

COLOREEL®

Installation Manual - Non Coloreel Stand

North America

EN	Installation manual	3-23
ES-MX	Manual de instalación	25-45
FR-CA	Manuel d'installation	47-67



Contents

1	Safety.....	4	5	Auto-Calibrating ITCU.....	14
1.1	Safety Alert Symbols and Signal Words.....	4	5.1	Introduction	14
1.2	General safety instructions.....	4	5.2	Auto-Calibration.....	14
1.3	Safety instructions for installation.....	4	5.3	To do an auto calibration.....	14
2	Installation.....	6	5.4	Performing a Nozzle check.....	15
2.1	Introduction.....	6	5.5	Performing a Head Angle Calibration.....	16
2.2	To assemble the Coloreel unit.....	6	5.5.1	To adjust the colors.....	16
2.3	To attach the product to different installations.....	6	5.6	Performing a Head Position Calibration.....	17
2.4	Transport Lock.....	10	5.7	Performing a Head Placement Calibration.....	18
3	Network Setup.....	11	5.8	Performing Calibration Report.....	19
3.1	Introduction	11	6	Stitch Count Settings.....	20
3.2	To connect a Coloreel ITCU to a network.....	11	6.1	Introduction.....	20
3.3	To connect a Coloreel ITCU to a local network.....	11	6.2	Managing CCP Settings.....	20
4	Priming ITCU.....	13	6.3	Aligning Stitch Count Settings.....	20
4.1	Using the Priming Function.....	13	7	Notes.....	22

1 Safety

1.1 Safety Alert Symbols and Signal Words

This Installation Manual contains Safety Alert Symbols, Notice Symbols and Signal Words. These symbols and words are pictured and explained below. Each Safety Alert Symbol, Notice Symbol and Signal Word points out hazards or provides other important information for the safe and proper installation of this Product.



WARNING: This Safety Alert Symbol and Signal Word indicate a hazardous situation that, if not avoided, could result in Death or Serious Injury.



CAUTION: This Safety Alert Symbol and Signal Word indicate a hazardous situation that, if not avoided, could result in Moderate or Minor Injury.



NOTICE: This Notice Symbol and Signal Word indicate important information.

1.2 General safety instructions



WARNING: Before beginning installation of this Product, carefully read, fully understand and follow each of the below General Safety Instructions; failing to do so could result in Death or Serious Injury to you or a bystander.

- Follow all safety messages and instructions in this Installation Manual, and all directions provided on the Product's touchscreen, while installing this Product.
- This Product creates an electromagnetic field during operation. This field may interfere with active or passive medical implants. Persons with medical implants should consult their physician before attempting installation of this Product.
- This Product's cables carry electrical voltage. Exposure to electrical voltage may cause electrical shock. Do not touch this Product's cables when the Product is plugged in.
- This Installation Manual contains safety messages and maintenance instructions required to be followed after installation is complete. Do not discard this Installation Manual. Maintain this Installation Manual in a dry, easy-to-find location.
- If you have any question about any safety message or instruction contained in this Installation Manual, contact Coloreel Support at <https://www.coloreel.com/support> before beginning installation of this Product.

1.3 Safety instructions for installation



WARNING: Before beginning installation of this Product, carefully read, fully understand and follow each of the below Safety Instructions for Installation; failing to do so could result in Death or Serious Injury to you or a bystander.



WARNING: Read the warning instructions that follow before you install the floor stand and the Coloreel unit.

- This Product is to be installed only by trained service technicians.
- Several parts of this Product are large or heavy, and certain steps in installing this Product require at least three trained service technicians. This Product is to be installed with a minimum of three trained service technicians.
- Safe installation and operation of this Product requires that each step in installing this Product be performed in the manner instructed in this Installation Manual.

NOTICE **NOTICE:** All directions in this Instruction Manual — such as “left,” “right,” “front” and “rear” — are provided from the perspective of a person facing the as-assembled Product.

2 Installation

2.1 Introduction



WARNING: Be careful when installing the Coloreel unit. Risk of crush injuries.



CAUTION: Ensure the Coloreel unit is installed at an angle not deviating more than 3° from the horizontal plane.



CAUTION: The distance between the Coloreel unit and embroidery needle should be as short as possible for best color precision. The length of the thread between the output and the needle should not exceed 100 cm.



CAUTION: Install the Coloreel unit so that the angle of the thread between the Coloreel unit and embroidery machine does not deviate more than 10° from the vertical axis.

2.2 To assemble the Coloreel unit

What you need:

Name	Amount
Bolt, M10, minimum grade 8.8	4
Nut, M10	8
Washer, 10.5x20x2, minimum grade 8	8

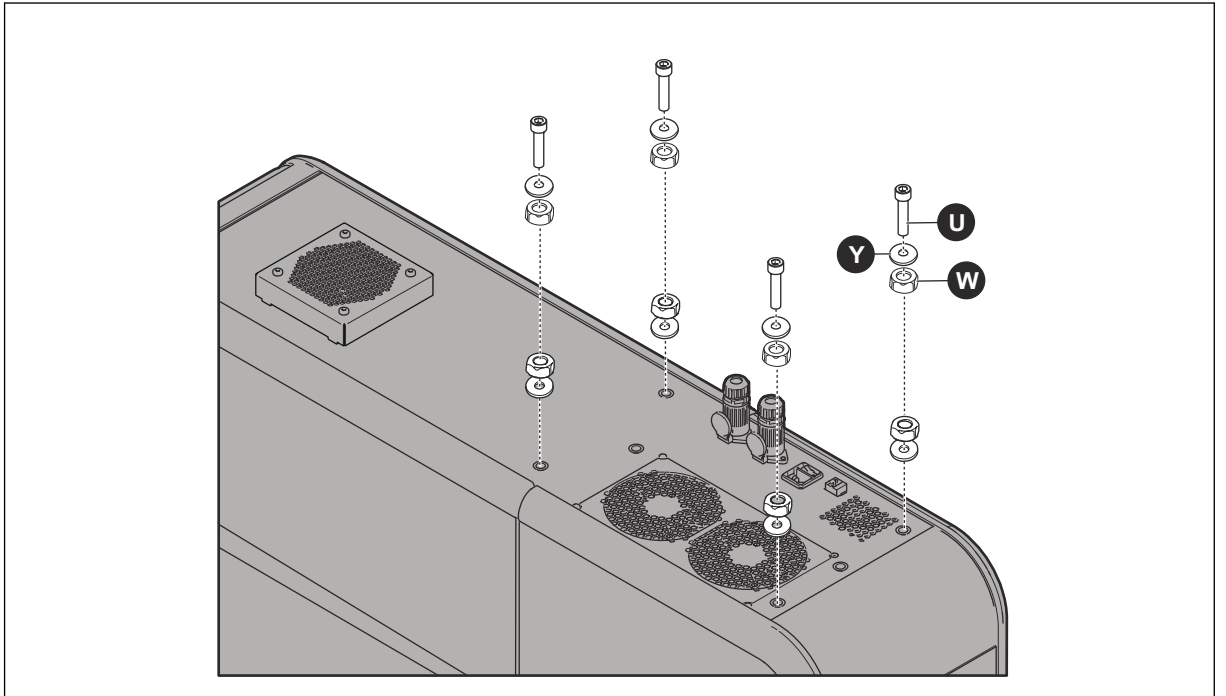
NOTICE

NOTICE: The Coloreel unit must be installed in a space with a minimum distance of 260 cm between the floor and the roof.

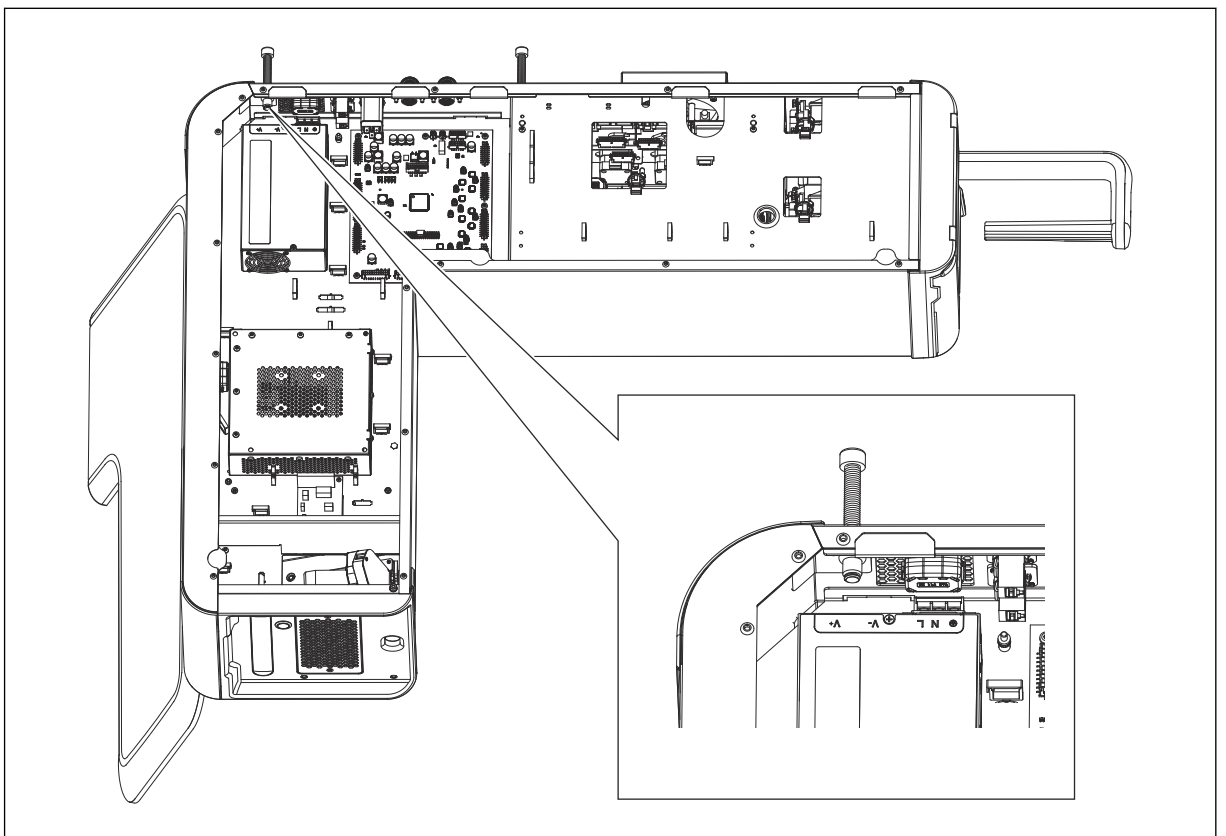
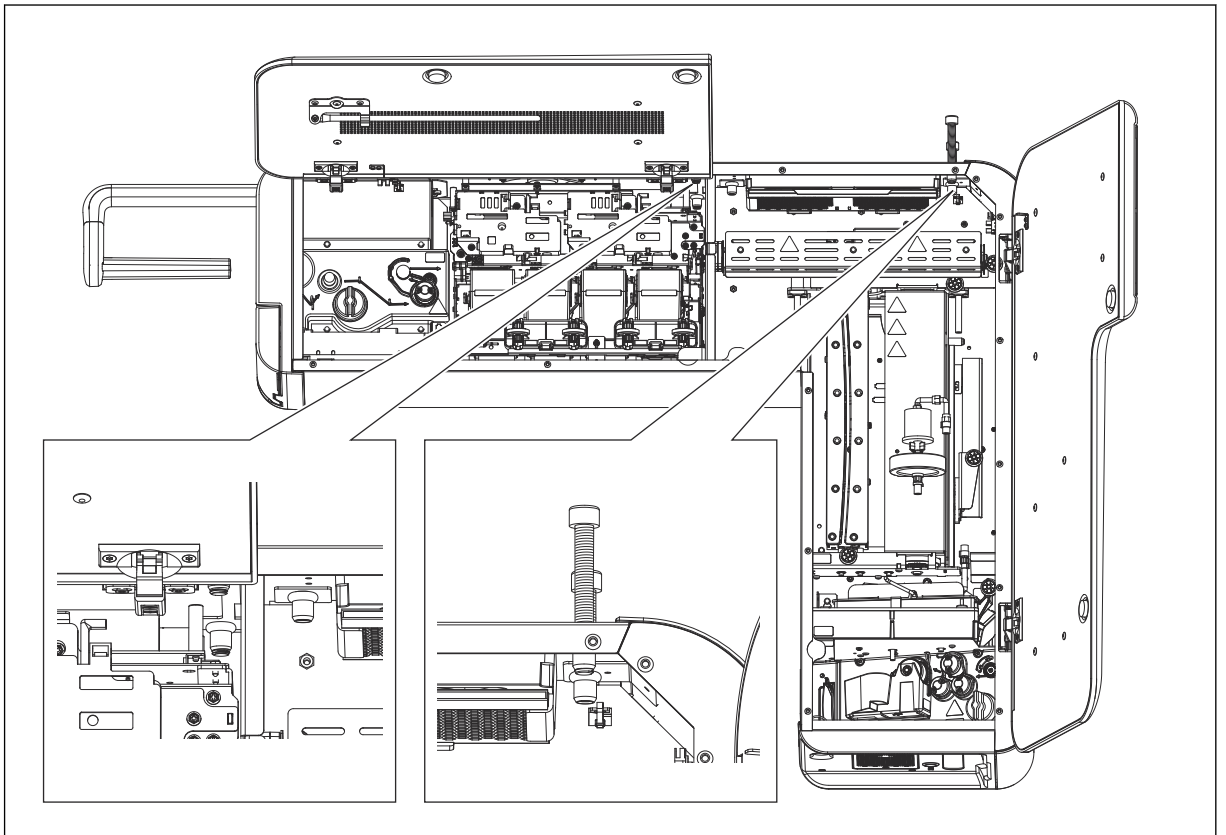
2.3 To attach the product to different installations

1. Remove the detachable doors on the Coloreel unit.

2. Install the bolts (U), the washers (Y) and the nuts (W) to the frame plate of the product.

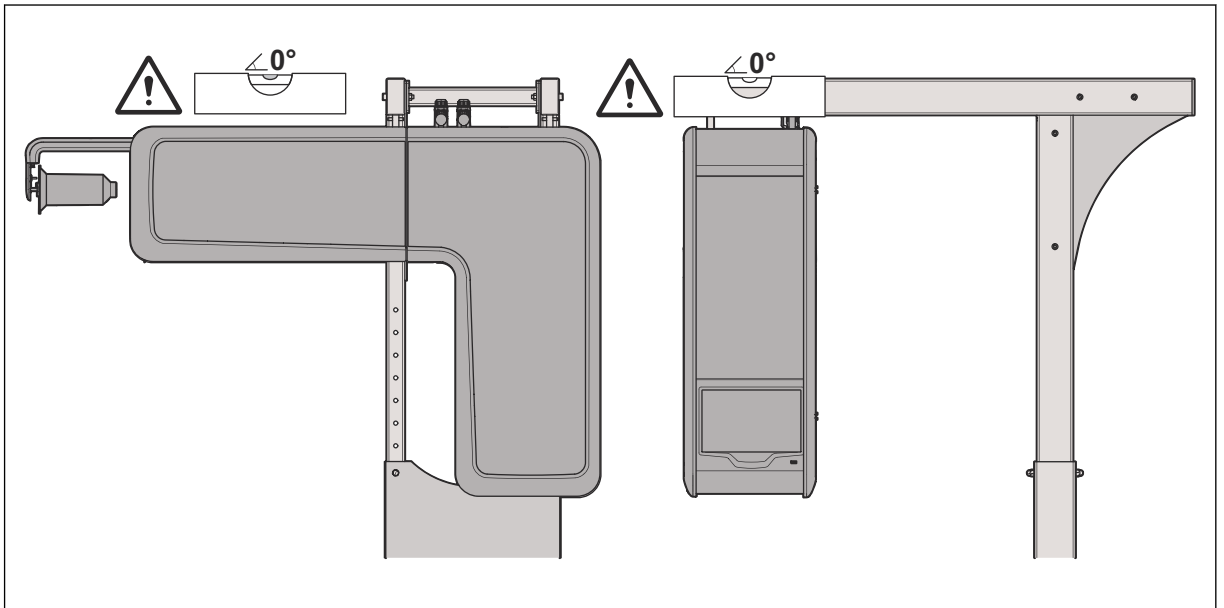


3. Make sure that all bolts are through the holes and can be seen from the inside of the unit.

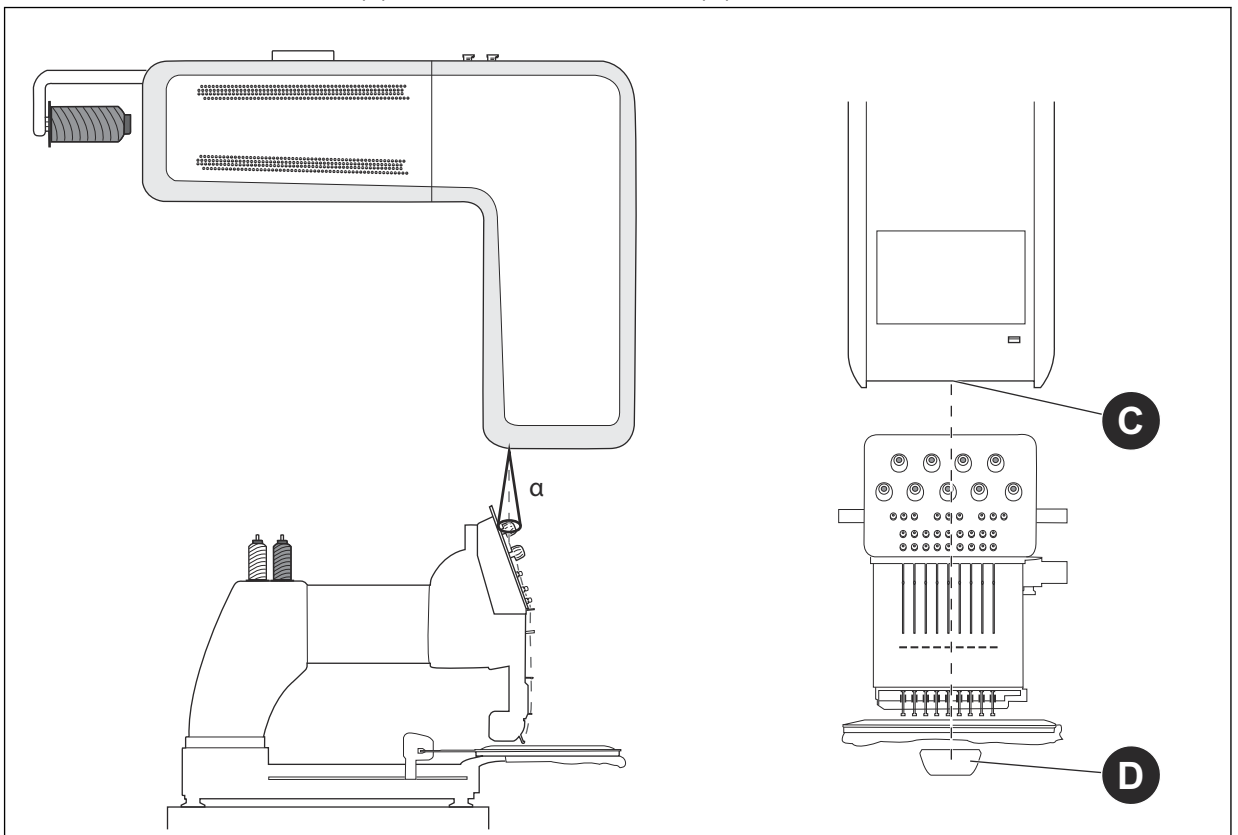


4. If you have an optional lifting equipment, read the instructions for it before use.

5. Put a spirit level on top of the product and adjust the bolts to level the Coloreel unit.



6. Place a spirit level on the side of the product and adjust the bolts to level the Coloreel unit.
7. Lock and secure the Coloreel unit with the nuts in step 1 above.
8. Install the detachable doors on the Coloreel unit and assemble the thread reel.
9. Put the embroidery machine in place and make sure that the thread is vertically aligned with the inlet of the thread on the embroidery machine. The angle on the thread should not deviate more than 10° from the vertical line (α) of the ITCU thread outlet (C).

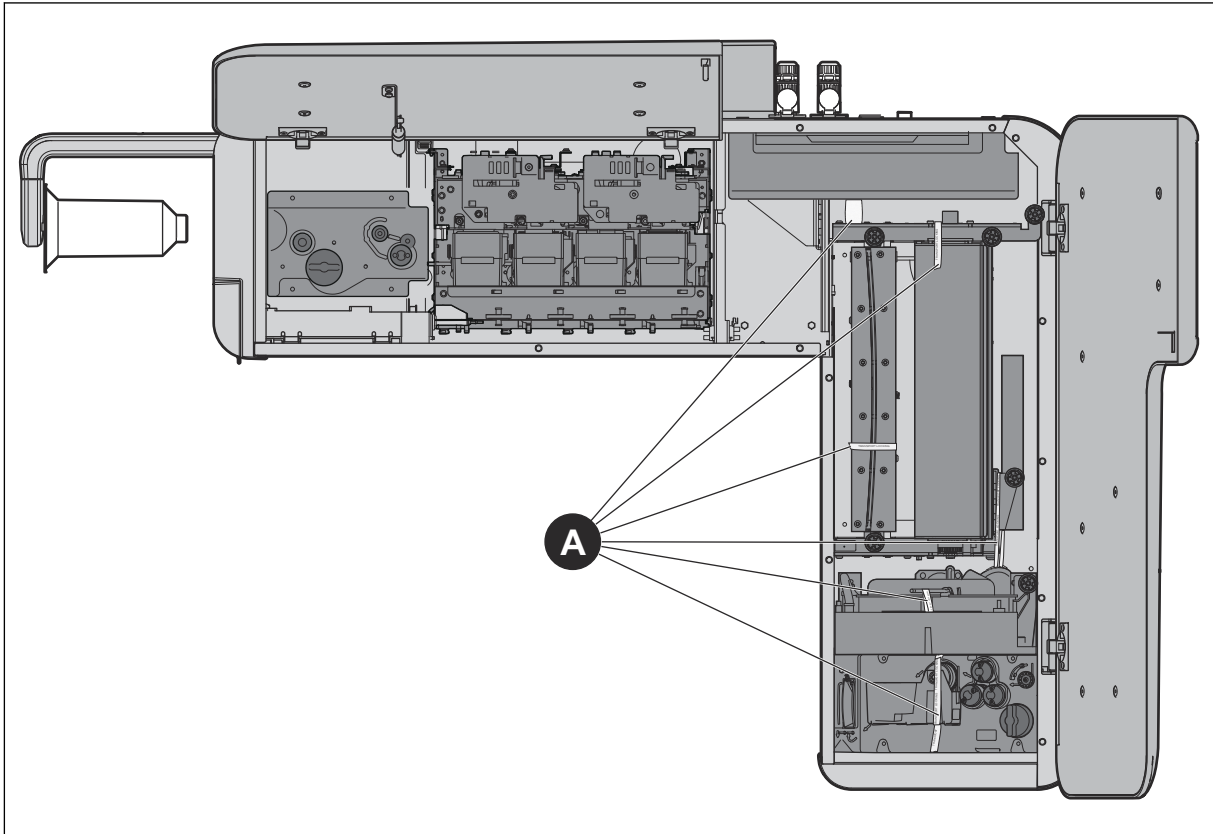


10. Make sure that the thread is vertically aligned between the thread outlet (C) and the center of the under thread arm (D).

2.4 Transport Lock

Open ITCU's front door and carefully remove all 6 Transport Locks. After removing all 6 Transport Locks, securely close ITCU's front door.

NOTICE **NOTICE:** Before installing the ITCU to a network, or attempting operation of the unit, all Transport Locks must be removed; failure to do so will result in damage to this Product.



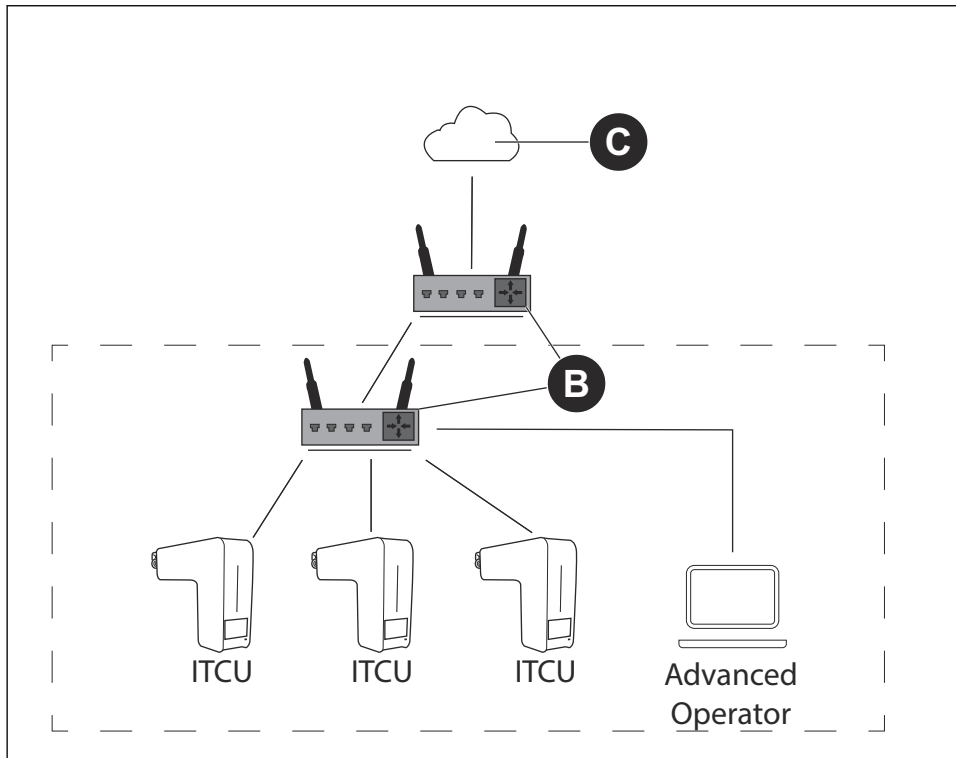
3 Network Setup

3.1 Introduction

To use the ITCU, you must install it to a network. We recommend you install the unit to an Internet-connected network to make sure you can access the latest software updates. If that is not possible, you can connect the ITCU through a local network.

3.2 To connect a Coloreel ITCU to a network

Make sure you have a Router, access to the Internet and a Computer to access the ITCU. The ITCU will have a separate network inside the company network.



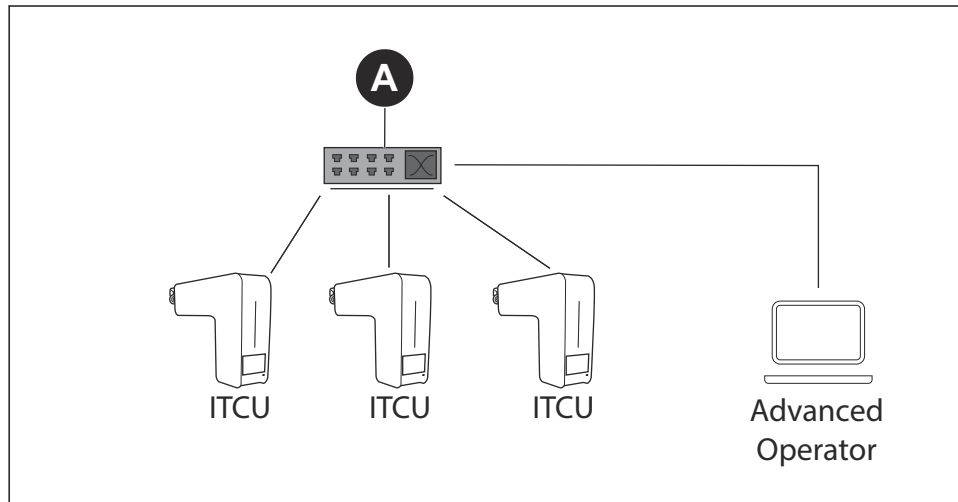
1. Connect the ITCU to the Router (B). Connect the ethernet cable to a private connector.

NOTICE **NOTICE:** If your production site has closed network for production, use the public connector that is connected to the internet for a software update.

2. Connect the computer to the network with internet access (C).
3. Identify the ITCU's IP address.
4. Log on to the ITCU. Refer to the *Full Operator Manual*.

3.3 To connect a Coloreel ITCU to a local network

Make sure that you have a Switch/Router (A) and a Computer to access the ITCU.



1. Connect the ITCU to the Switch/Router (A). Connect the ethernet cable to a private connector.

NOTICE **NOTICE:** If your production site has closed network for production, use the public connector that is connected to the internet for a software update.

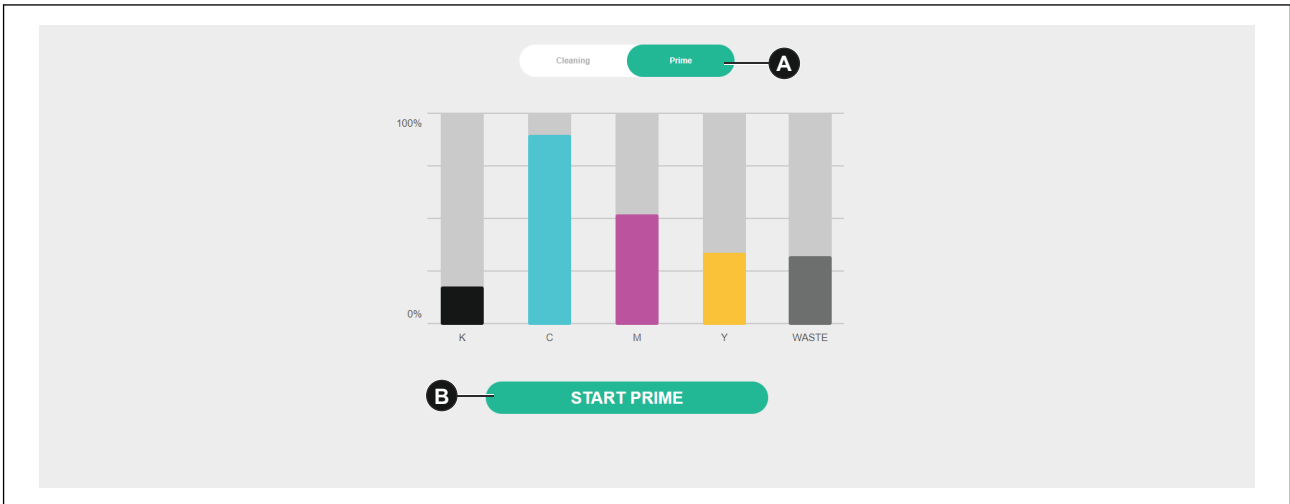
2. Connect the Computer to the Switch/Router (A).
3. Set a static IP for the ITCU. If you do not know how to set a static IP, consult your IT Department.
4. Log on to the ITCU. Refer to the *Full Operator Manual*.

4 Priming ITCU

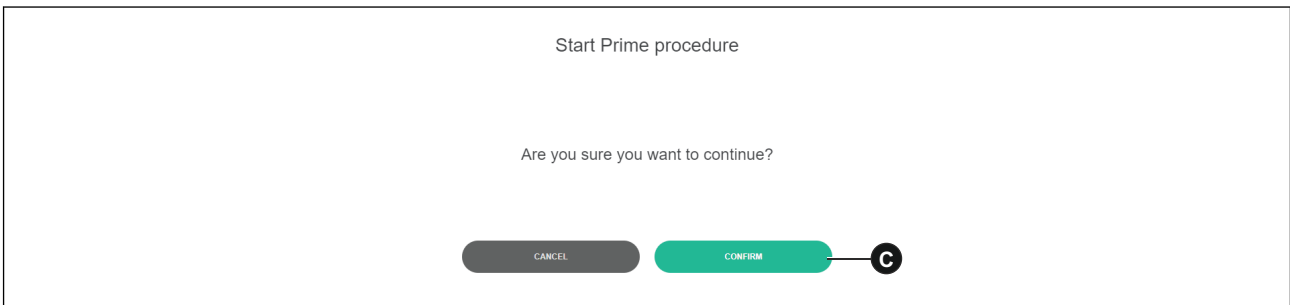
4.1 Using the Priming Function

The Priming Function must be used before operating the ITCU for the first time. Priming can be done by a Coloreel approved service technician, with *Technician* login credentials.

1. Install all Color Cartridges before starting the ITCU. Refer to the *Full Operator Manual*.
2. Make sure the ITCU's Waste Tank is empty.
3. In the operator panel, select *Maintenance*.
4. Select *Prime* (A).



5. Click on the *Start prime* button (B).
6. Click in the *Confirm* button (C). The prime procedure starts.



5 Auto-Calibrating ITCU

5.1 Introduction

Auto-Calibration can be done by a Coloreel approved service technician, with *Technician* login credentials.



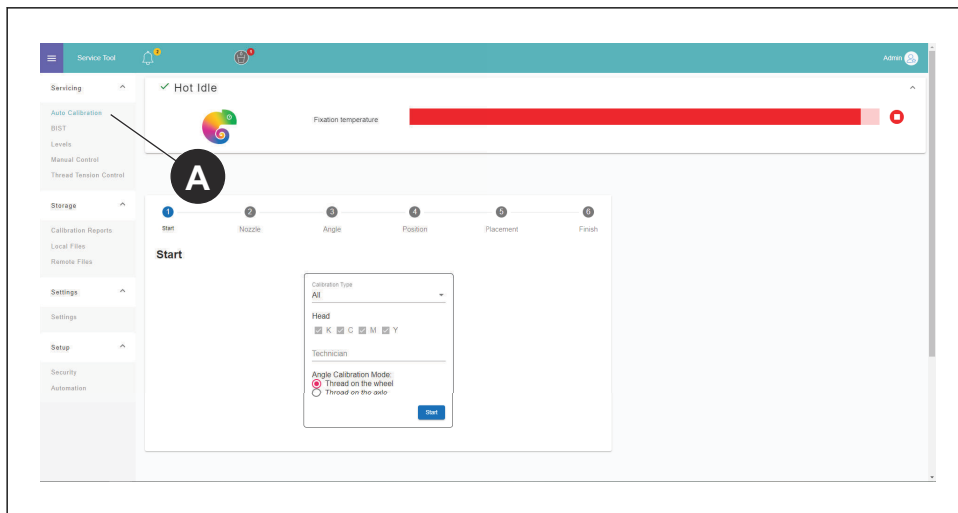
WARNING: Performing auto-calibration functions with the ITCU first requires the unit be threaded. Before attempting to thread the ITCU, carefully read, fully understand and follow each instruction contained in Sections 2 and 4 of the ITCU's Operator's Manual. Failing to carefully read, fully understand and follow each instruction contained in Sections 2 and 4 of the ITCU's Quick Start Guide and Full Operator's Manual before attempting to thread the unit could result in Death or Serious Injury to you or a bystander.

NOTICE

NOTICE: Performing any auto-calibration function with the ITCU without the unit being threaded could result in damage to this Product or to other property.

5.2 Auto-Calibration

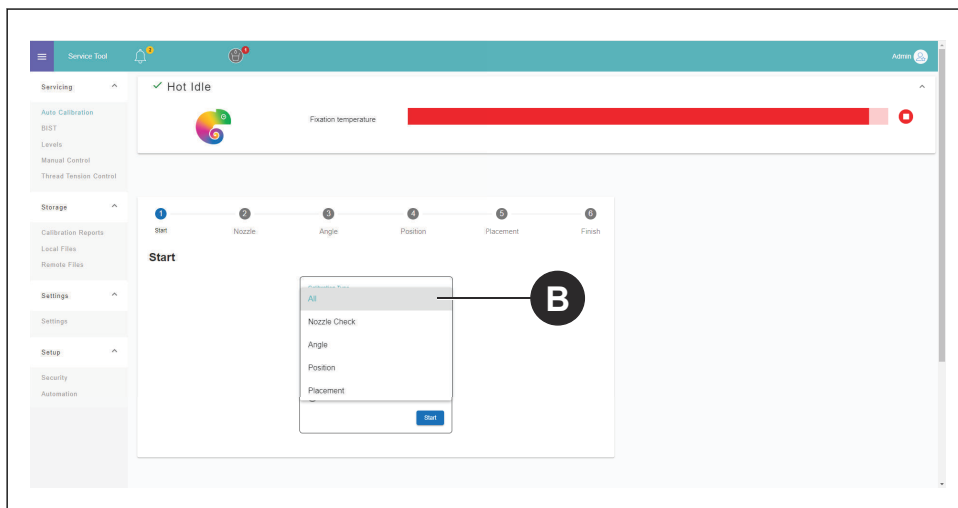
From the Auto Calibration tab (A), the ITCU's print heads can be calibrated so ink is correctly applied to the thread.



5.3 To do an auto calibration

Auto-calibration can be performed in different ways. The *All* calibration mode will calibrate all colors. Other calibration modes can separately calibrate individual colors.

1. At the Auto-Calibration page, select calibration mode *All* from the drop-down list (B).

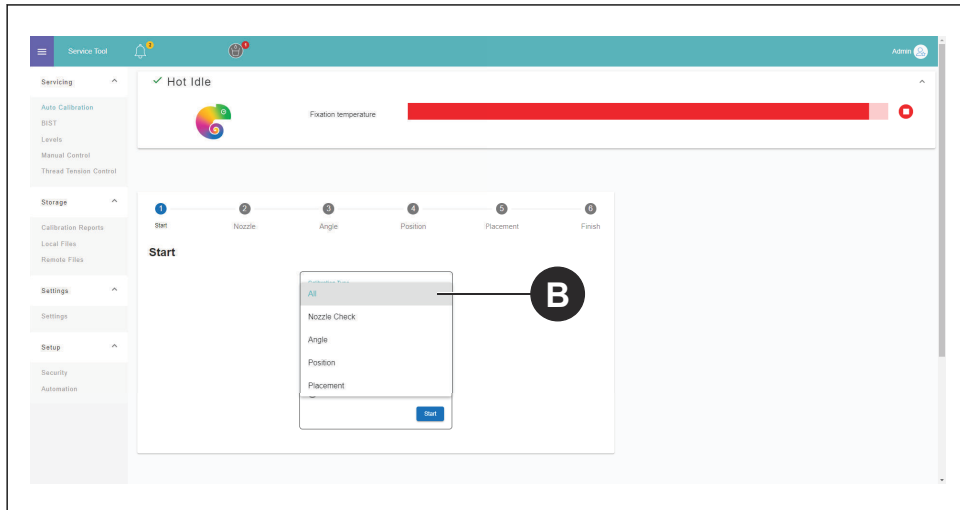


2. Press **Start** and allow the auto-calibration finish.

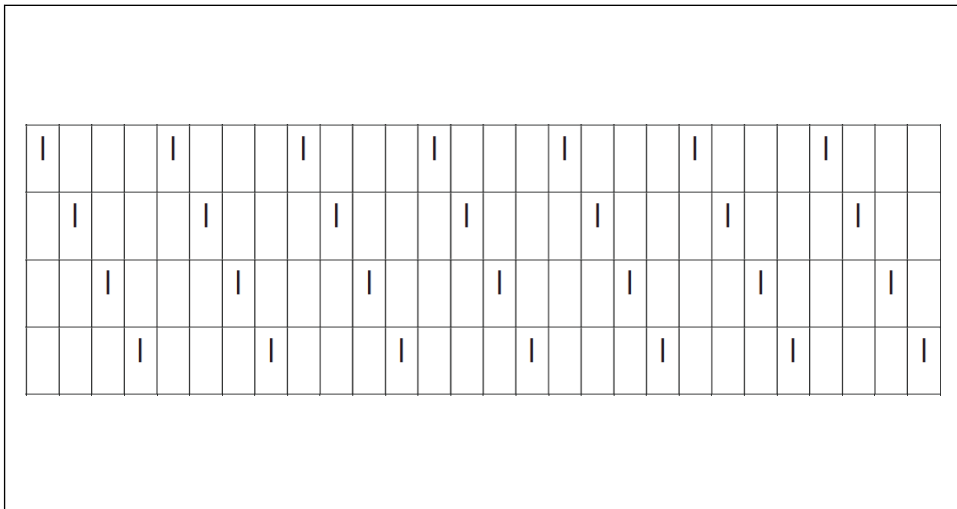
NOTICE NOTICE: The ITCU enters *Service Mode* and warms up, when you start the auto calibration.

5.4 Performing a Nozzle check

1. At the Auto-Calibration page, select *Nozzle Check* from the drop-down list (B).

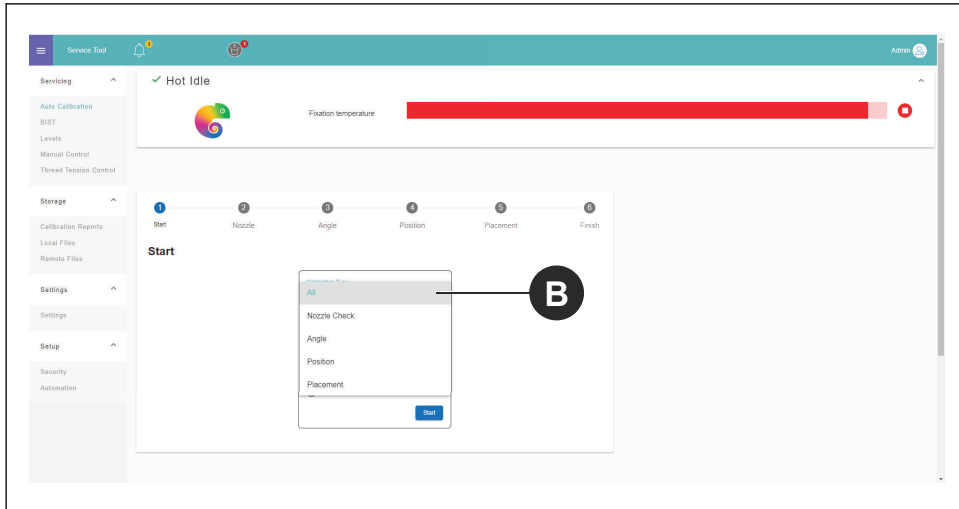


2. Press **Start**.
3. Hold a piece of paper between the thread and the nozzle head.
4. Pull the paper against you and at the same time, pull the thread in the direction of the thread feed.
5. Make sure that there is color on each section.

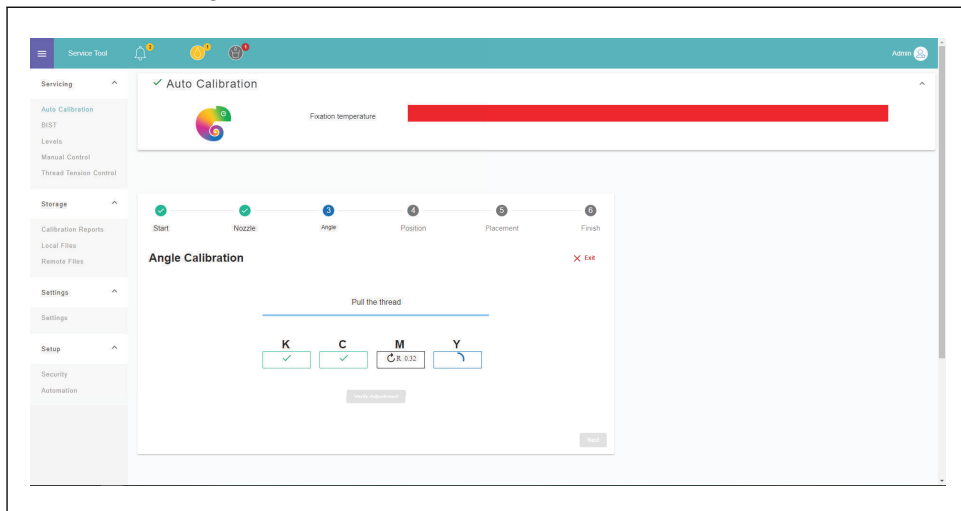


5.5 Performing a Head Angle Calibration

1. At the Auto-Calibration page, select *Head Angle Calibration* from the drop-down list (B).



2. Press **Start**.
3. Pull the thread.
4. Adjust the colors showing a deviation on the



screen.

NOTICE **NOTICE:** For information on how to adjust the colors physically on the ITCU refer to, [5.5.1](#).

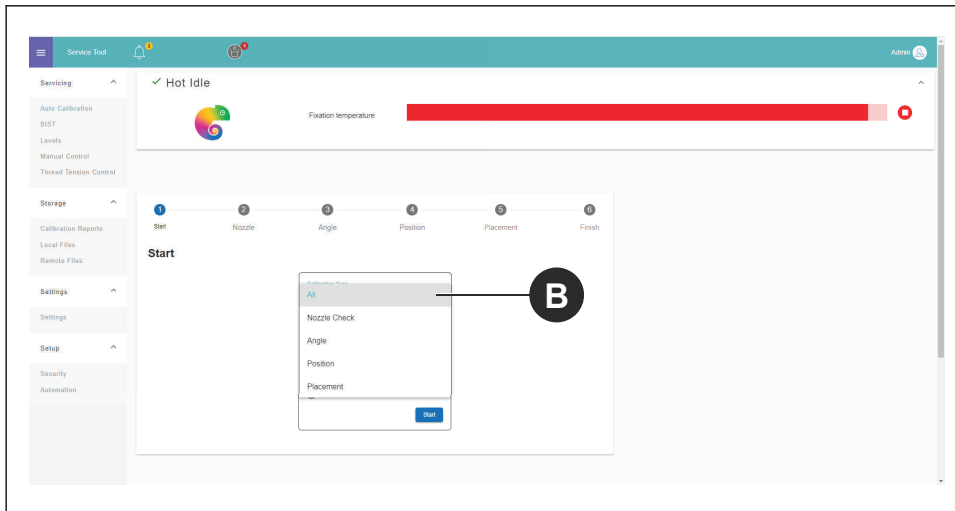
5. Pull the thread again to do a calibration of the adjusted color(s).

5.5.1 To adjust the colors

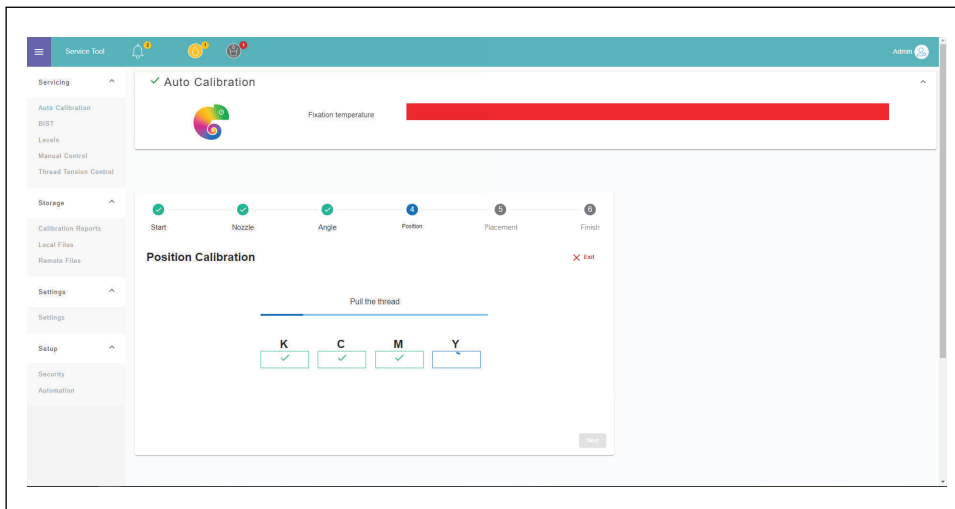
1. Loosen the lock screws 2.5 turns on the print head for the color that you want to adjust.
2. Adjust the adjuster screw in accordance with the given value on the screen. L is counter clockwise and R is clockwise.
3. Tighten the lock screws to a force of 0.35 Nm.

5.6 Performing a Head Position Calibration

1. At the Auto-Calibration page, select *Head Position Calibration* from the drop-down list (B).

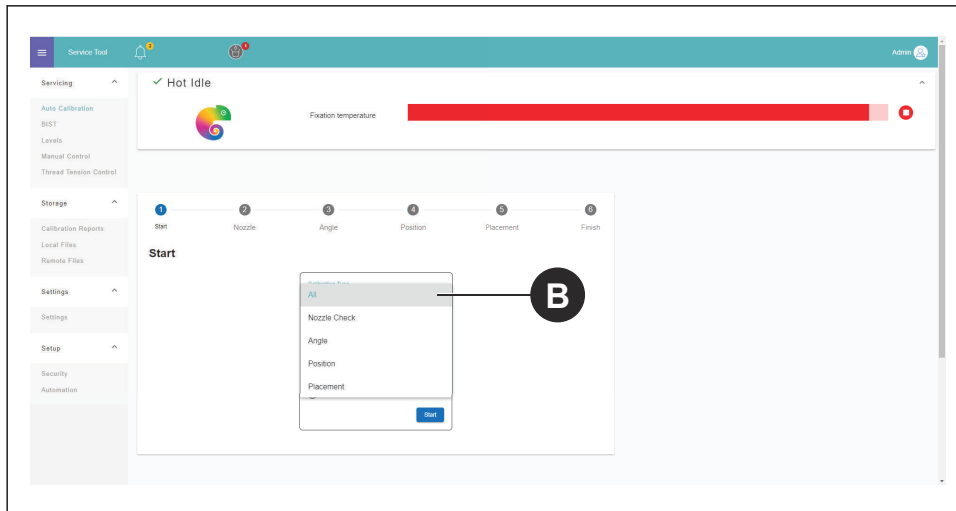


2. Press **Start**.
3. Pull the thread.
4. All colors are calibrated at the same time and the position of each head are saved in the *Config File*.

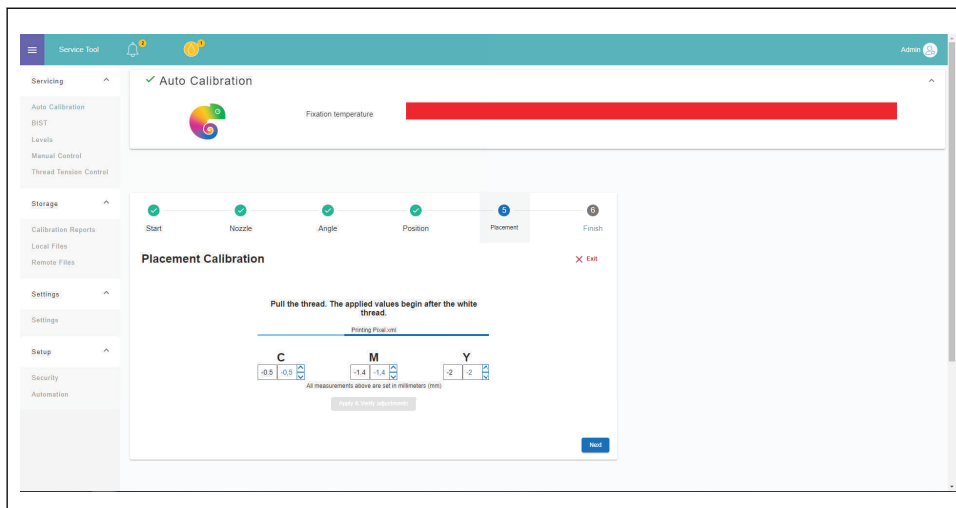


5.7 Performing a Head Placement Calibration

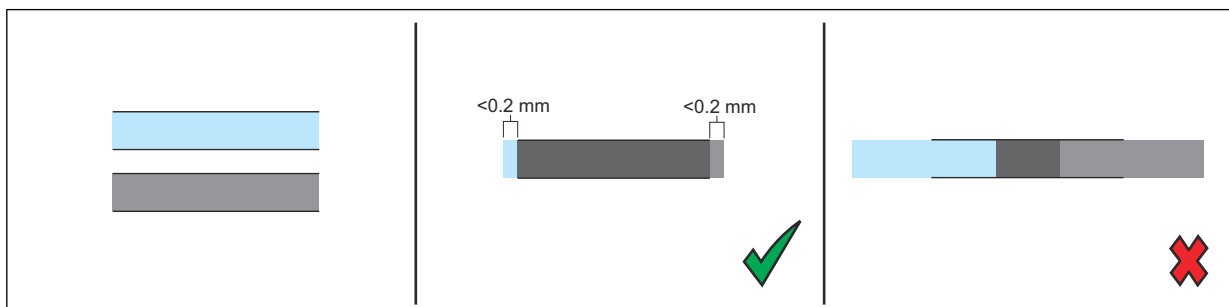
1. At the Auto-Calibration page, select *Head Placement Calibration* from the drop-down list (B).



2. Press **Start**.
3. Pull the thread. A pattern of two colors is put on the thread.

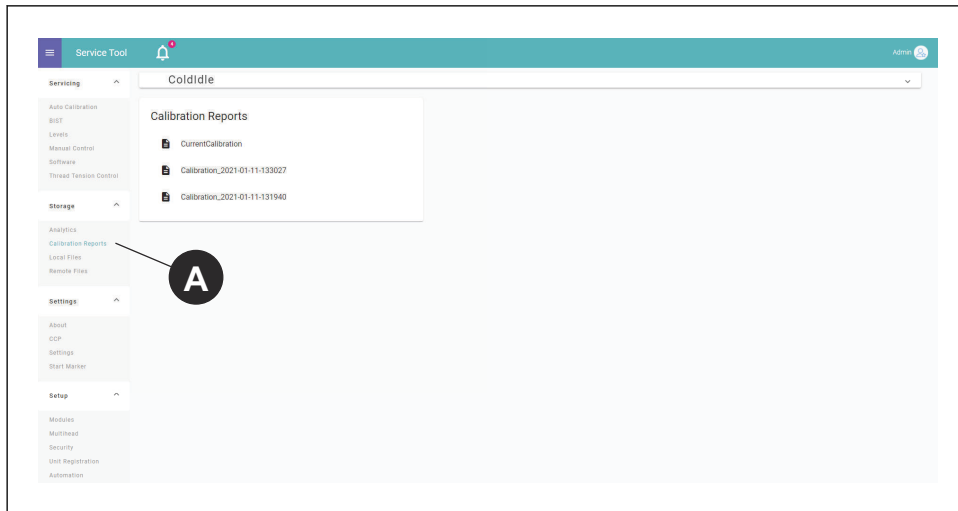


4. Make sure that the colors are put on top of each other, with a maximum deviation gap that is less than 0.2 mm on each side.



5.8 Performing Calibration Report

1. Select *Calibration reports (A)* from the side bar menu.



2. Click on the report that you want to display.

6 Stitch Count Settings

6.1 Introduction

To improve Color Change Precision, CCP, you need to add the stitch count information from the embroidery machine into the *Settings* for the ITCU. Input information that is required to set the parameters correctly:

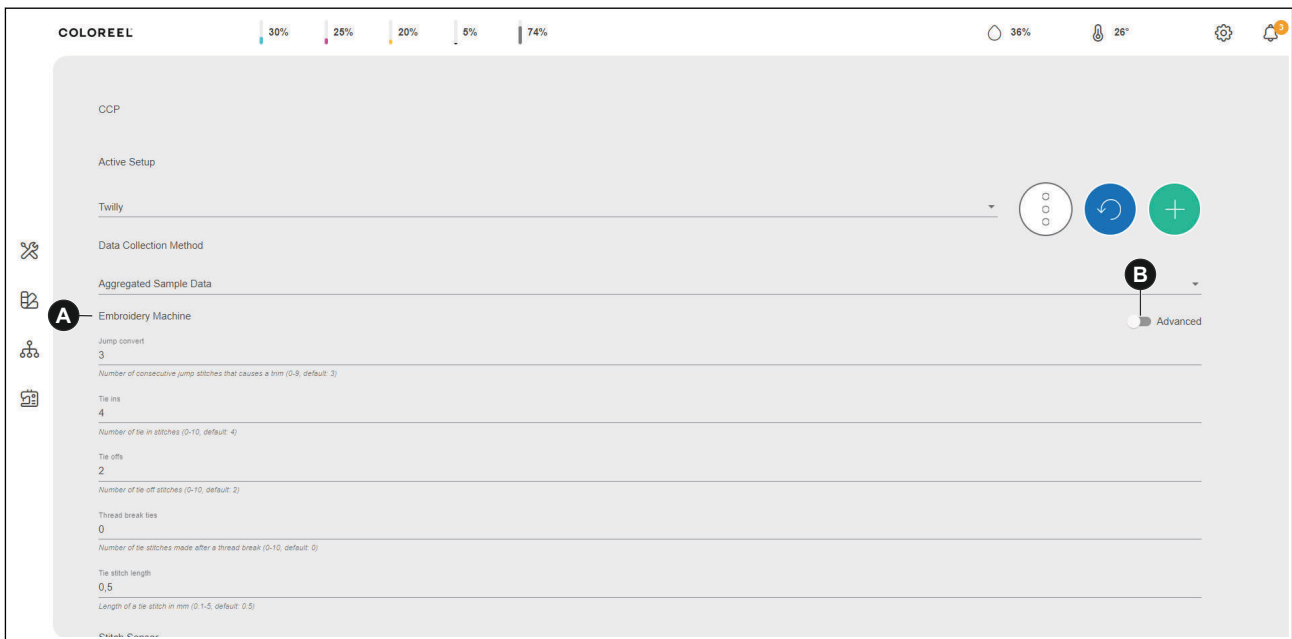
Jump convert	Number of consecutive jump stitches that causes a trim (0-9, default: 3)
Tie ins	Number of tie in stitches (0-10, default: 4)
Tie offs	Number of tie off stitches (0-10, default: 2)
Thread break ties	Number of tie stitches made after a thread break (0-10, default: 0)
The stitch length	Length of a tie stitch in mm (0.1-5, default: 0.5)
Remove DST stitches without any length (default: on)	ON/OFF
Stitch sensor mounted on main shaft	ON/OFF
Additional main shaft rotations during trim	Number of main shaft rotations that occur during trim excluding tie stitches (0-5, default: 1)
Additional main shaft rotations during color change	Number of main shaft rotations that occur during color change excluding tie stitches (0-5, default: 2)

6.2 Managing CCP Settings

1. Select *Settings*.
2. Select *Color Change Precision* in the settings menu.

6.3 Aligning Stitch Count Settings

1. Select *Settings*.
2. Select *Color Change Precision* in the settings menu.
3. Add the input data in the fields below *Embroidery machine* (A).



4. To add the advanced settings, select (B) button and add the input data.

NOTICE **NOTICE:** If you are unsure of the stitch count settings for the embroidery machine being used with the ITCU, consult your embroidery machine's manual.

7 Notes

Contents

8 Seguridad.....	26	12 Calibración automática de la ITCU.....	36
8.1 Símbolos de alerta de seguridad y palabras de señalización.....	26	12.1 Introducción	36
8.2 Instrucciones generales de seguridad....	26	12.2 Calibración automática.....	36
8.3 Instrucciones de seguridad para la instalación.....	26	12.3 Realizar una calibración automática.....	36
9 Instalación.....	28	12.4 Realizar un chequeo de boquilla.....	37
9.1 Introducción.....	28	12.5 Realizar una calibración del ángulo de cabezal.....	38
9.2 Montaje de la unidad Coloreel.....	28	12.5.1 Para ajustar los colores.....	39
9.3 Fijación del producto en diferentes instalaciones.....	28	12.6 Realizar una calibración de la posición del cabezal.....	39
9.4 Bloqueo de transporte.....	32	12.7 Realizar una calibración de la colocación del cabezal.....	40
10 Configuración de la red.....	33	12.8 Realizar el informe de calibración.....	41
10.1 Introducción	33	13 Configuración del recuento de puntadas.....	42
10.2 Conexión de una Coloreel ITCU a una red.....	33	13.1 Introducción.....	42
10.3 Conexión de una Coloreel ITCU a una red local.....	33	13.2 Gestión de la configuración de CCP.....	42
11 Purgado de la ITCU.....	35	13.3 Alineación de la configuración del recuento de puntadas.....	42
11.1 Uso de la función de purgado.....	35	14 Notas.....	44

8 Seguridad

8.1 Símbolos de alerta de seguridad y palabras de señalización

Este manual de instalación contiene símbolos de alerta de seguridad, símbolos de aviso y palabras de señalización. Estos símbolos y palabras se ilustran y explican a continuación. Cada símbolo de alerta de seguridad, símbolo de aviso y palabra de señalización advierte de los peligros o facilita otra información importante para la instalación segura y correcta de este producto.



WARNING: Este símbolo de alerta de seguridad y la palabra de señalización indican una situación peligrosa que, si no se evita, podría provocar la muerte o lesiones graves.



CAUTION: Este símbolo de alerta de seguridad y la palabra de señalización indican una situación peligrosa que, si no se evita, podría provocar lesiones moderadas o leves.



NOTICE: Este símbolo de aviso y esta palabra de señalización indican información importante.

8.2 Instrucciones generales de seguridad



WARNING: Antes de comenzar la instalación de este producto, lea atentamente, comprenda por completo y siga cada una de las siguientes Instrucciones generales de seguridad; de no hacerlo, usted o cualquier otra persona podría sufrir lesiones graves o incluso la muerte.

- Siga todos los mensajes e instrucciones de seguridad de este Manual de instalación, así como todas las indicaciones que aparecen en la pantalla táctil del producto, mientras lo instala.
- El producto crea un campo electromagnético durante su funcionamiento. Este campo puede interferir con implantes médicos pasivos o activos. Las personas que lleven implantes médicos deben consultar a su médico antes de intentar instalar este producto.
- Los cables de este producto transportan tensión eléctrica. La exposición a la tensión eléctrica puede provocar una descarga eléctrica. No toque los cables del producto cuando este se encuentre enchufado.
- Este Manual de instalación contiene mensajes de seguridad e instrucciones de mantenimiento que deben seguirse una vez finalizada la instalación. No tire este Manual de instalación. Mantenga este Manual de instalación en un lugar seco y al alcance de la mano.
- Si tiene alguna duda sobre cualquier mensaje o instrucción de seguridad que aparezca en este Manual de instalación, póngase en contacto con el servicio de asistencia de Coloreel en <https://www.coloreel.com/support> antes de comenzar la instalación de este producto.

8.3 Instrucciones de seguridad para la instalación



WARNING: Antes de comenzar la instalación de este producto, lea cuidadosamente, comprenda por completo y siga cada una de las siguientes instrucciones de seguridad para la instalación; de no hacerlo, usted o cualquier otra persona podría sufrir lesiones graves o incluso la muerte.



WARNING: Lea las siguientes instrucciones de advertencia antes de instalar el soporte de suelo y la unidad Coloreel.

- Este producto debe ser instalado únicamente por técnicos de servicio capacitados.
- Algunos componentes de este producto son grandes o pesados, y ciertos pasos de la instalación requieren al menos tres técnicos de servicio capacitados. Este producto debe ser instalado por un mínimo de tres técnicos de servicio capacitados.
- La instalación y el funcionamiento seguros de este producto requieren que cada paso de la instalación se realice de la manera indicada en este Manual de instalación.

NOTICE **NOTICE:** Todas las indicaciones que aparecen en este Manual de instrucciones (como "izquierda", "derecha", "delantero" y "trasero") se proporcionan desde la perspectiva de una persona que mira el producto montado.

9 Instalación

9.1 Introducción



WARNING: Tenga cuidado al instalar la unidad Coloreel. Hay riesgo de lesiones por aplastamiento.



CAUTION: Asegúrese de que la unidad Coloreel esté instalada en un ángulo que no se desvíe más de 3° del plano horizontal.



CAUTION: La distancia entre la unidad Coloreel y la aguja de bordado debe ser lo más corta posible para obtener la mejor precisión de color. La longitud del hilo entre la salida y la aguja no debe superar los 100 cm.



CAUTION: Instale la unidad Coloreel de manera que el ángulo del hilo entre la unidad Coloreel y la máquina de bordado no se desvíe más de 10° del eje vertical.

9.2 Montaje de la unidad Coloreel

Elementos necesarios:

Nombre	Cantidad
Perno, M10, grado mínimo 8.8	4
Tuerca, M10	8
Arandela, 10,5x20x2, grado mínimo 8	8

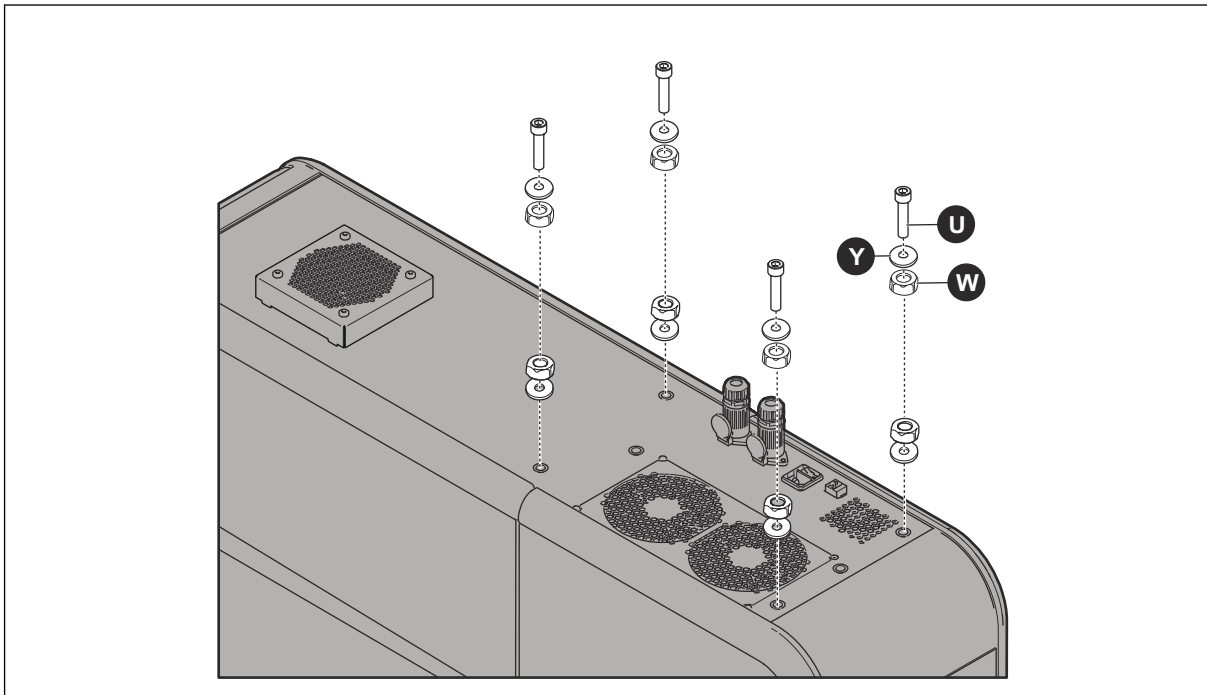
NOTICE

NOTICE: La unidad Coloreel debe instalarse en un espacio con una distancia mínima de 260 cm entre el suelo y el techo.

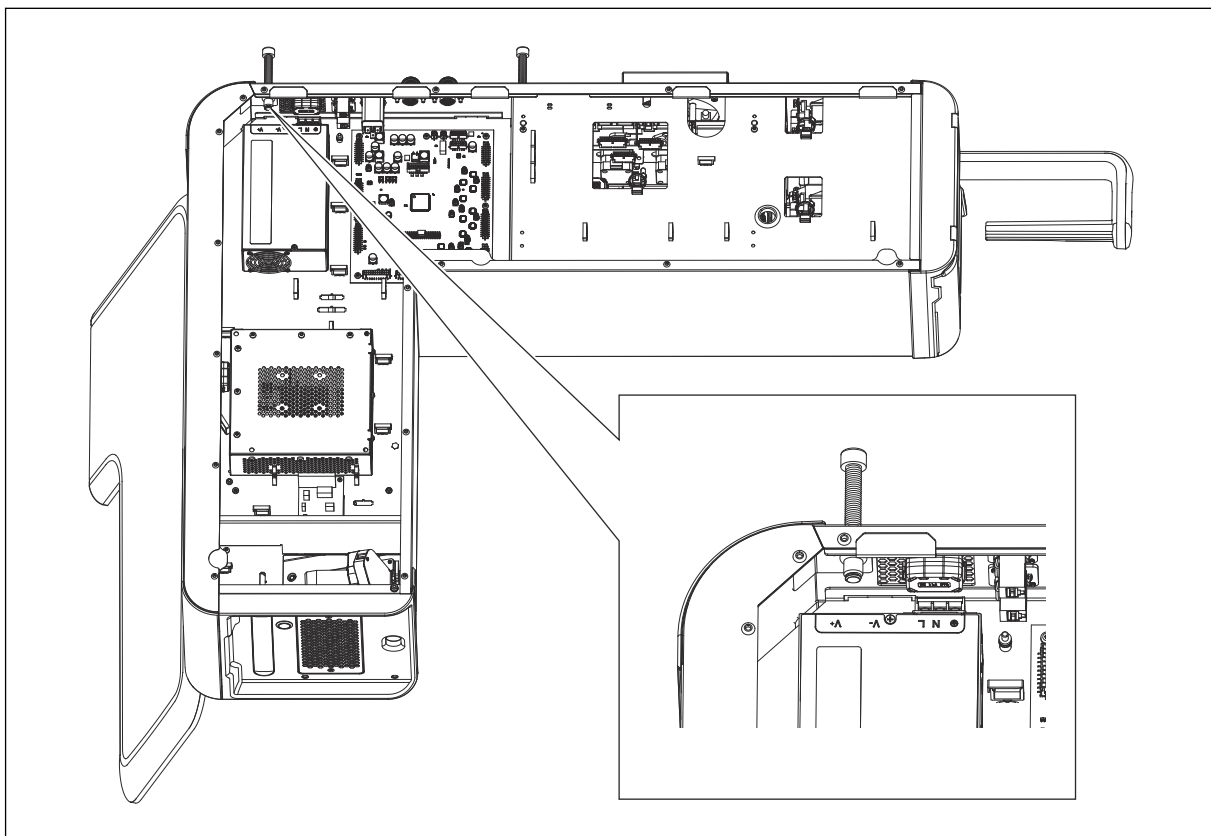
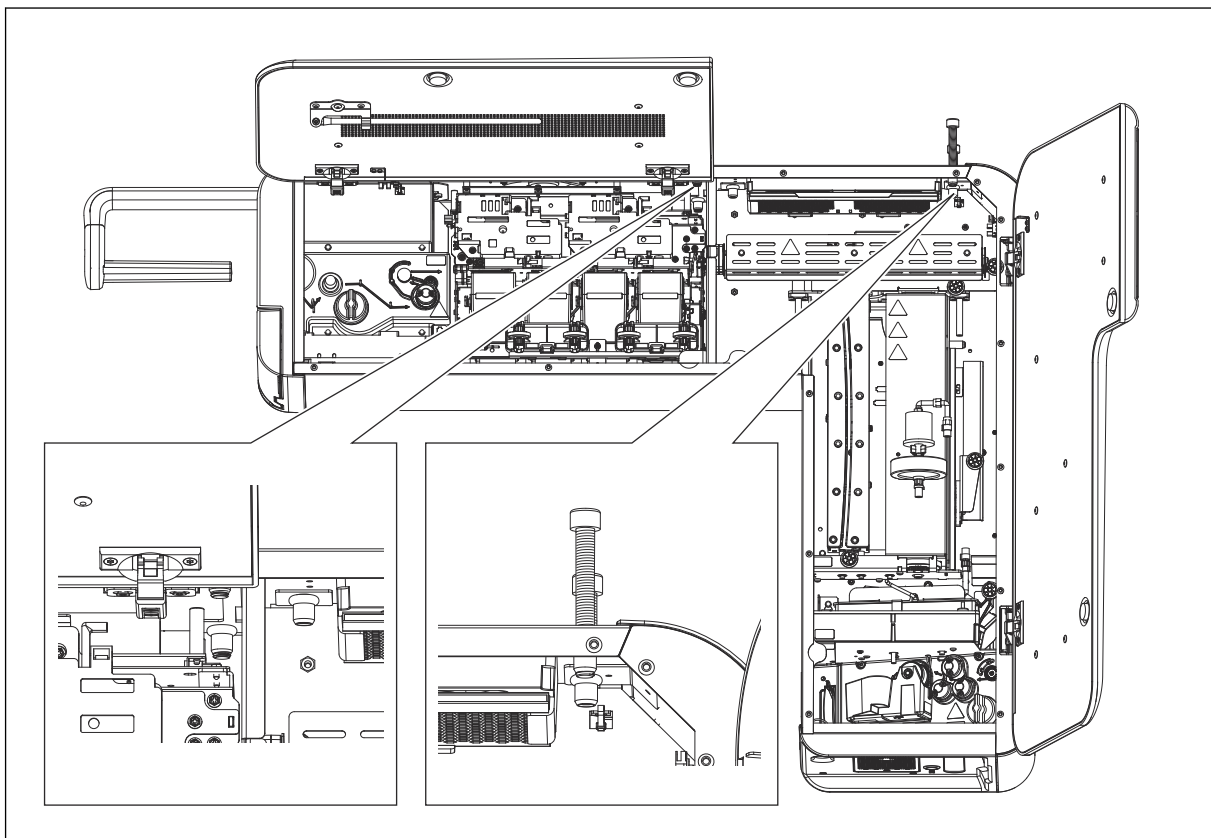
9.3 Fijación del producto en diferentes instalaciones

1. Retire las puertas desmontables de la unidad Coloreel.

2. Instale los pernos (U), las arandelas (Y) y las tuercas (W) en la placa del bastidor del producto.

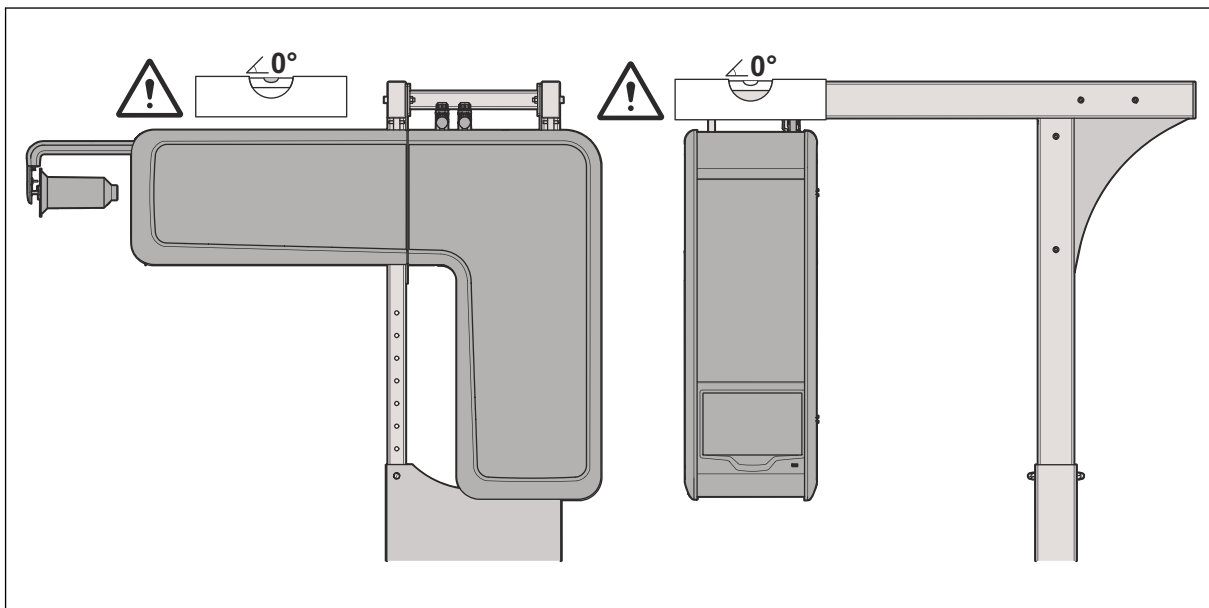


3. Asegúrese de que todos los pernos pasen por los agujeros y puedan verse desde el interior de la unidad.

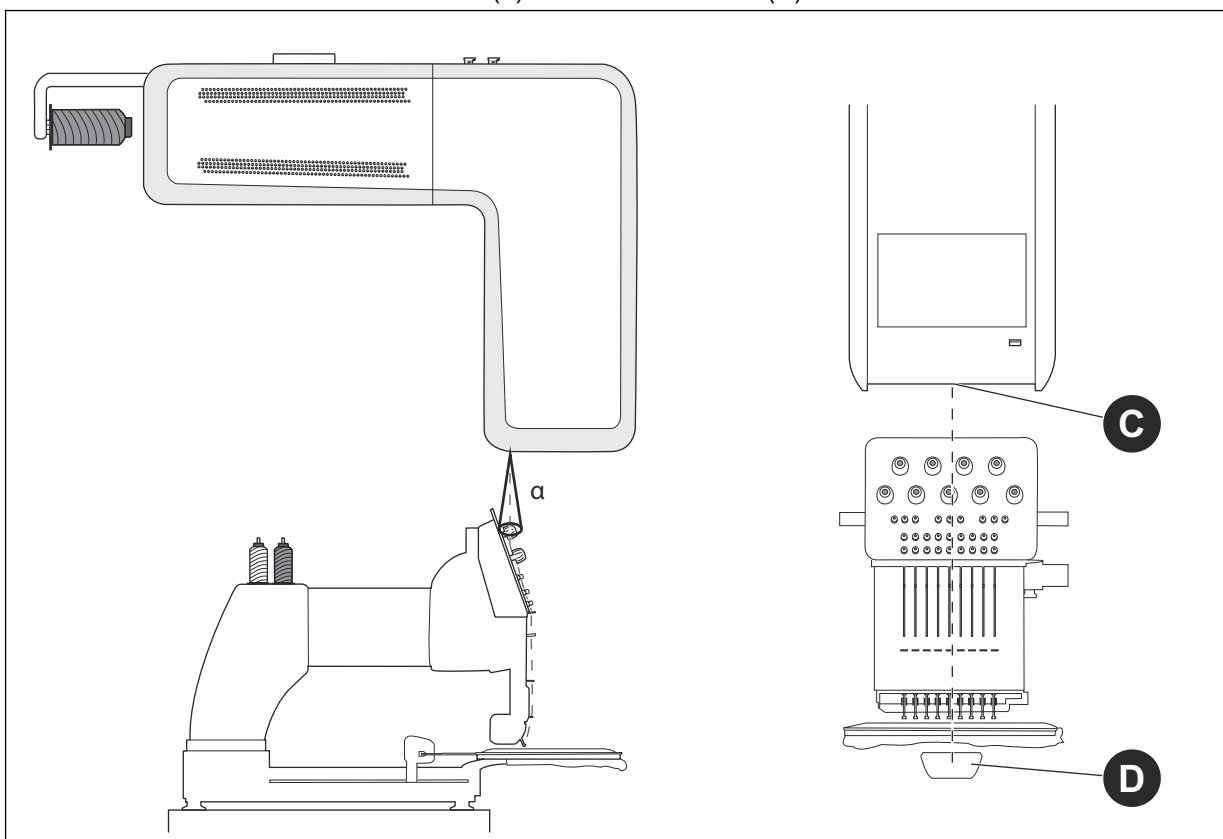


4. Si dispone de un equipo de elevación opcional, lea las instrucciones correspondientes antes de utilizarlo.

5. Coloque un nivel de burbuja en la parte superior del producto y ajuste los pernos para nivelar la unidad Coloreel.



6. Coloque un nivel de burbuja en el lateral del producto y ajuste los pernos para nivelar la unidad Coloreel.
7. Asegure la unidad Coloreel con las tuercas del paso 1.
8. Instale las puertas desmontables en la unidad Coloreel y monte la bobina de hilo.
9. Coloque la máquina de bordado en su sitio y asegúrese de que el hilo quede alineado verticalmente con la entrada del hilo en la máquina de bordado. El ángulo del hilo no debe desviarse más de 10° de la línea vertical (α) de la salida del hilo (C) de la ITCU.

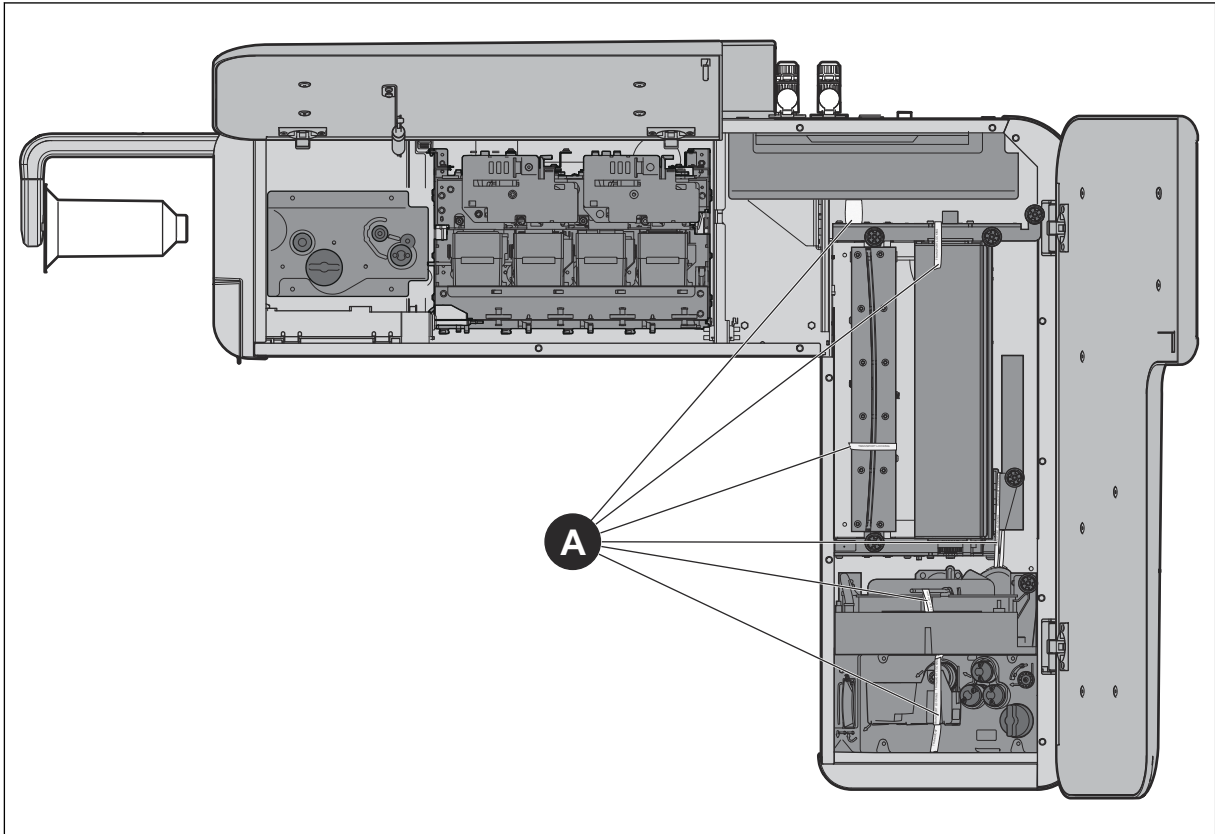


10. Asegúrese de que el hilo esté alineado verticalmente entre la salida del hilo (C) y el centro del brazo del hilo inferior (D).

9.4 Bloqueo de transporte

Abra la puerta delantera de la ITCU y retire con cuidado los 6 cierres de transporte. Una vez retirados los 6 cierres de transporte, cierre bien la puerta delantera de la ITCU.

NOTICE **NOTICE:** Antes de instalar la ITCU en una red, o de intentar utilizar la unidad, deben retirarse todos los cierres de transporte; de lo contrario, este producto resultará dañado.



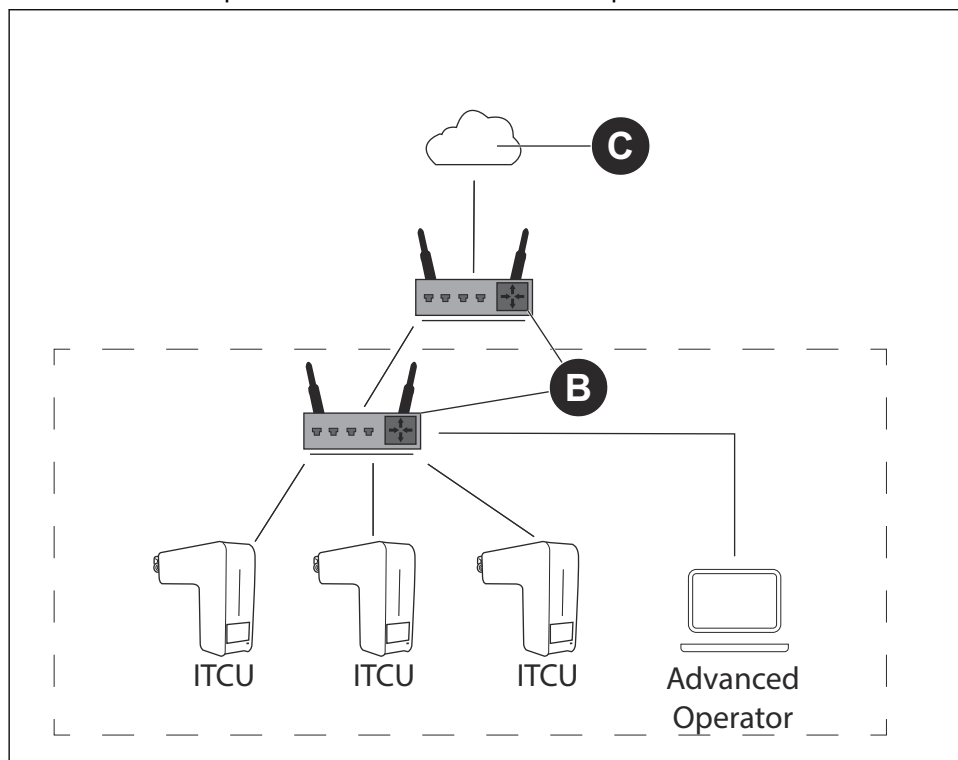
10 Configuración de la red

10.1 Introducción

Para utilizar la ITCU, es necesario instalarla en una red. Recomendamos instalar la unidad en una red conectada a Internet para asegurarse de que puede acceder a las últimas actualizaciones de software. Si no es posible, puede conectar la ITCU a través de una red local.

10.2 Conexión de una Coloreel ITCU a una red

Asegúrese de tener un router, acceso a Internet y una computadora para acceder a la ITCU. La ITCU tendrá una red separada dentro de la red de la empresa.



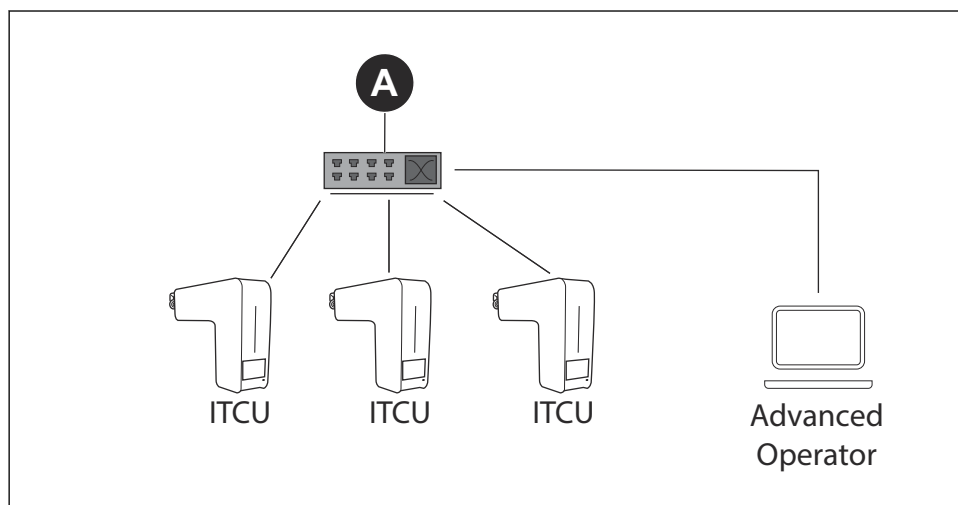
1. Conecte la ITCU al router (B). Conecte el cable ethernet a un conector privado.

NOTICE NOTICE: Si su centro de producción tiene una red cerrada para la producción, utilice el conector público que se conecta a Internet para actualizar el software.

2. Conecte la computadora a la red con acceso a Internet (C).
3. Identifique la dirección IP de la ITCU.
4. Conéctese a la ITCU. Consulte el *Manual del operador completo*.

10.3 Conexión de una Coloreel ITCU a una red local

Asegúrese de tener un switch/router (A) y una computadora para acceder a la ITCU.



1. Conecte la ITCU switch/router (A). Conecte el cable ethernet a un conector privado.

NOTICE NOTICE: Si su centro de producción tiene una red cerrada para la producción, utilice el conector público que se conecta a Internet para actualizar el software.

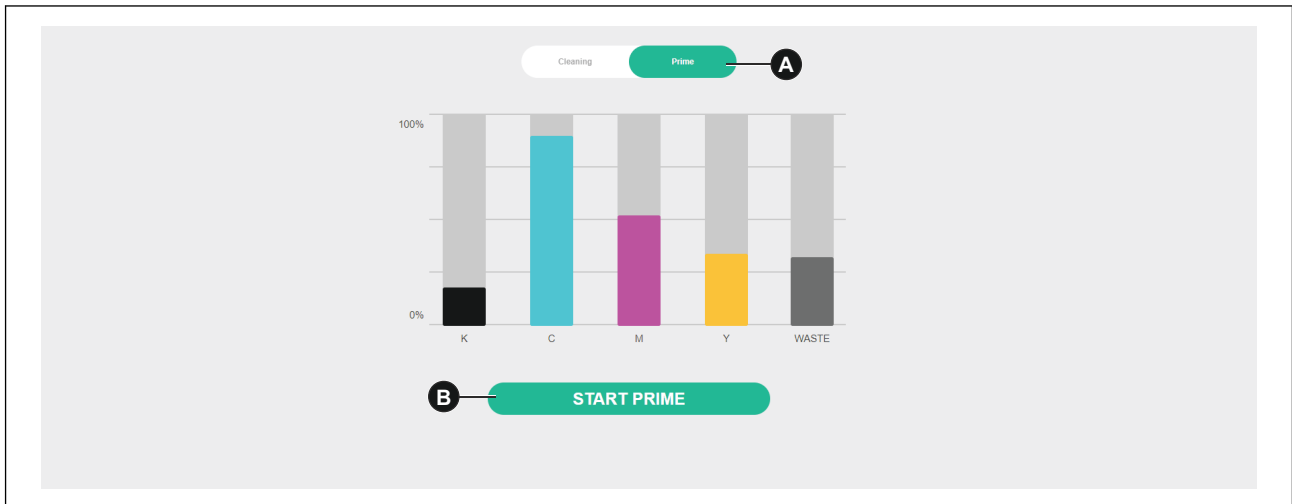
2. Conecte la computadora al switch/router (A).
3. Configure una IP estática para la ITCU. Si no sabe cómo configurar una IP estática, consulte al Departamento de Informática.
4. Conéctese a la ITCU. Consulte el *Manual del operador completo*.

11 Purgado de la ITCU

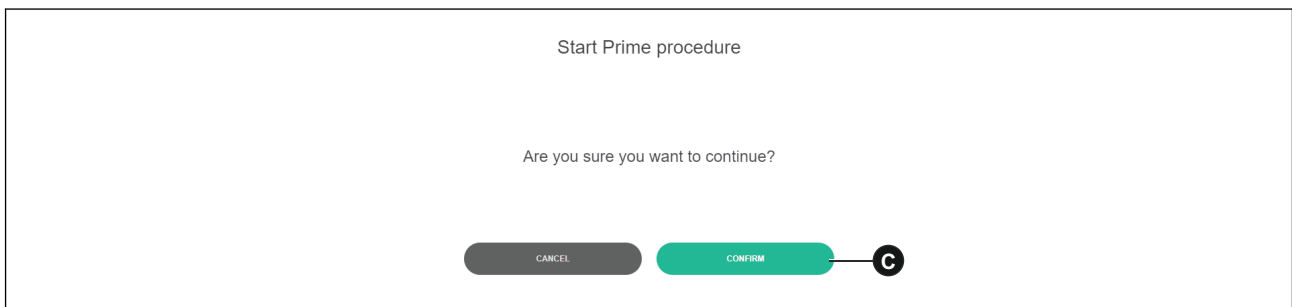
11.1 Uso de la función de purgado

La función de purgado debe utilizarse antes de poner en funcionamiento la ITCU por primera vez. El purgado lo puede realizar un técnico de servicio aprobado por Coloreel, con credenciales de inicio de sesión de *Técnico*.

1. Instale todos los cartuchos de color antes de poner en marcha la ITCU. Consulte el *Manual del operador completo*.
2. Asegúrese de que el depósito de residuos de la ITCU esté vacío.
3. En el panel del operador, seleccione *Mantenimiento*.
4. Seleccione *Purgar* (A).



5. Haga clic en el botón (B) *Iniciar purgado*.
6. Haga clic en el botón (C) *Confirmar*. Se inicia el procedimiento de purgado.



12 Calibración automática de la ITCU

12.1 Introducción

La calibración automática la puede realizar un técnico de servicio aprobado por Coloreel, con credenciales de inicio de sesión de *Técnico*.



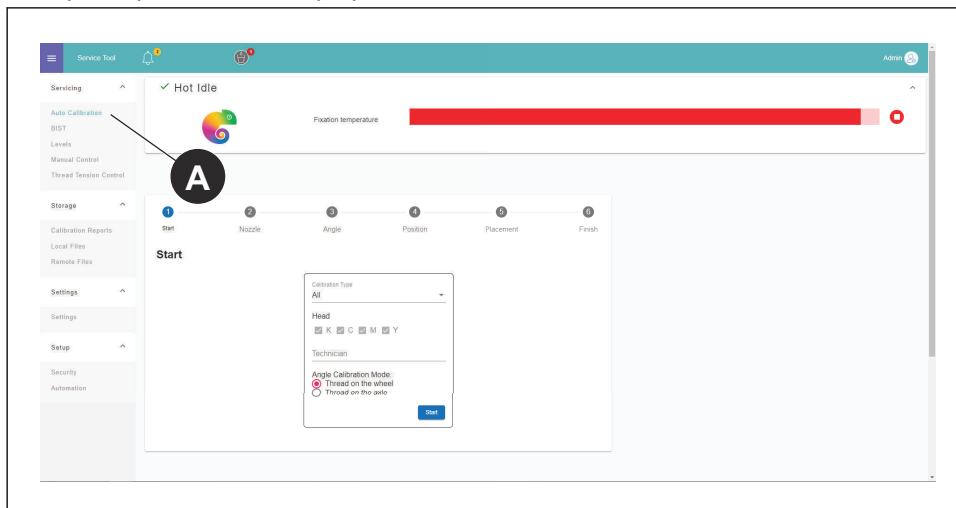
WARNING: Para realizar las funciones de calibración automática con la ITCU es necesario enhebrar la unidad. Antes de intentar enhebrar la ITCU, lea detenidamente, comprenda y siga cada una de las instrucciones que figuran en las secciones 2 y 4 del Manual del operador de la ITCU. Si no se leen detenidamente, se comprenden y se siguen todas las instrucciones de las secciones 2 y 4 del Manual del operador completo de la ITCU antes de intentar enhebrar la unidad podría provocar la muerte o lesiones graves a usted o a otras personas.

NOTICE

NOTICE: Realizar cualquier función de calibración automática con la ITCU sin que la unidad esté enhebrada podría provocar daños en este producto o en otras propiedades.

12.2 Calibración automática

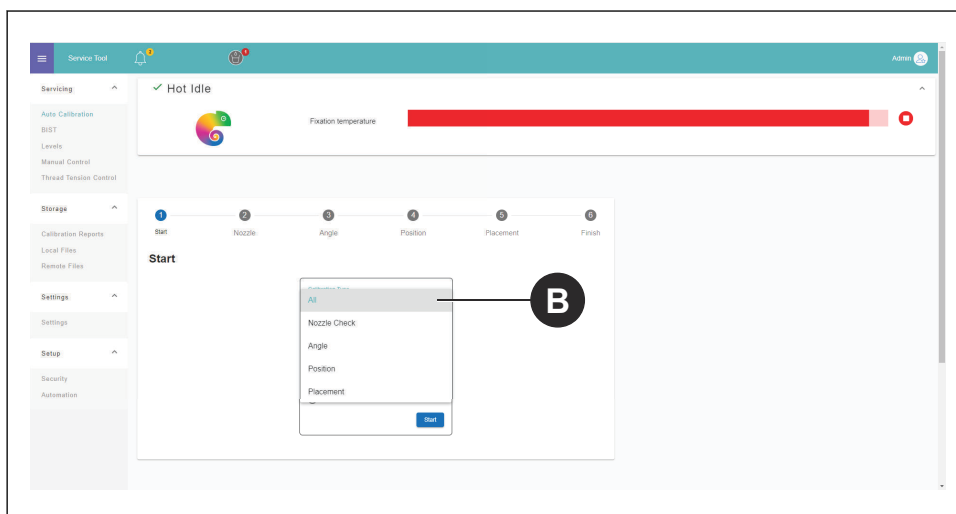
Desde la pestaña (A) Calibración automática, los cabezales de impresión de la ITCU pueden calibrarse para que la tinta se aplique correctamente al hilo.



12.3 Realizar una calibración automática

La calibración automática puede realizarse de diferentes maneras. El modo de calibración *Total* calibrará todos los colores. Otros modos de calibración pueden calibrar por separado los colores individuales.

1. En la página de calibración automática, seleccione el modo de calibración *Total* en la lista desplegable (B).

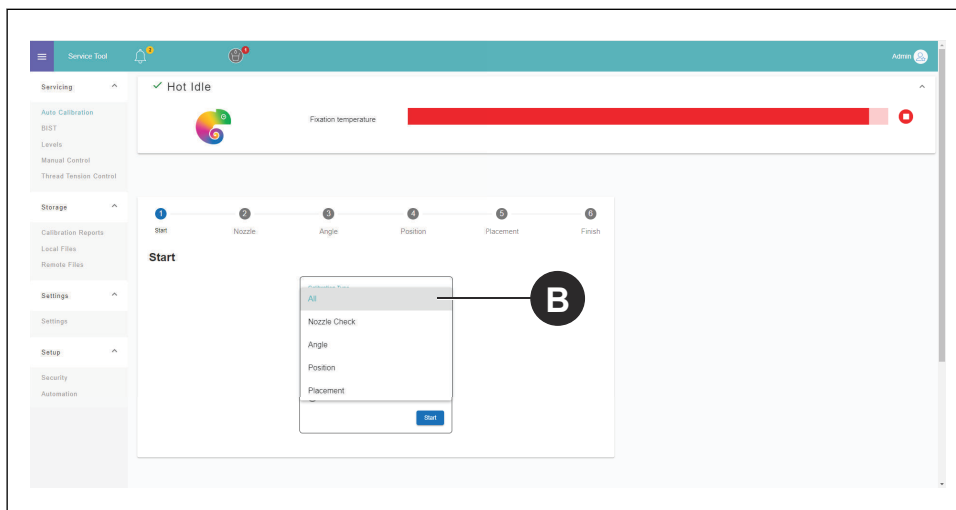


2. Pulse **Inicio** y permita que finalice la calibración automática.

NOTICE NOTICE: La ITCU entra en el *Modo servicio* y se calienta, cuando se inicia la calibración automática.

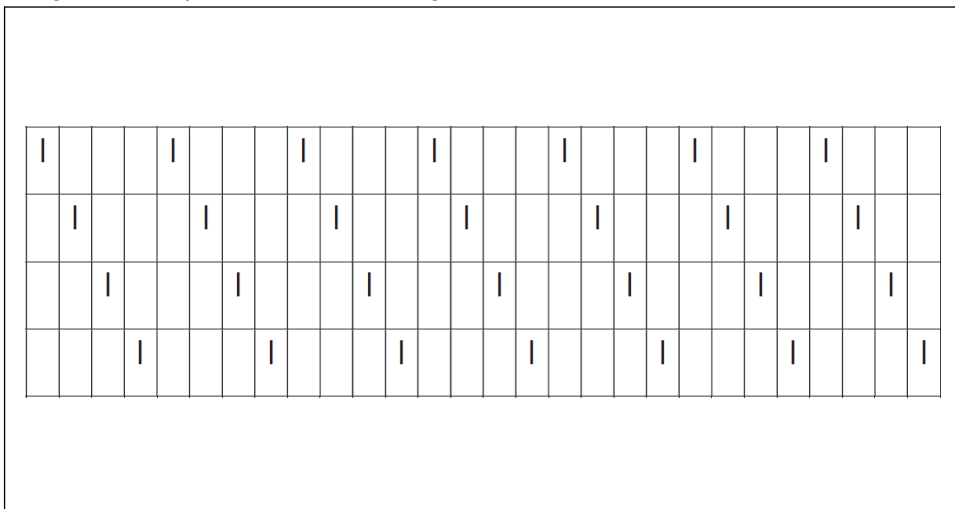
12.4 Realizar un chequeo de boquilla

1. En la página de calibración automática, seleccione *Chequear boquilla* en la lista desplegable (B).



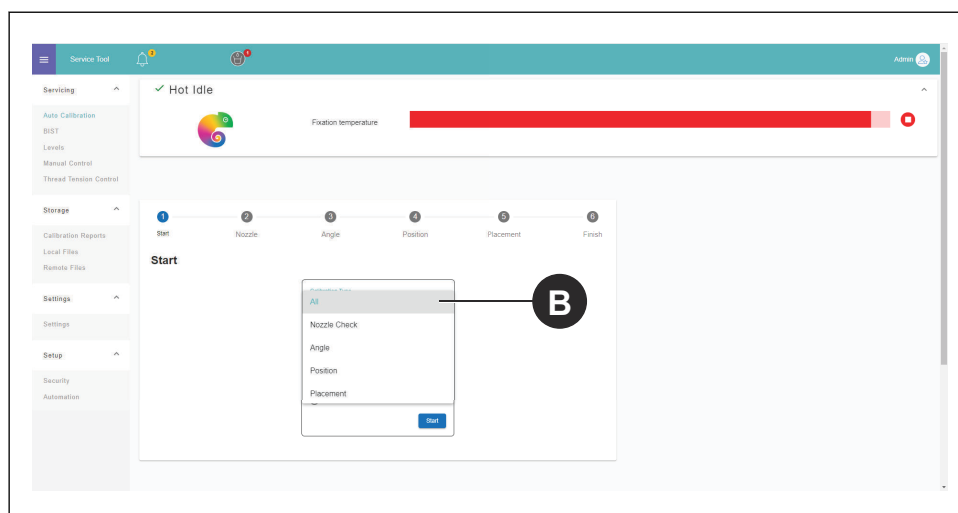
2. Pulse **Inicio**.
3. Sujete un papel entre el hilo y el cabezal de la boquilla.
4. Tire del papel hacia usted y, al mismo tiempo, tire del hilo en la dirección del avance del hilo.

5. Asegúrese de que cada sección tenga color.



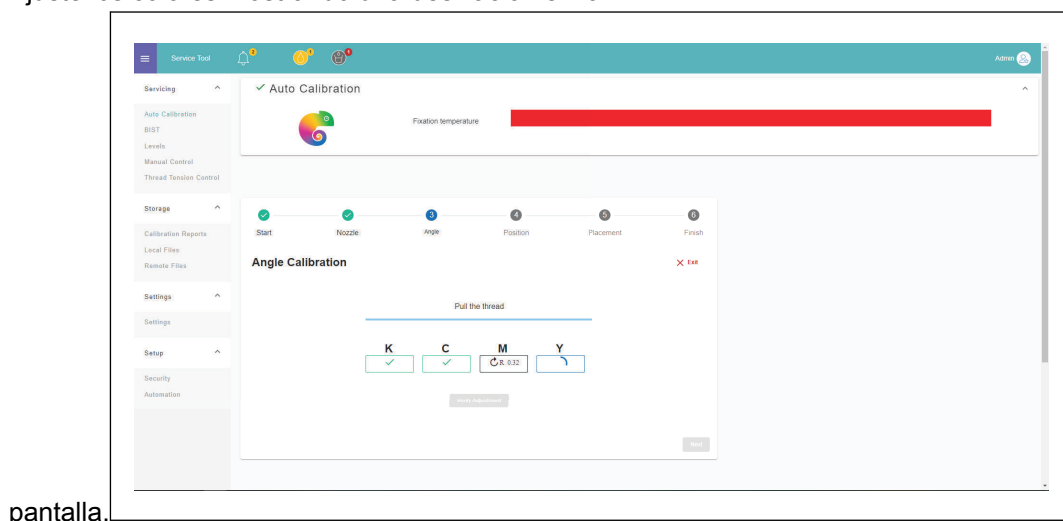
12.5 Realizar una calibración del ángulo de cabezal

1. En la página de calibración automática, seleccione *Calibración del ángulo de cabezal* en la lista desplegable (B).



2. Pulse **Inicio**.
3. Tire del hilo.

4. Ajuste los colores mostrando una desviación en la



pantalla.

NOTICE **NOTICE:** Para saber cómo ajustar los colores físicamente en la ITCU consulte, [12.5.1](#).

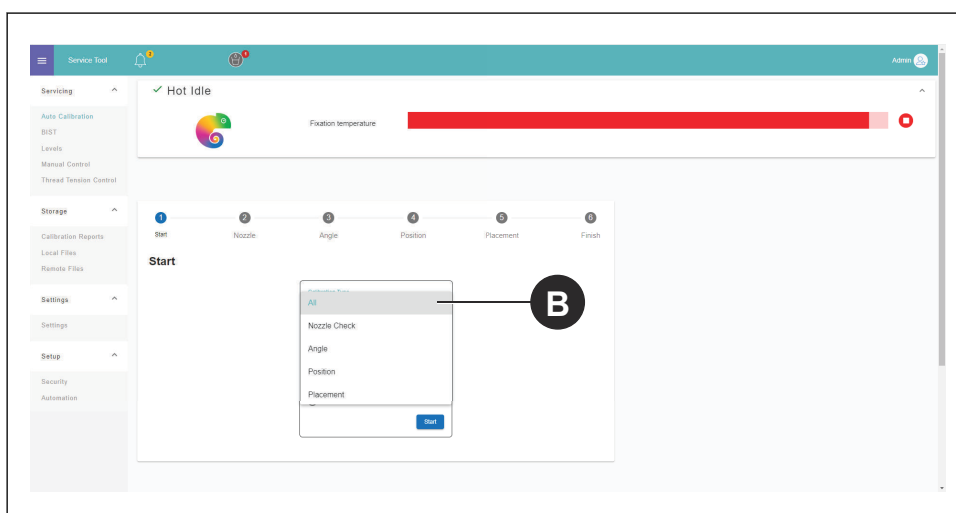
5. Vuelva a tirar del hilo para hacer una calibración de los colores ajustados.

12.5.1 Para ajustar los colores

1. Afloje los tornillos de ajuste 2,5 vueltas en el cabezal de impresión del color que desee ajustar.
2. Ajuste el tornillo de ajuste según el valor indicado en la pantalla. L es en sentido antihorario y R en sentido horario.
3. Apriete los tornillos de fijación con una fuerza de 0,35 Nm.

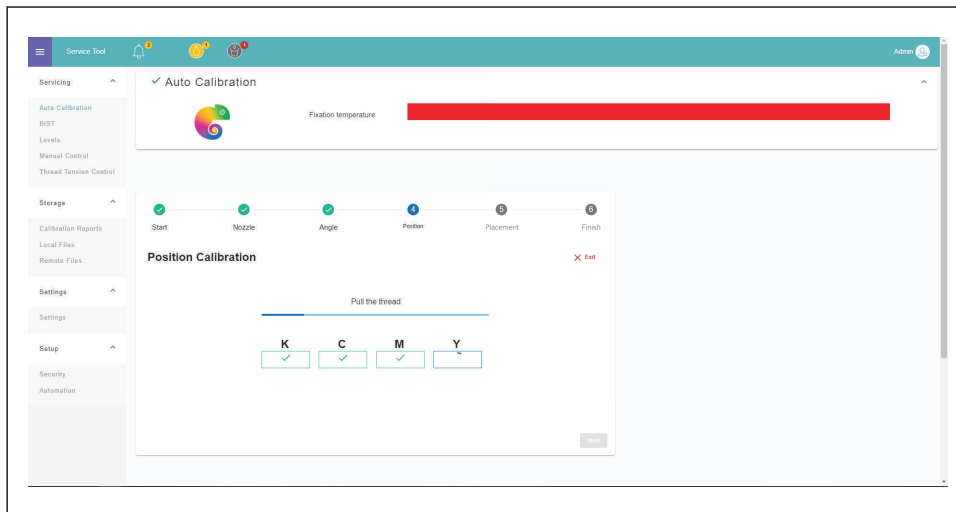
12.6 Realizar una calibración de la posición del cabezal

1. En la página de calibración automática, seleccione *Calibración de la posición del cabezal* en la lista desplegable (B).



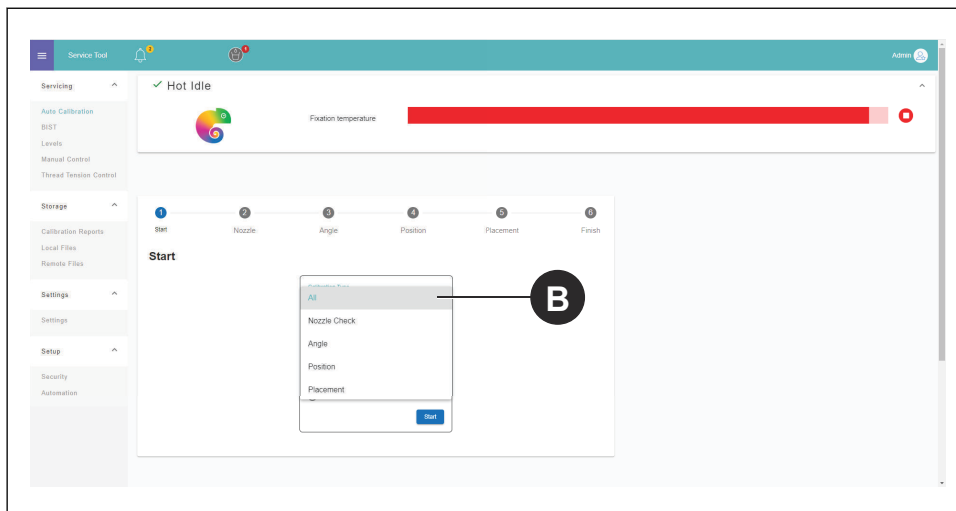
2. Pulse **Inicio**.
3. Tire del hilo.

4. Todos los colores se calibran al mismo tiempo y la posición de cada cabezal se guarda en el *Archivo config*.



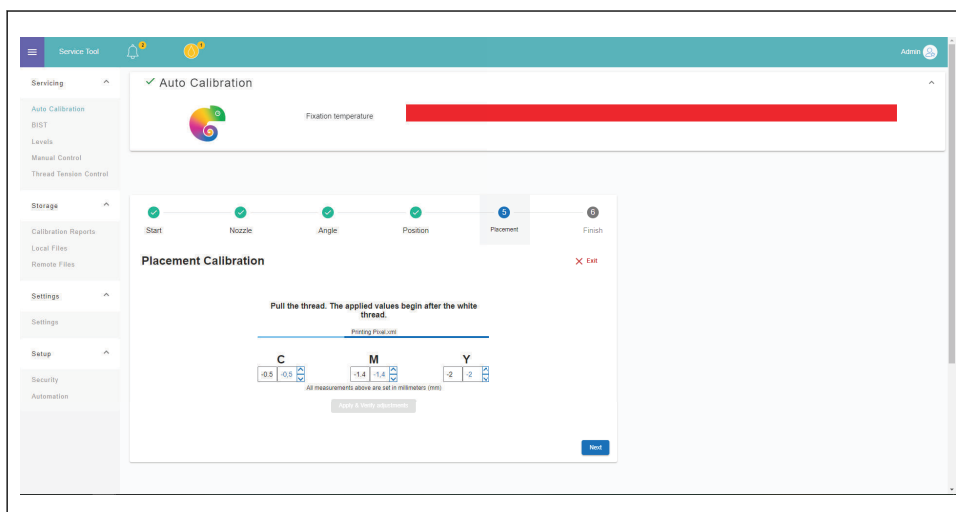
12.7 Realizar una calibración de la colocación del cabezal

1. En la página de calibración automática, seleccione *Calibración de la colocación del cabezal* en la lista desplegable (B).

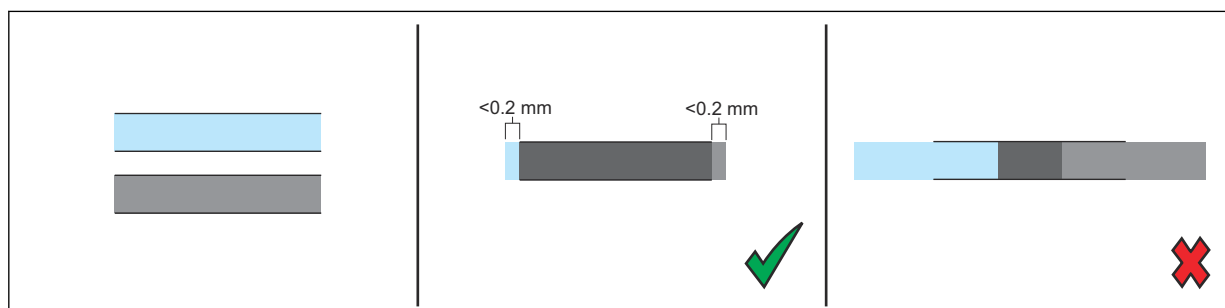


2. Pulse **Inicio**.

3. Tire del hilo. Se aplica un patrón de dos colores en el hilo.

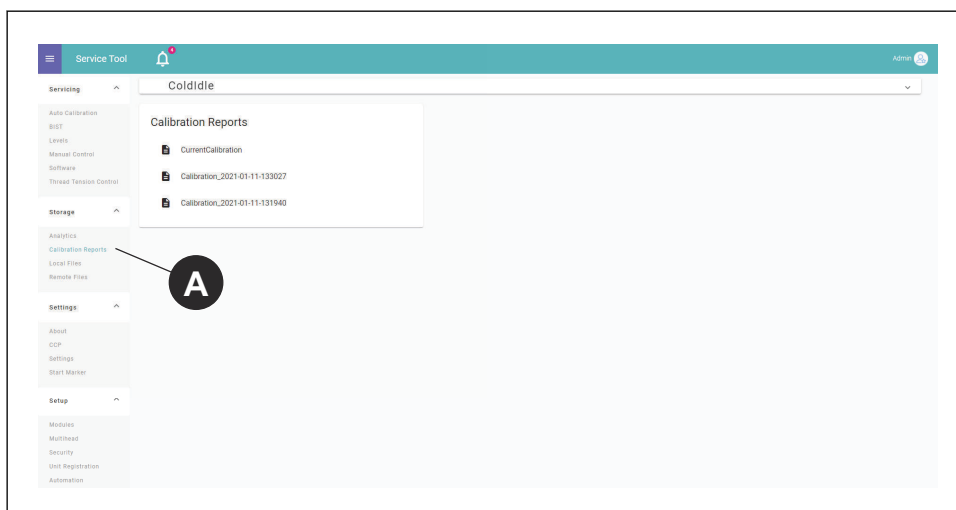


4. Asegúrese de que los colores se pongan uno encima del otro, con una separación de desviación máxima inferior a 0,2 mm en cada lado.



12.8 Realizar el informe de calibración

1. Seleccione *Informes de calibración* (A) en el menú de la barra lateral.



2. Haga clic en el informe que quiera visualizar.

13 Configuración del recuento de puntadas

13.1 Introducción

Para mejorar la Precisión de cambio de color, CCP, se debe añadir la información del recuento de puntadas de la máquina bordadora en la *Configuración* de la ITCU. Introduzca la información necesaria para ajustar los parámetros correctamente:

Conversión de salto	Número de puntadas de salto consecutivo que provocan un recorte (0-9, por defecto: 3)
Remates iniciales	Número de puntadas de unión (0-10, por defecto: 4)
Remates finales	Número de puntadas de remate (0-10, por defecto: 2)
Puntadas tras rotura de hilo	Número de puntadas de unión realizadas tras una rotura de hilo (0-10, por defecto: 0)
Longitud de puntada	Longitud de una puntada de unión en mm (0,1-5, por defecto: 0,5)
Eliminar las puntadas DST sin ninguna longitud (por defecto: Encendido)	Encendido/apagado
Sensor de puntada montado en el eje principal	Encendido/apagado
Rotaciones adicionales del eje principal durante el recorte	Número de rotaciones del eje principal que se dan durante el recorte, sin incluir las puntadas de unión (0-5, por defecto: 1)
Rotaciones adicionales del eje principal durante el cambio de color	Número de rotaciones del eje principal que se dan durante el cambio de color, sin incluir las puntadas de unión (0-5, por defecto: 2)

13.2 Gestión de la configuración de CCP

1. Seleccione *Configuración*.
2. En el menú de configuración, seleccione *Precisión del cambio de color*.

13.3 Alineación de la configuración del recuento de puntadas

1. Seleccione *Configuración*.
2. En el menú de configuración, seleccione *Precisión del cambio de color*.

3. Añada los datos de entrada en los campos situados debajo de *Máquina de bordado* (A).

COLOREEL 30% 25% 20% 5% 74% 36% 26°

CCP

Active Setup

Twilly

Data Collection Method

Aggregated Sample Data

A Embroidery Machine

Jump convert
3
Number of consecutive jump stitches that causes a trim (0-9, default: 3)

Tie ins
4
Number of tie in stitches (0-10, default: 4)

Tie offs
2
Number of tie off stitches (0-10, default: 2)

Thread break ties
0
Number of tie stitches made after a thread break (0-10, default: 0)

Tie stitch length
0.5
Length of a tie stitch in mm (0.1-5, default: 0.5)

B Advanced

4. Para añadir las configuraciones avanzadas, seleccione el botón (B) y añada los datos de entrada.

NOTICE NOTICE: Si tiene dudas sobre las configuraciones de recuento de puntadas de la máquina bordadora que se utiliza con la ITCU, consulte el manual de su máquina bordadora.

14 Notas

Contents

15 Sécurité.....	48	19 Auto-calibrage ITCU.....	58
15.1 Symboles d'alerte de sécurité et mentions d'avertissement.....	48	19.1 Introduction	58
15.2 Consignes de sécurité générales.....	48	19.2 Auto-Calibration.....	58
15.3 Consignes de sécurité relatives à l'installation.....	48	19.3 Effectuer un calibrage automatique.....	58
16 Installation.....	50	19.4 Effectuer un contrôle de la buse.....	59
16.1 Introduction.....	50	19.5 Réalisation d'un étalonnage de l'angle de la tête.....	60
16.2 Pour assembler de l'unité Coloreel	50	19.5.1 Pour ajuster les couleurs.....	61
16.3 Pour fixer le produit à différentes installations.....	50	19.6 Réalisation d'un étalonnage de la position de la tête.....	61
16.4 Verrous de transport.....	54	19.7 Effectuer un étalonnage du positionnement de la tête.....	62
17 Configuration du réseau.....	55	19.8 Exécution du rapport d'étalonnage.....	63
17.1 Introduction	55	20 Réglages du nombre de points.....	64
17.2 Pour connecter une ITCU Coloreel à un réseau.....	55	20.1 Introduction.....	64
17.3 Connecter une ITCU Coloreel à un réseau local.....	55	20.2 Gestion des paramètres CCP.....	64
18 Amorçage ITCU.....	57	20.3 Alignement des paramètres de comptage de points.....	64
18.1 Utilisation de la fonction d'amorçage.....	57	21 Remarques.....	66

15 Sécurité

15.1 Symboles d'alerte de sécurité et mentions d'avertissement

Ce manuel d'installation contient des symboles d'alerte, de sécurité, des symboles d'avis et des mots de signalisation. Ces symboles et mots sont illustrés et expliqués ci-dessous. Chaque symbole d'alerte de sécurité, symbole d'avis et mot de signalisation signale des risques ou fournit d'autres informations importantes pour l'installation sûre et correcte de ce produit.



WARNING: Ce symbole d'alerte de sécurité et ce mot d'avertissement signalent une situation dangereuse qui, si elle n'est pas évitée, pourrait entraîner la mort ou des blessures graves.



CAUTION: Ce symbole d'alerte de sécurité et ce mot d'avertissement signalent une situation dangereuse qui, si elle n'est pas évitée, pourrait entraîner des blessures légères ou de gravité modérée.



NOTICE: Ce symbole d'information et ce mot d'avertissement signalent des renseignements importants.

15.2 Consignes de sécurité générales



WARNING: Avant de commencer l'installation de ce produit, lisez attentivement, comprenez parfaitement et suivez chacune des instructions générales de sécurité ci-dessous ; le non-respect de ces instructions peut entraîner la mort ou des blessures graves pour vous ou pour une personne se trouvant à proximité.

- Suivez tous les messages de sécurité et les instructions de ce manuel d'installation, ainsi que toutes les instructions fournies sur l'écran tactile du produit, lors de l'installation de ce produit.
- Ce produit crée un champ électromagnétique pendant son fonctionnement. Ce champ peut interférer avec des implants médicaux actifs ou passifs. Les personnes ayant des implants médicaux doivent consulter leur médecin avant de tenter l'installation de ce produit.
- Les câbles de ce produit peuvent être sous tension. L'exposition à une tension électrique peut provoquer une décharge électrique. Ne touchez pas les câbles de ce produit lorsqu'il est branché.
- Ce manuel d'installation contient des messages de sécurité et des instructions d'entretien à suivre une fois l'installation terminée. Ne jetez pas ce manuel d'installation. Conservez ce manuel d'installation dans un endroit sec et facile à trouver.
- Si vous avez des questions concernant un message de sécurité ou une instruction contenue dans ce manuel d'installation, contactez le service d'assistance de Coloreel à l'adresse <https://www.coloreel.com/support> avant de commencer l'installation de ce produit.

15.3 Consignes de sécurité relatives à l'installation



WARNING: Avant de commencer l'installation de ce produit, lisez attentivement, comprenez parfaitement et suivez chacune des instructions de sécurité pour l'installation ci-dessous ; le non-respect de ces instructions peut entraîner la mort ou des blessures graves pour vous ou pour une personne se trouvant à proximité.



WARNING: Lisez les messages d'avertissement qui suivent avant d'installer le support sur pied et l'unité Coloreel.

- Ce produit ne doit être installé que par des techniciens de service qualifiés.
- Plusieurs pièces de ce produit sont grandes ou lourdes, et certaines étapes de l'installation de ce produit nécessitent au moins trois techniciens de service qualifiés. Ce produit doit être installé par un minimum de trois techniciens de service formés.
- L'installation et le fonctionnement sûrs de ce produit exigent que chaque étape de l'installation de ce produit soit effectuée de la manière indiquée dans ce manuel d'installation.

NOTICE **NOTICE:** Toutes les indications du présent manuel d'instructions - telles que « gauche », « droite », « avant » et « arrière » - sont fournies du point de vue d'une personne faisant face au produit tel qu'il est assemblé.

16 Installation

16.1 Introduction



WARNING: Soyez prudent lors de l'installation des l'unité Coloreel. Risque de blessures par écrasement.



CAUTION: Assurez-vous que l'unité Coloreel est installée à un angle ne dépassant pas 3° par rapport au plan horizontal.



CAUTION: La distance entre l'unité Coloreel et l'aiguille à broder doit être aussi courte que possible pour garantir la précision des couleurs. La longueur du fil entre la sortie et l'aiguille ne doit pas dépasser 100 cm.



CAUTION: Installez l'unité Coloreel de sorte que l'angle du fil entre l'unité Coloreel et la machine à broder ne dépasse pas 10° par rapport à l'axe vertical.

16.2 Pour assembler de l'unité Coloreel

Ce dont vous aurez besoin :

Nom	Quantité
Boulon, M10, classe minimum 8.8	4
Écrou, M10	8
Rondelle, 10,5 x 20 x 2, classe minimum 8	8

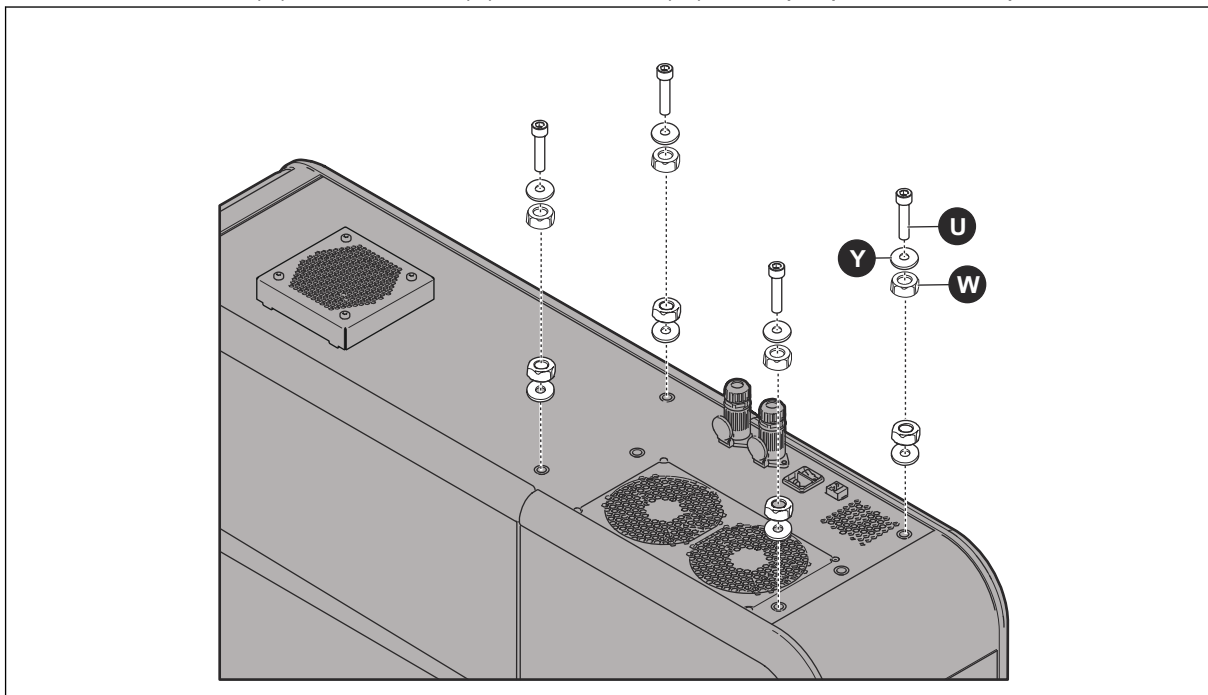
NOTICE

NOTICE: L'unité Coloreel doit être installée dans un espace ayant une distance minimale de 260 cm entre le plancher et le plafond.

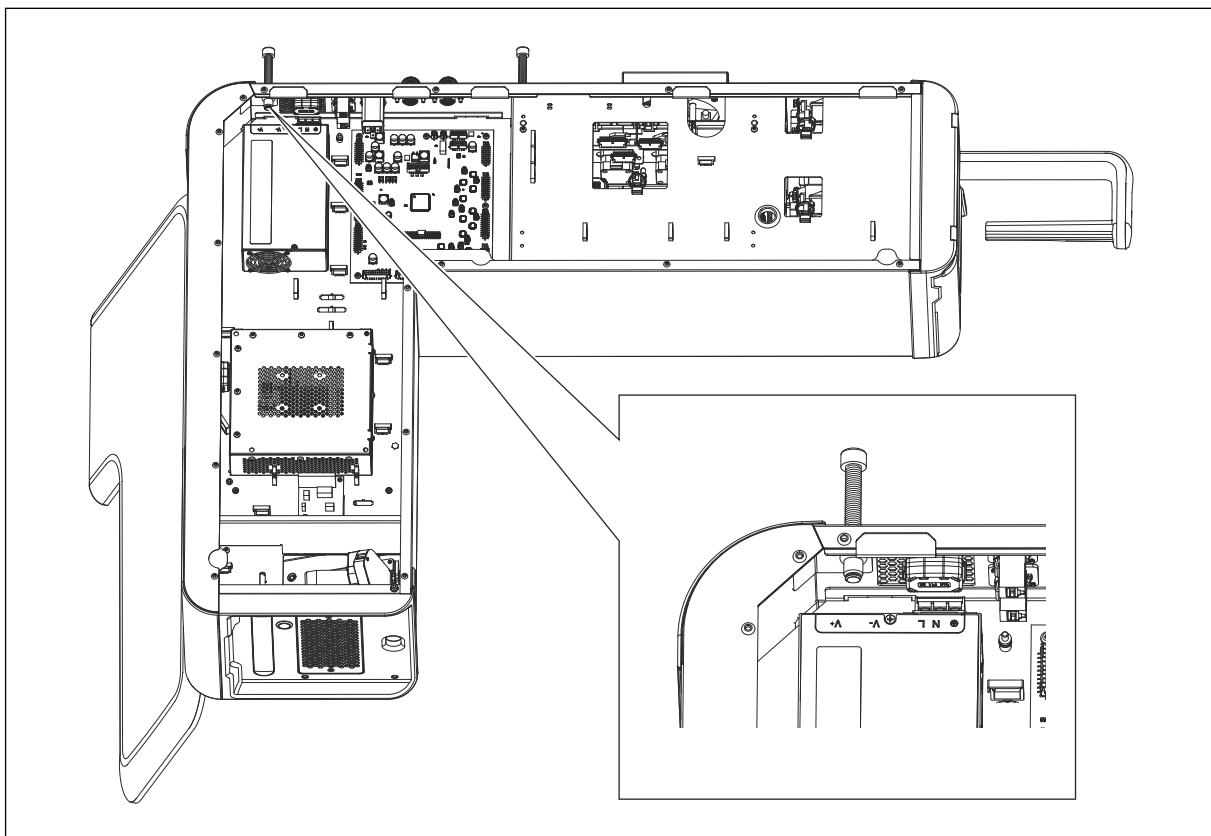
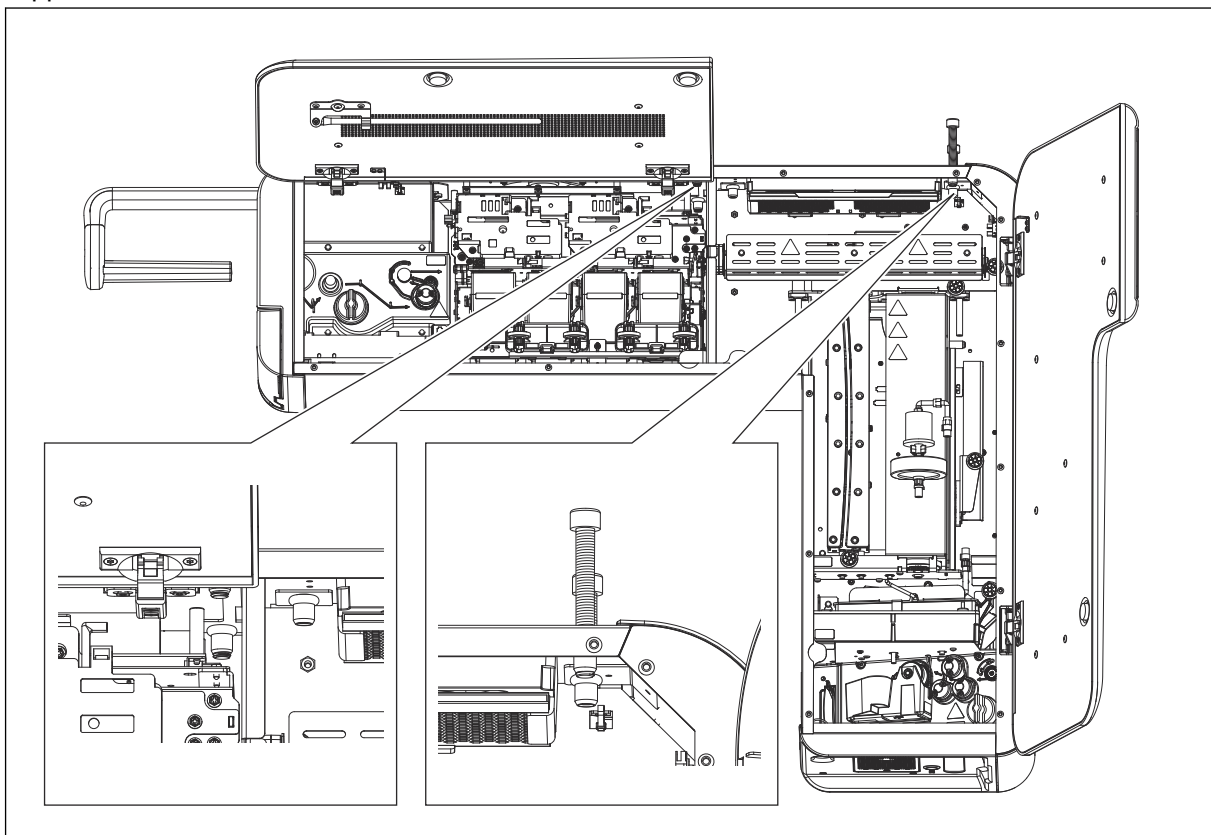
16.3 Pour fixer le produit à différentes installations

1. Retirez les portes amovibles de l'unité Coloreel.

2. Installez les boulons (U), les rondelles (Y) et les écrous (W) sur la plaque à cadre du produit.

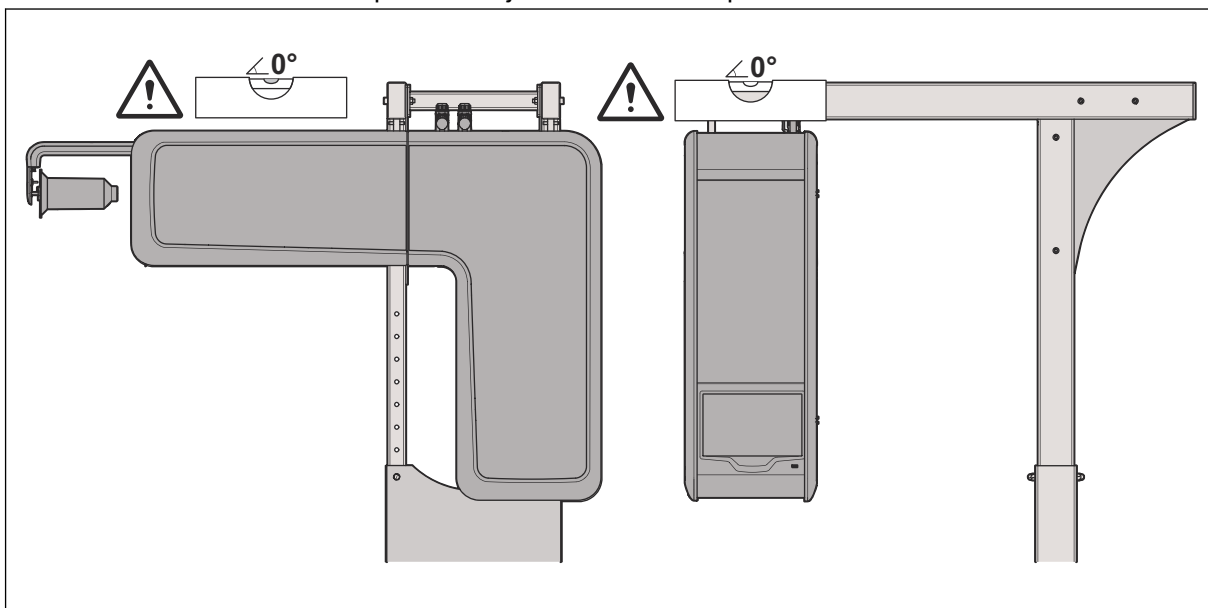


3. Assurez-vous que tous les boulons traversent les trous et soient visibles de l'intérieur de l'appareil.

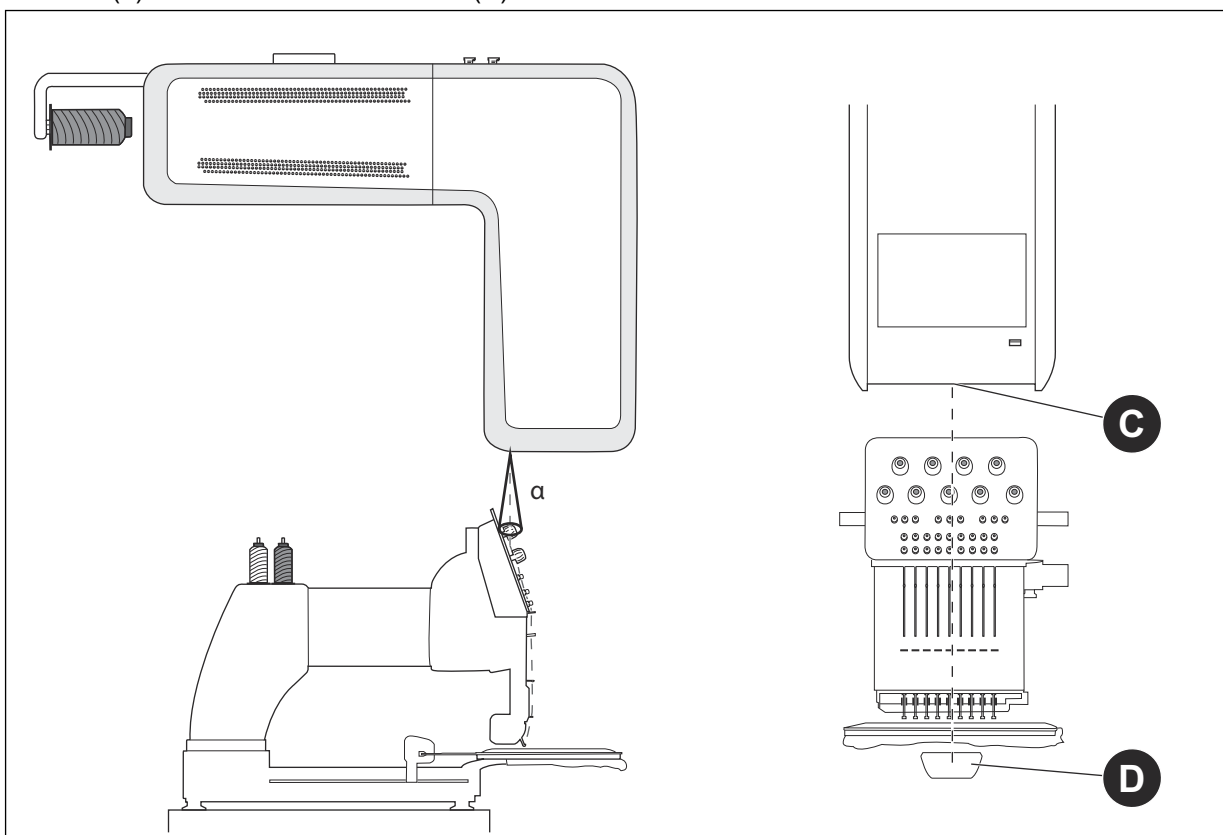


4. Si vous disposez d'un équipement de levage en option, lisez les instructions s'y rapportant avant de l'utiliser.

5. Placez un niveau à bulle sur le produit et ajustez les boulons pour niveler l'unité Coloreel.



6. Placez le niveau à bulle sur le côté du produit et ajustez les boulons pour niveler l'unité Coloreel.
7. Fixez en place l'unité Coloreel à l'aide des écrous dont il est question à l'étape 1 ci-dessus.
8. Installez les portes amovibles de l'unité Coloreel et assemblez la bobine de fil.
9. Mettez la machine à broder en place et assurez-vous que le fil est aligné verticalement avec l'entrée du fil sur la machine. L'angle du fil ne doit pas dépasser 10° par rapport à la ligne verticale (α) de la sortie du fil de l'ITCU (C).

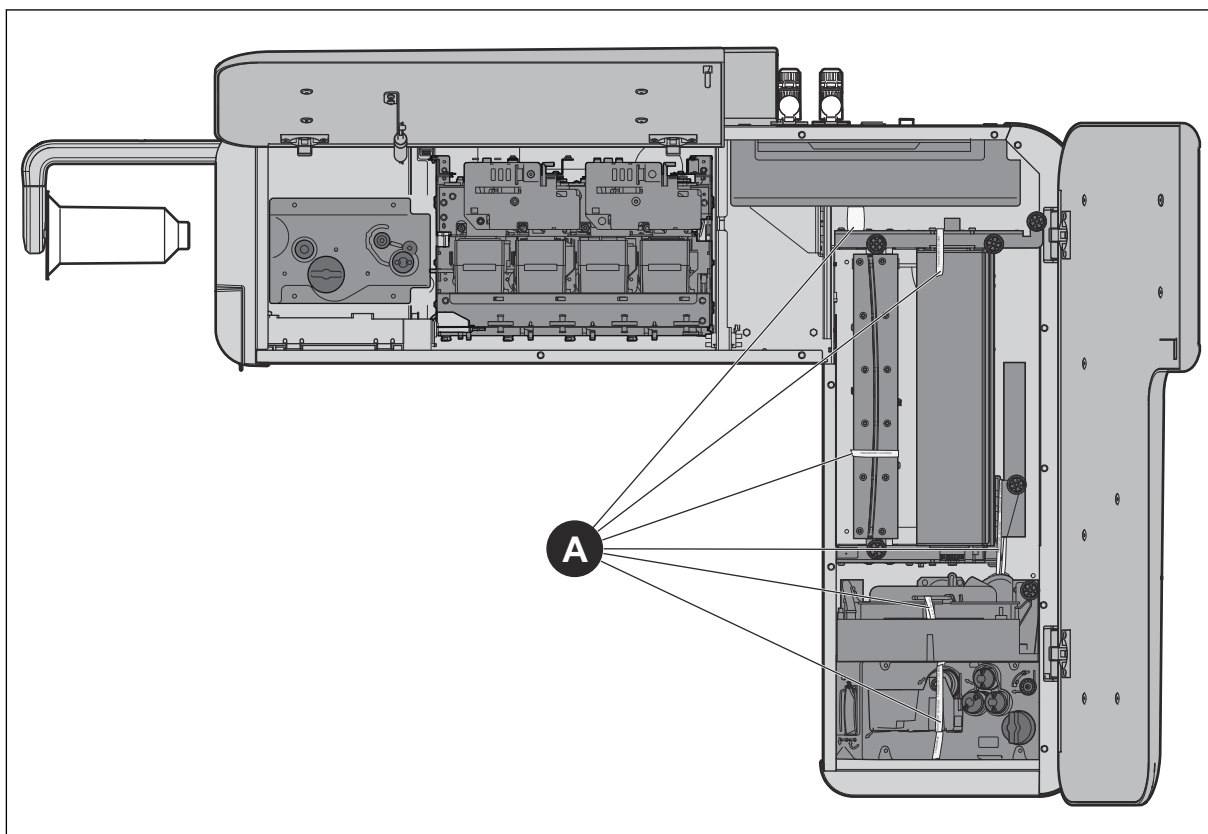


10. Assurez-vous que le fil est aligné verticalement entre la sortie du fil (C) et le centre du bras d'enfilage inférieur (D).

16.4 Verrous de transport

Ouvrez la porte avant de ITCU et retirez soigneusement les 6 verrous de transport. Après avoir retiré les 6 verrous de transport, fermez solidement la porte avant du site ITCU.

NOTICE **NOTICE:** Avant d'installer le site ITCU sur un réseau ou de tenter de faire fonctionner l'unité, tous les verrous de transport doivent être retirés ; le non-respect de cette consigne entraînera l'endommagement de ce produit.



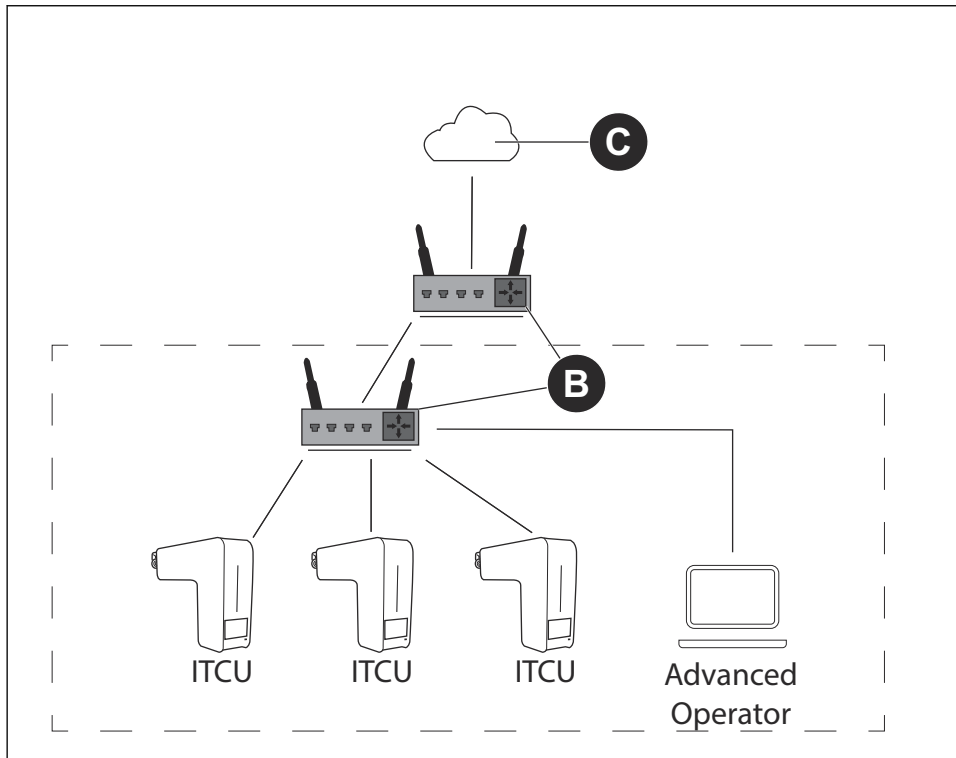
17 Configuration du réseau

17.1 Introduction

Pour utiliser l'ITCU, vous devez la relier à un réseau. Nous vous recommandons d'installer l'appareil sur un réseau connecté à Internet pour vous assurer que vous pouvez accéder aux dernières mises à jour du logiciel. Si cela n'est pas possible, vous pouvez connecter l'ITCU à un réseau local.

17.2 Pour connecter une ITCU Coloreel à un réseau

Assurez-vous d'avoir un routeur, un accès à Internet et un ordinateur pour accéder au site ITCU. Le site ITCU disposera d'un réseau distinct à l'intérieur du réseau de l'entreprise.



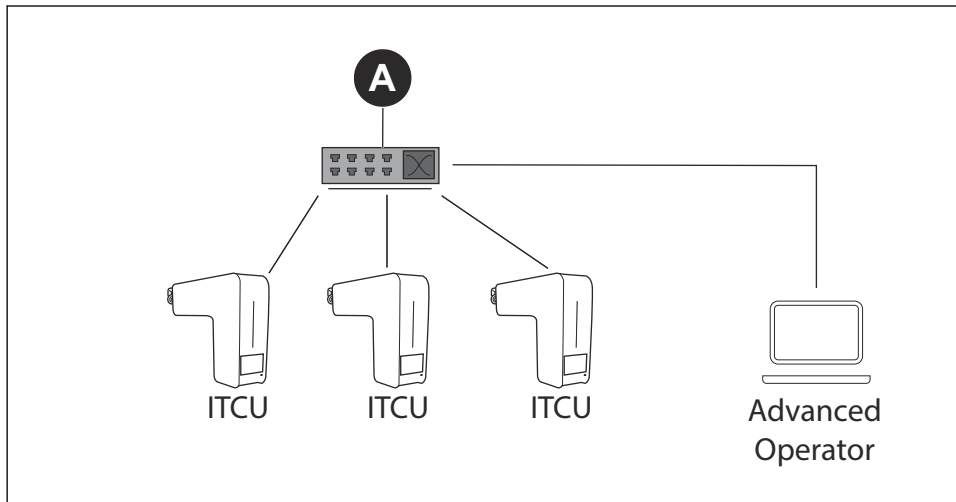
1. Connectez l'ITCU au routeur (B). Connectez le câble Ethernet à un connecteur privé.

NOTICE NOTICE: Si votre site de production dispose d'un réseau fermé pour la production, utilisez le connecteur public qui est connecté à l'Internet pour une mise à jour du logiciel.

2. Connectez l'ordinateur au réseau avec accès Internet (C).
3. Identifiez l'adresse IP de ITCU.
4. Connectez-vous à l'adresse ITCU. Reportez-vous au *manuel complet de l'opérateur*.

17.3 Connecter une ITCU Coloreel à un réseau local

Assurez-vous d'avoir un commutateur/routeur (A) et un ordinateur pour accéder au site ITCU.



1. Branchez l'ITCU au commutateur/routeur (A). Connectez le câble Ethernet à un connecteur privé.

NOTICE **NOTICE:** Si votre site de production dispose d'un réseau fermé pour la production, utilisez le connecteur public qui est connecté à l'Internet pour une mise à jour du logiciel.

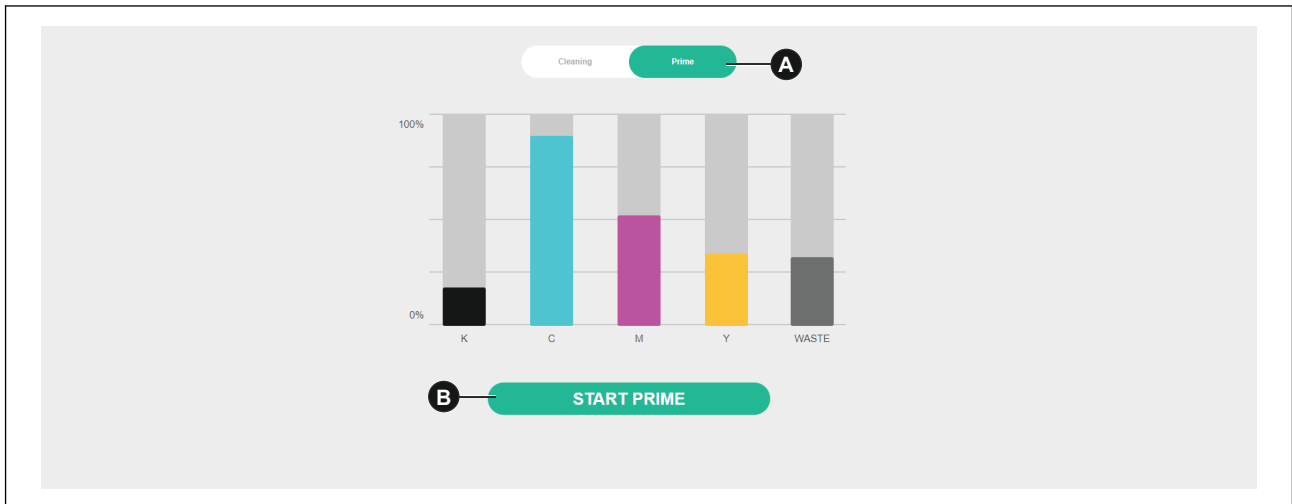
2. Branchez l'ordinateur au commutateur/routeur (A).
3. Définissez une IP statique pour le site ITCU. Si vous ne savez pas comment définir une IP statique, consultez votre service informatique.
4. Connectez-vous à l'adresse ITCU. Reportez-vous au *manuel complet de l'opérateur*.

18 Amorçage ITCU

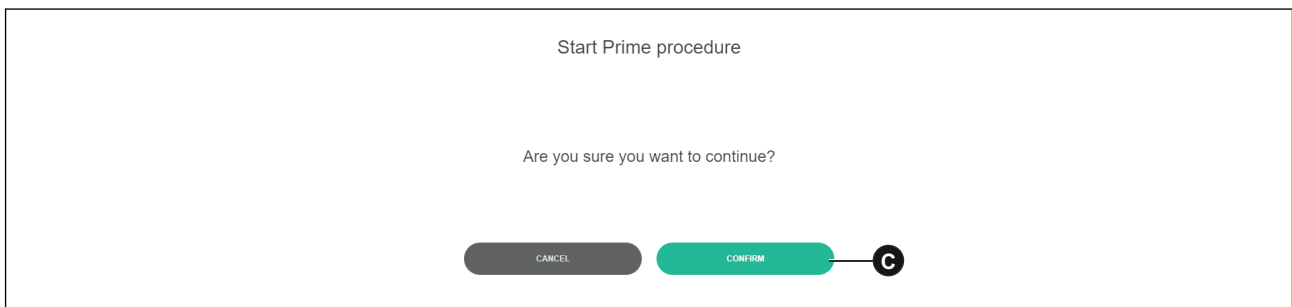
18.1 Utilisation de la fonction d'amorçage

La fonction d'amorçage doit être utilisée avant d'utiliser le site ITCU pour la première fois. L'amorçage peut être effectué par un technicien de service agréé par Coloreel, avec les identifiants de connexion du *technicien*.

1. Installez toutes les cartouches de couleur avant de démarrer le site ITCU. Reportez-vous au *manuel complet de l'opérateur*.
2. Assurez-vous que le réservoir de déchets du site ITCU est vide.
3. Dans le panneau opérateur, sélectionnez *Maintenance*.
4. Sélectionnez *Prime* (A).



5. Cliquez sur le bouton *Start prime* (B).
6. Cliquez sur le bouton *Confirmer* (C). La procédure d'apprêt démarrera.



19 Auto-calibrage ITCU

19.1 Introduction

L'auto-étalonnage peut être effectué par un technicien de service agréé par Coloreel, avec des identifiants de connexion de *technicien*.



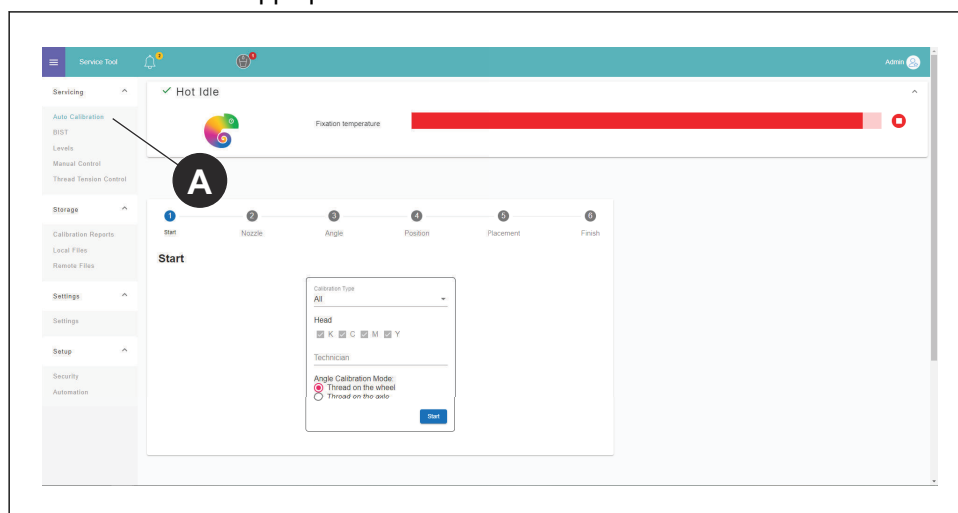
WARNING: Pour exécuter les fonctions d'auto-calibrage avec le site ITCU, il faut d'abord que l'appareil soit fileté. Avant d'essayer d'enfiler le ITCU, lisez attentivement, comprenez parfaitement et suivez chaque instruction contenue dans les sections 2 et 4 du manuel d'utilisation du ITCU. Si vous ne lisez pas attentivement, ne comprenez pas et ne suivez pas chaque instruction contenue dans les sections 2 et 4 du guide de démarrage rapide et du manuel d'utilisation complet de ITCU avant de tenter d'enfiler l'appareil, vous ou une personne se trouvant à proximité risquez de mourir ou d'être gravement blessé.

NOTICE

NOTICE: L'exécution de toute fonction d'auto-calibrage avec le site ITCU sans que l'appareil ne soit pas fileté peut entraîner des dommages à ce produit ou à d'autres biens.

19.2 Auto-Calibration

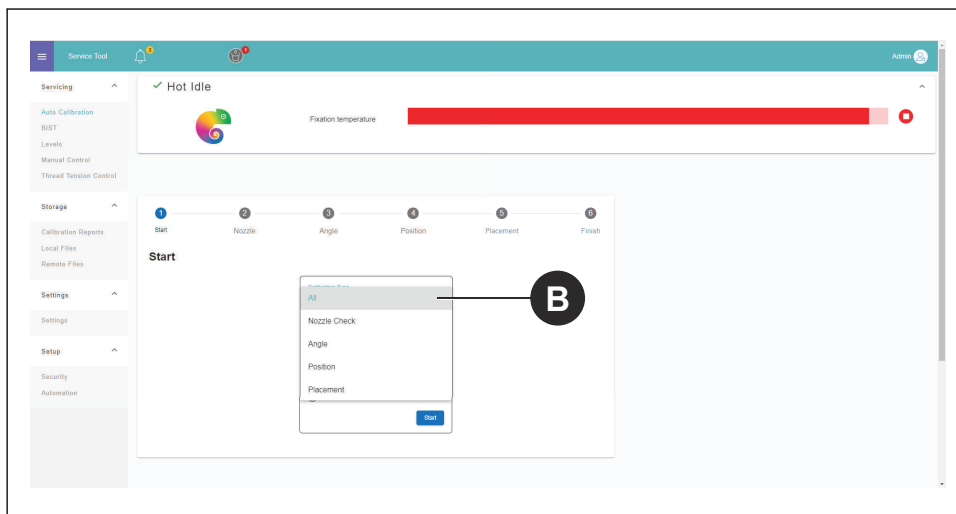
L'onglet Calibrage automatique (A) permet de calibrer les têtes d'impression du site ITCU afin que l'encre soit correctement appliquée sur le fil.



19.3 Effectuer un calibrage automatique

L'auto-calibrage peut être effectué de différentes manières. Le mode *Tous* calibrera toutes les couleurs. D'autres modes d'étalonnage permettent d'étalonner séparément les couleurs individuelles.

1. À la page Étalonnage automatique, sélectionnez le mode d'étalonnage *Tous* dans la liste déroulante (B).

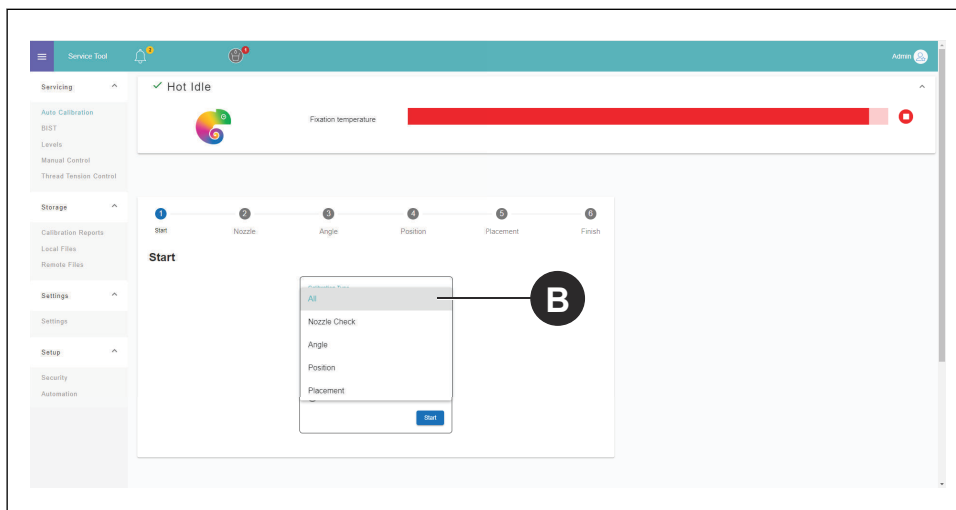


2. Appuyez sur **Start** et laissez l'auto-calibrage se terminer.

NOTICE NOTICE: Le site ITCU passe en *mode service* et se réchauffe lorsque vous lancez l'étalonnage automatique.

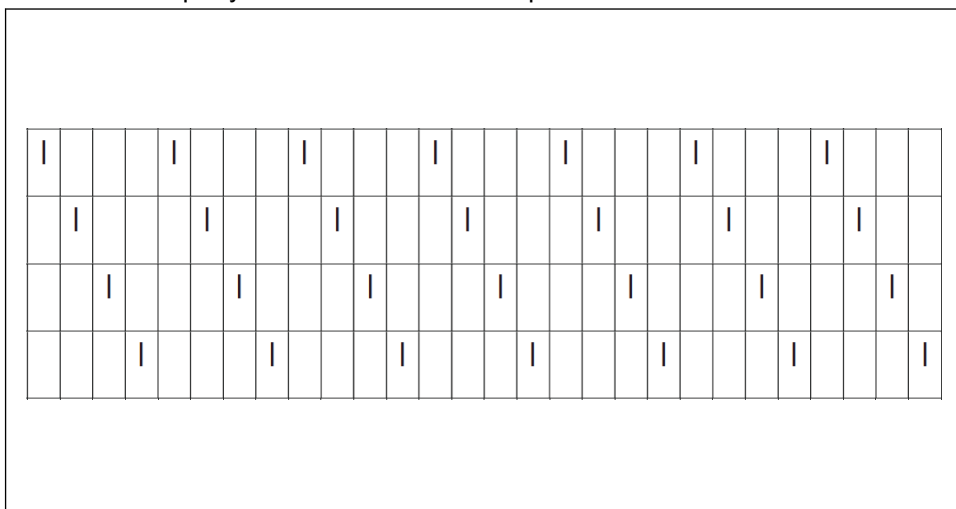
19.4 Effectuer un contrôle de la buse

1. À la page Auto-Calibration, sélectionnez *Nozzle Check (Vérification de la buse)* dans la liste déroulante (B).



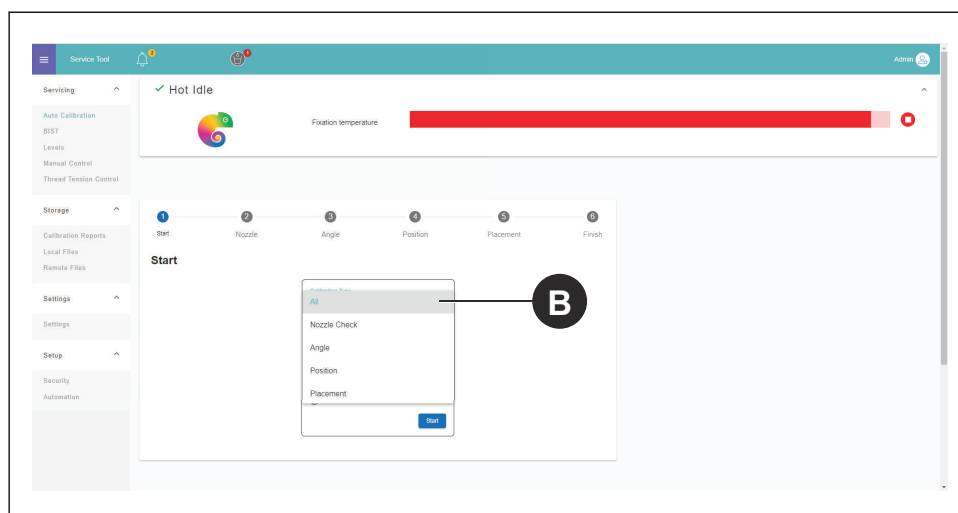
2. Appuyez sur **Start**.
3. Tenez un morceau de papier entre le fil et la tête de la buse.
4. Tirez le papier vers vous et, en même temps, tirez le fil dans le sens de l'alimentation du fil.

5. Assurez-vous qu'il y a de la couleur sur chaque section.



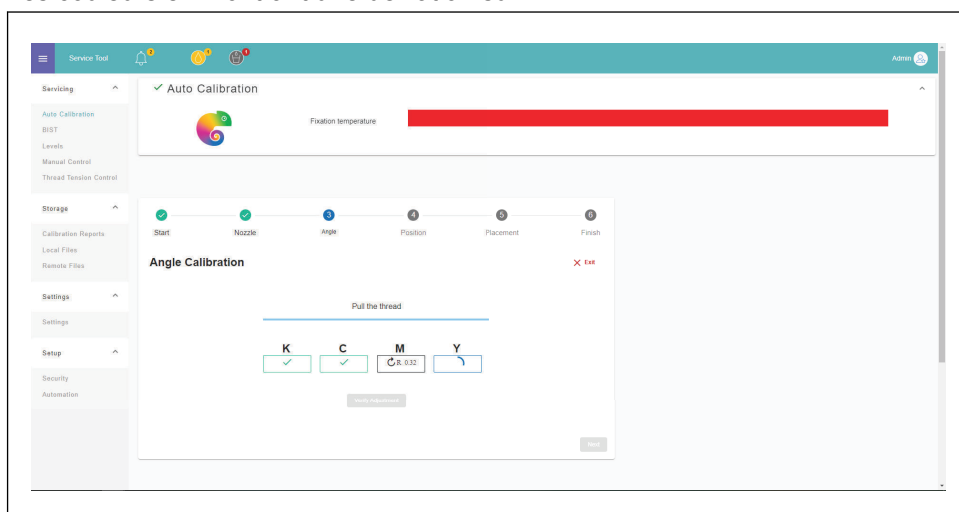
19.5 Réalisation d'un étalonnage de l'angle de la tête

1. À la page Étalonnage automatique, sélectionnez *Étalonnage de l'angle de la tête* dans la liste déroulante (B).



2. Appuyez sur **Start**.
3. Tirez le fil.

4. Ajustez les couleurs en montrant une déviation sur



l'écran.

NOTICE NOTICE: Pour savoir comment régler physiquement les couleurs sur le site ITCU, reportez-vous à, [19.5.1](#).

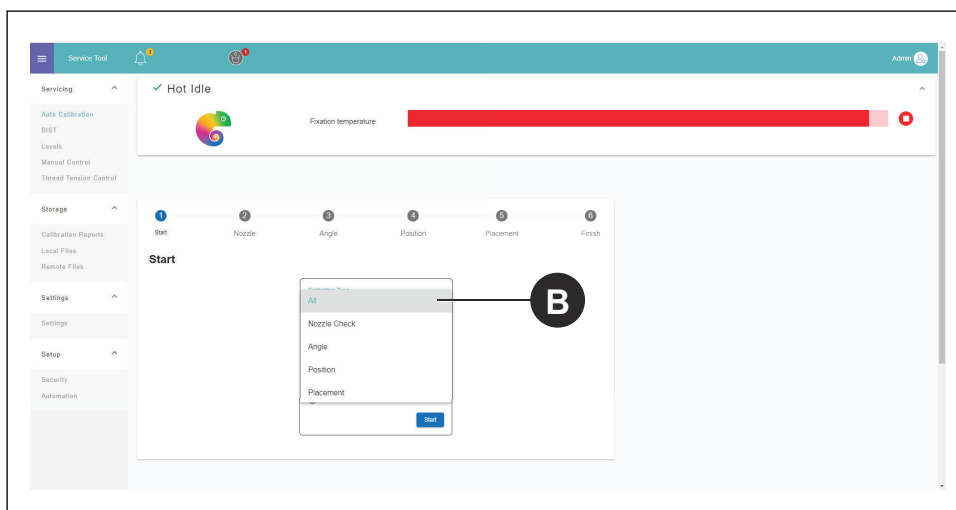
5. Tirez à nouveau sur le fil pour effectuer un étalonnage de la ou des couleurs ajustées.

19.5.1 Pour ajuster les couleurs

1. Desserrez les vis de blocage de 2,5 tours sur la tête d'impression de la couleur que vous voulez régler.
2. Réglez la vis de réglage en fonction de la valeur indiquée sur l'écran. L est dans le sens inverse des aiguilles d'une montre et R dans le sens des aiguilles d'une montre.
3. Serrez les vis de blocage avec une force de 0,35 Nm.

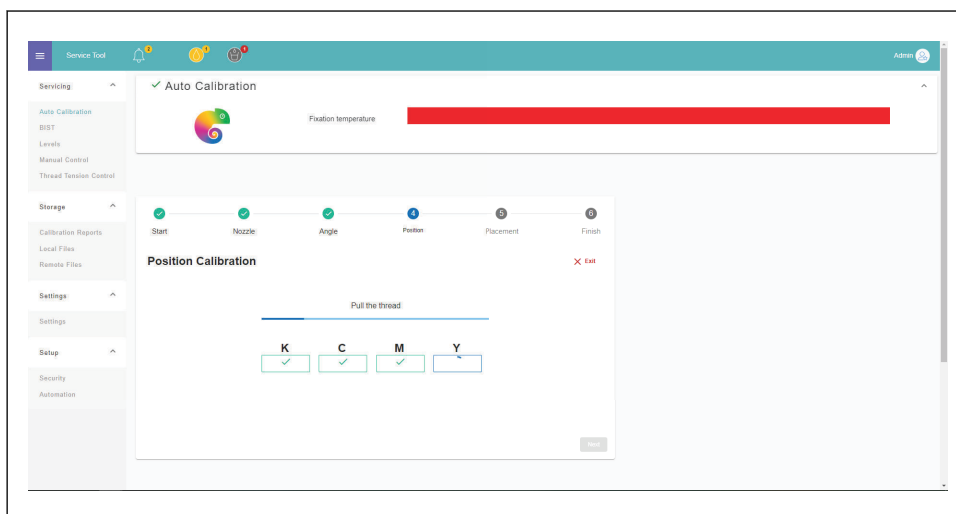
19.6 Réalisation d'un étalonnage de la position de la tête

1. À la page Étalonnage automatique, sélectionnez *Étalonnage de la position de la tête* dans la liste déroulante (B).



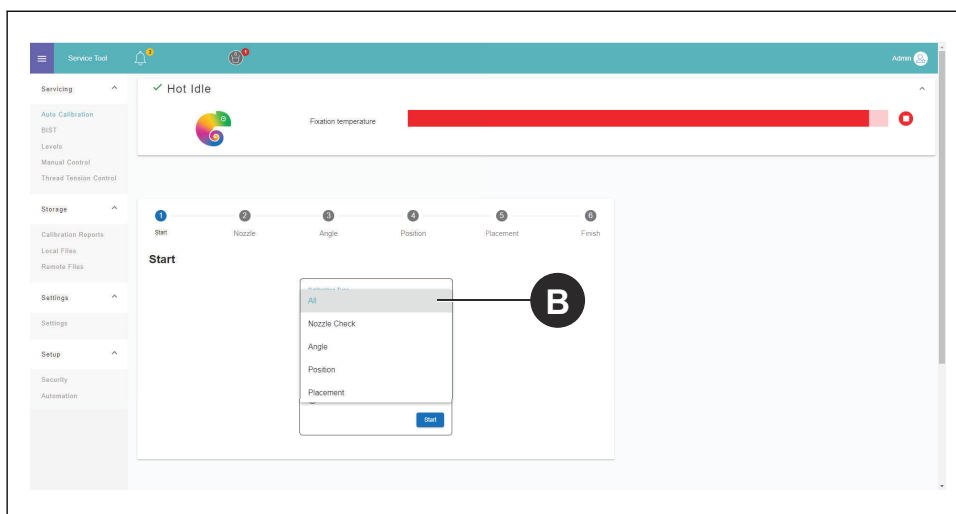
2. Appuyez sur **Start**.
3. Tirez le fil.

4. Toutes les couleurs sont calibrées en même temps et la position de chaque tête est enregistrée dans le *fichier de configuration*.



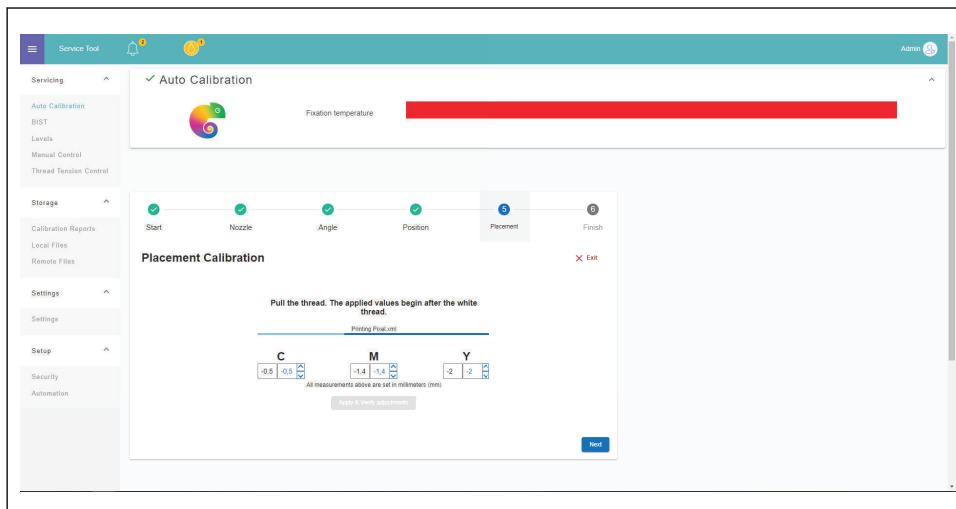
19.7 Effectuer un étalonnage du positionnement de la tête

1. À la page Étalonnage automatique, sélectionnez *Étalonnage du placement de la tête* dans la liste déroulante (B).

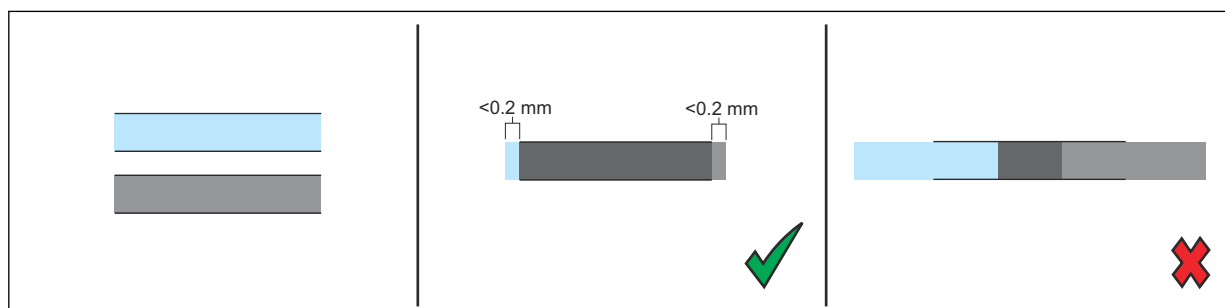


2. Appuyez sur **Start**.

3. Tirez le fil. Un motif de deux couleurs est posé sur le fil.

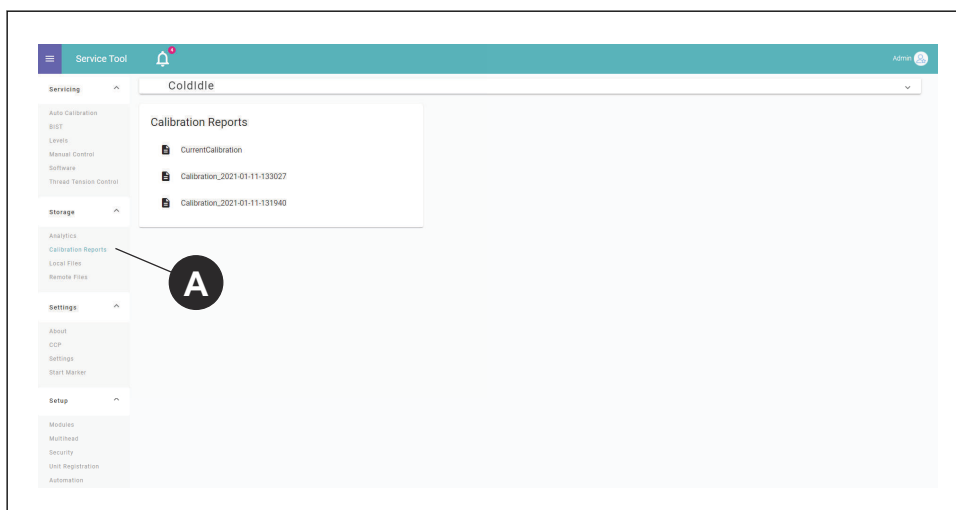


4. Assurez-vous que les couleurs sont superposées, avec un espace d'écart maximum inférieur à 0,2 mm de chaque côté.



19.8 Exécution du rapport d'étalonnage

1. Sélectionnez *Rapports d'étalonnage* (A) dans le menu de la barre latérale.



2. Cliquez sur le rapport que vous souhaitez afficher.

20 Réglages du nombre de points

20.1 Introduction

Pour améliorer la précision des changements de couleur (CCP), vous devez ajouter les informations relatives au nombre de points de la machine à broder dans les *paramètres* du site ITCU. Saisissez les informations nécessaires pour définir correctement les paramètres :

Points de saut provoquant une coupe	Nombre de points de saut consécutifs qui provoque une coupe (0-9, par défaut : 3)
Points de départ	Nombre de points d'attache intérieurs (0-10, par défaut : 4)
Points d'arrêt	Nombre de points d'attache extérieurs (0-10, par défaut : 2)
Points d'attache après rupture de fil	Nombre de points d'attache réalisés après une rupture de fil (0-10, par défaut : 0)
Longueur du point	Longueur d'un point d'attache en mm (0.1-5, par défaut : 0,5)
Supprimer les points DST sans aucune longueur (par défaut : activé)	Activé/désactivé
Capteur de points monté sur l'arbre principal	Activé/désactivé
Rotations supplémentaires de l'arbre principal lors d'une coupe	Nombre de rotations de l'arbre principal qui se produisent pendant la coupe, à l'exclusion des points d'attache (0-5, par défaut : 1)
Rotations supplémentaires de l'arbre principal lors d'un changement de couleur	Nombre de rotations de l'arbre principal qui se produisent pendant le changement de couleur, à l'exclusion des points d'attache (0-5, par défaut : 2)

20.2 Gestion des paramètres CCP

1. Sélectionnez *Réglages*.
2. Sélectionnez *Précision du changement de couleur* depuis le menu des réglages.

20.3 Alignement des paramètres de comptage de points

1. Sélectionnez *Réglages*.
2. Sélectionnez *Précision du changement de couleur* depuis le menu des réglages.

3. Ajoutez les données d'entrée dans les champs sous *Machine à broder* (A).

COLOREEL 30% 25% 20% 5% 74% 36% 26°

CCP

Active Setup

Twilly

Data Collection Method

Aggregated Sample Data

A Embroidery Machine

Jump convert
3
Number of consecutive jump stitches that causes a trim (0-9, default: 3)

Tie ins
4
Number of tie in stitches (0-10, default: 4)

Tie offs
2
Number of tie off stitches (0-10, default: 2)

Thread break ties
0
Number of tie stitches made after a thread break (0-10, default: 0)

Tie stitch length
0.5
Length of a tie stitch in mm (0.1-5, default: 0.5)

B Advanced

4. Pour accéder aux paramètres avancés, sélectionnez le bouton (B) et ajoutez les données d'entrée.

NOTICE NOTICE: Si vous n'êtes pas sûr des réglages du nombre de points de la machine à broder utilisée avec le site ITCU, consultez le manuel de votre machine à broder.

21 Remarques

Unlock your potential

Coloreel is a Swedish textile innovation brand with groundbreaking technology that enables high-quality coloring of textile thread on demand, unlocking a world of potential.

If you have questions contact us at:

info@coloreel.com

Follow us on the web or social media



Coloreel
Gjuterigatan 9
553 18 Jönköping
Sweden

www.coloreel.com

COLOREEL