

Installation Manual - Long Beams

Single Head Stand

EN

Installation manual

3-15



Contents

1 Safety.....	4	2.4 To install the adapter plate.....	9
1.1 Safety definitions.....	4	3 Dimensions.....	12
1.2 General safety instructions.....	4	3.1 Dimensions - Long Beams.....	12
2 Installation.....	5	3.2 Dimensions - Long Beams with Adapter Plate.....	13
2.1 Installation Kit - Long Beams.....	5	4 Terminology and abbreviations.....	14
2.2 To install the long beams.....	5		
2.3 Installation Kit - Adapter Plate.....	8		

1 Safety

1.1 Safety definitions

Warnings, cautions and notes are used to point out especially important parts of the manual.



Warning: Used if there is a risk of injury or death for the operator or bystanders if the instructions in the manual are not followed correctly.



Caution: Used if there is a risk of damage to the product, other materials or the adjacent area if the instructions in the manual are not followed correctly.



Note: Used to give additional information necessary for basic use of the product.

1.2 General safety instructions



Warning: Always read the warning instructions that follow before using the product.

- Read and understand the Operator's Manual, Installation manual and all the instructions on the product carefully before use.
- Do not install, operate or do service and maintenance if you do not fully understand the instructions or how to use the provided parts and products.
- The product creates an electromagnetic field during operation. This field may under some circumstances interfere with active or passive medical implants. To reduce the risk of serious or fatal injury we recommend people with medical implants to consult their physician and the medical implant manufacturer before operating this product.
- The product is approved only with the equipment supplied or recommended by the manufacturer. Failure to use approved equipment can cause damage to the product.
- Electrical shocks can cause injuries. Do not touch the cables when the product is turned on.
- Always follow the instructions provided on the touchscreen.

1.3 Safety instructions for installation



Warning: Only let an approved service technician install and do service on the floor stand. A floor stand that is not installed correctly can fall and cause personnel injury.

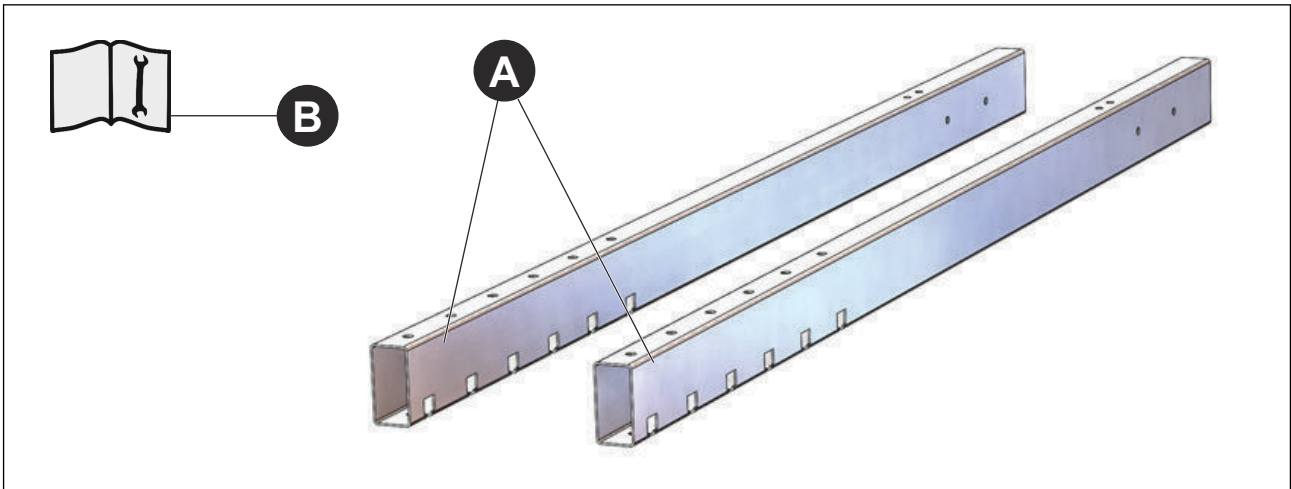


Warning: Read the warning instructions that follow before you install the floor stand and the ITCU.

- Always be a minimum of 3 persons during installation. Risk of personal injury.
- The installation procedure described in this manual is recommended by Coloreel for safe operation of the ITCU. Do not install the floor stand or the ITCU in any other way.
- Regularly make sure that the floor stand is stable and that the ITCU is correctly installed to the floor stand. Risk of personal injury or death to the operator.
- Make sure that the surface where the floor stand and ITCU are installed on, can withstand the weight of the products used in the installation.
- Make sure that the floor stand is installed correctly and on a dry, horizontal surface.
- For indoor use only.

2 Installation

2.1 Installation Kit - Long Beams



Reference	Amount	Name
A	2	Long Beams
B	1	Installation instructions

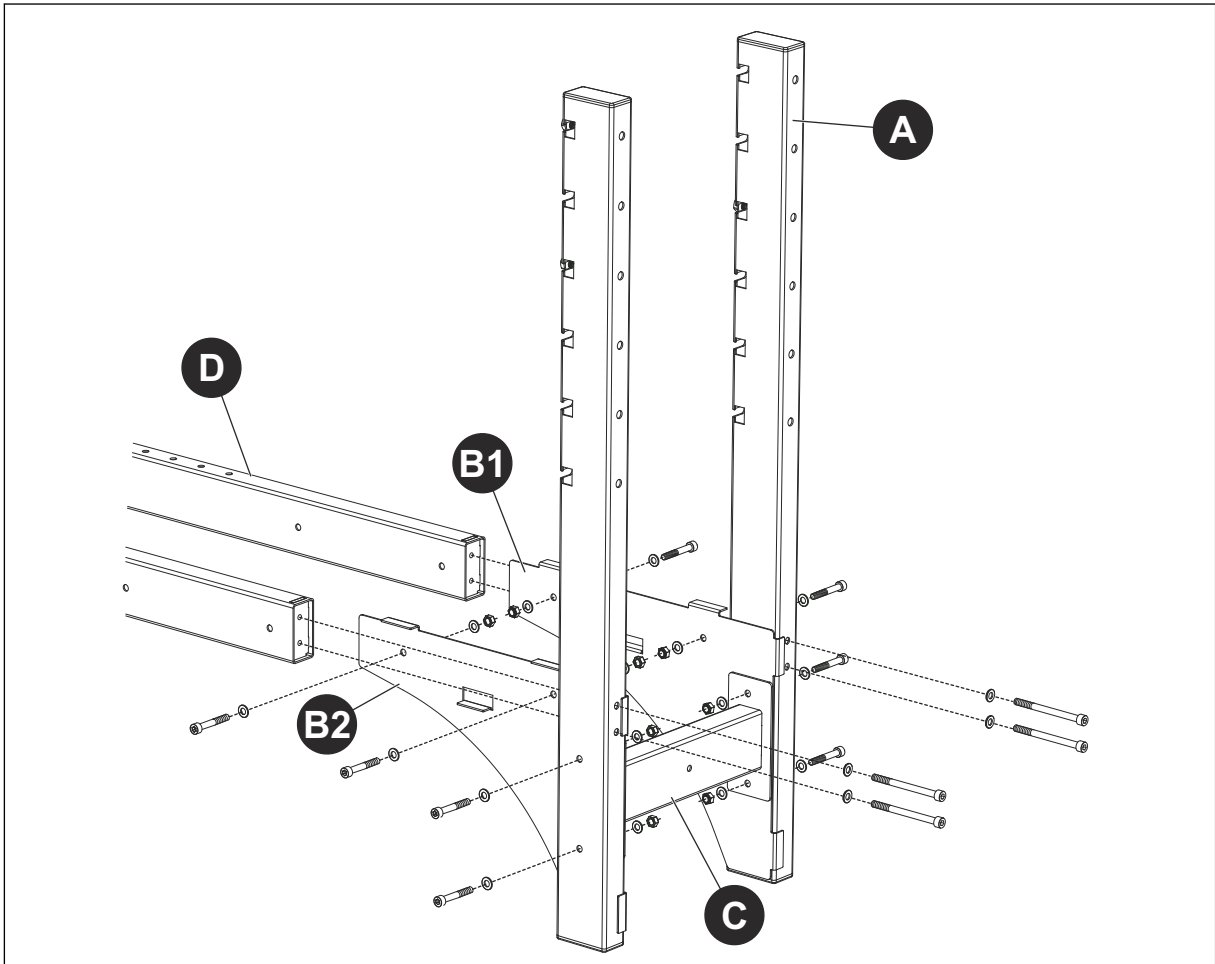
2.2 To install the long beams



Warning: Read the *Installation manual - Single Head Stand* before you attach the long beams to the floor stand. Make sure that you understand the safety instructions.

If the floor stand is not assembled, follow the installation manual for the single head stand. Attach the long beams with the same procedure as the standard upper beams. Refer to the *Installation manual - Single Head Stand*.

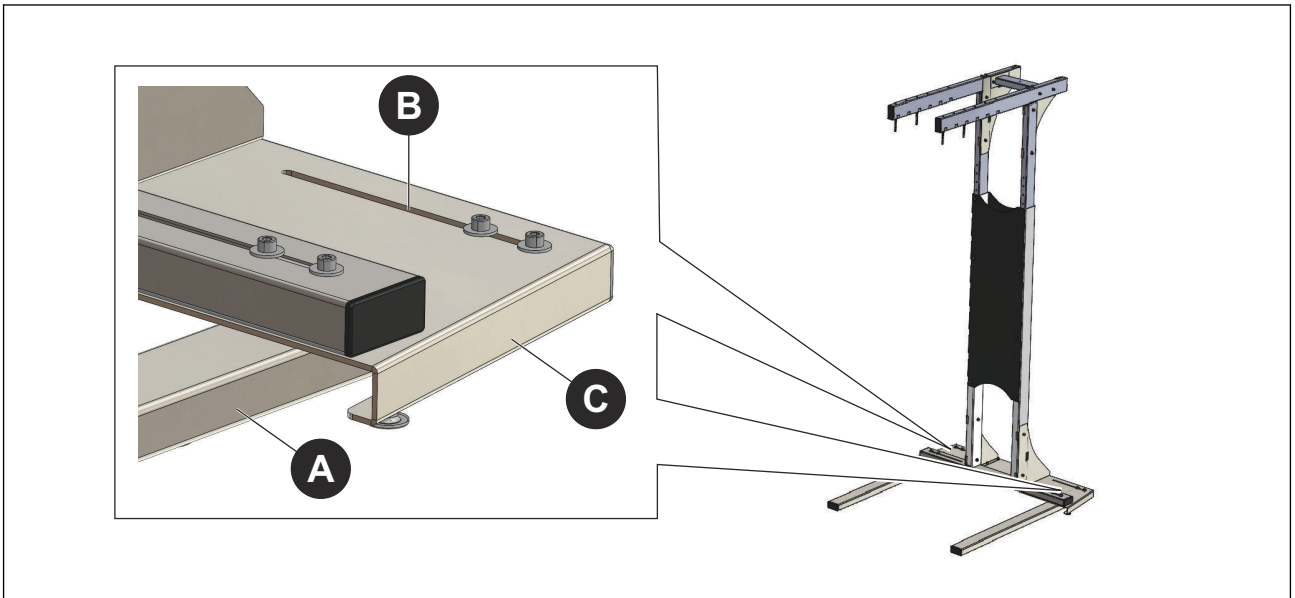
1. Remove the bolts and disassemble the standard upper beams (A), the top support plates (B1, B2) and the mid support (C) from the height adjustment beams (D).



2. Install the top support plates and the mid support to the long beams. Install the height adjustment beams to the top support plates and long beams. Use the bolts, washers and nuts that was removed in step 1. The installation of the long beams is done with the same procedure as the standard upper beams. Refer to the *Installation manual - Single Head Stand* for a more detailed instruction.



3. Put the floor stand in position, adjust the floor beams (A) if it is necessary.

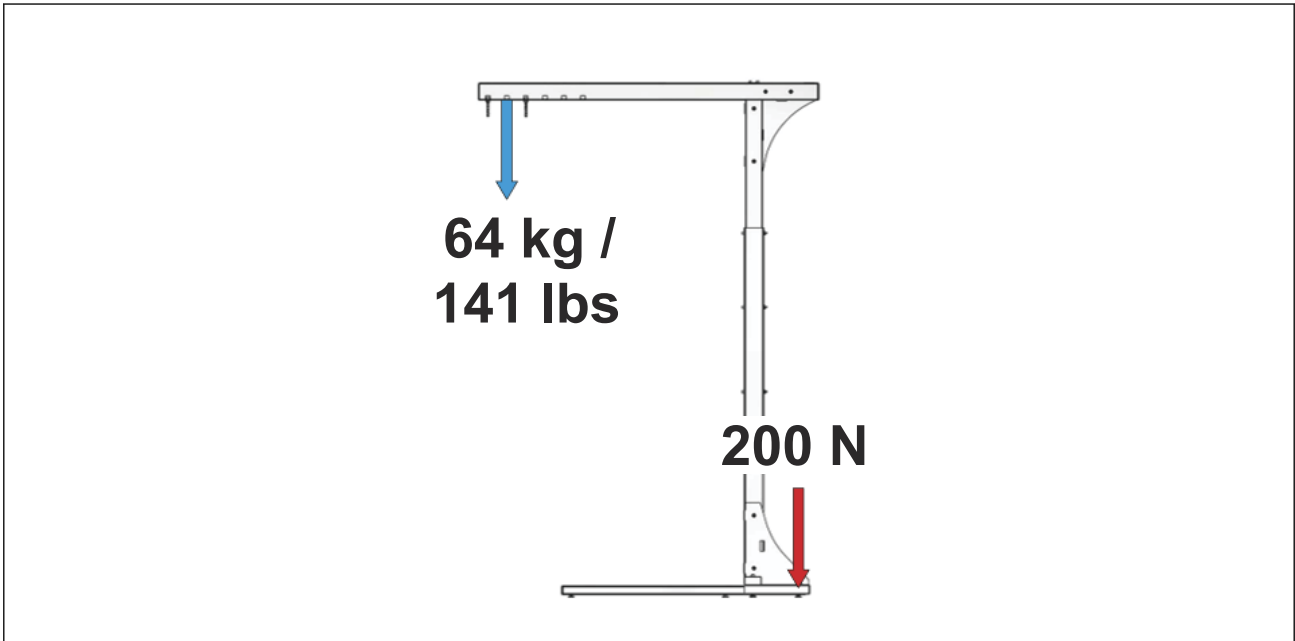


4. Put the fastener (not included) through the guide (B) as close to the edge of the base plate (C) as possible. Attach the floor stand on both sides of the height adjustment beams.



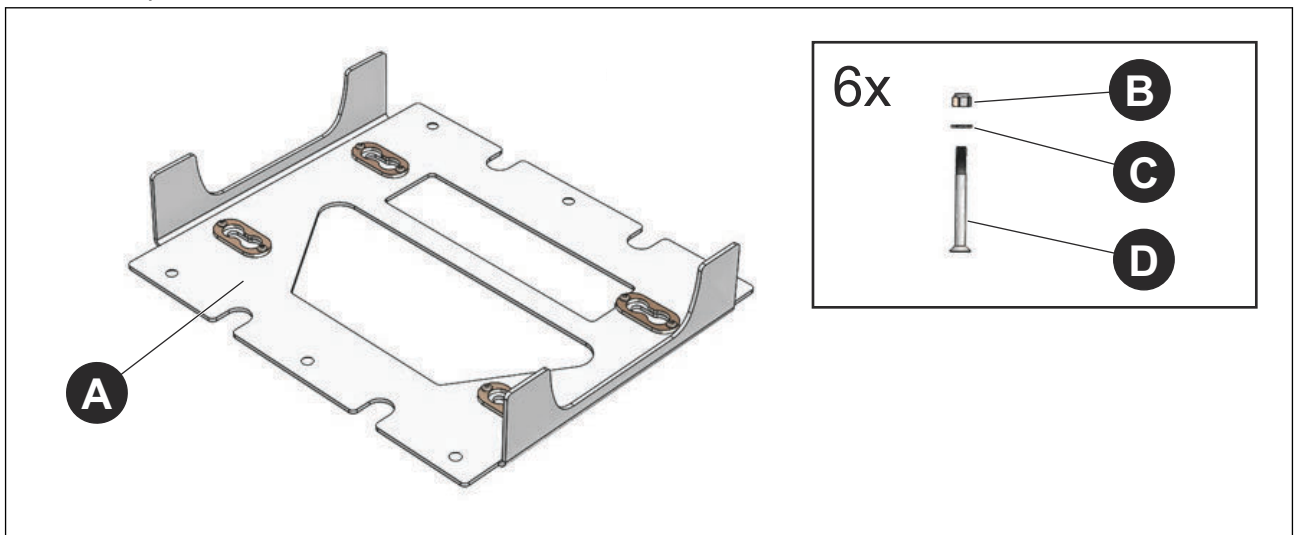
Warning: Make sure that you use the correct installation method for your type of floor. A floor stand that is not installed correctly can fall and cause personnel injury.

- Attach the fastener to the floor and make sure that the installation of the single head stand can withstand a force of a minimum of 200 N for each of the 2 fasteners that is attached to the floor.



2.3 Installation Kit - Adapter Plate

The adapter plate is an accessory to the single head stand and the long beams. The adapter plate is used with the long beams to install the ITCU parallel to the long beams. Refer to *Dimensions* in chapter 3.



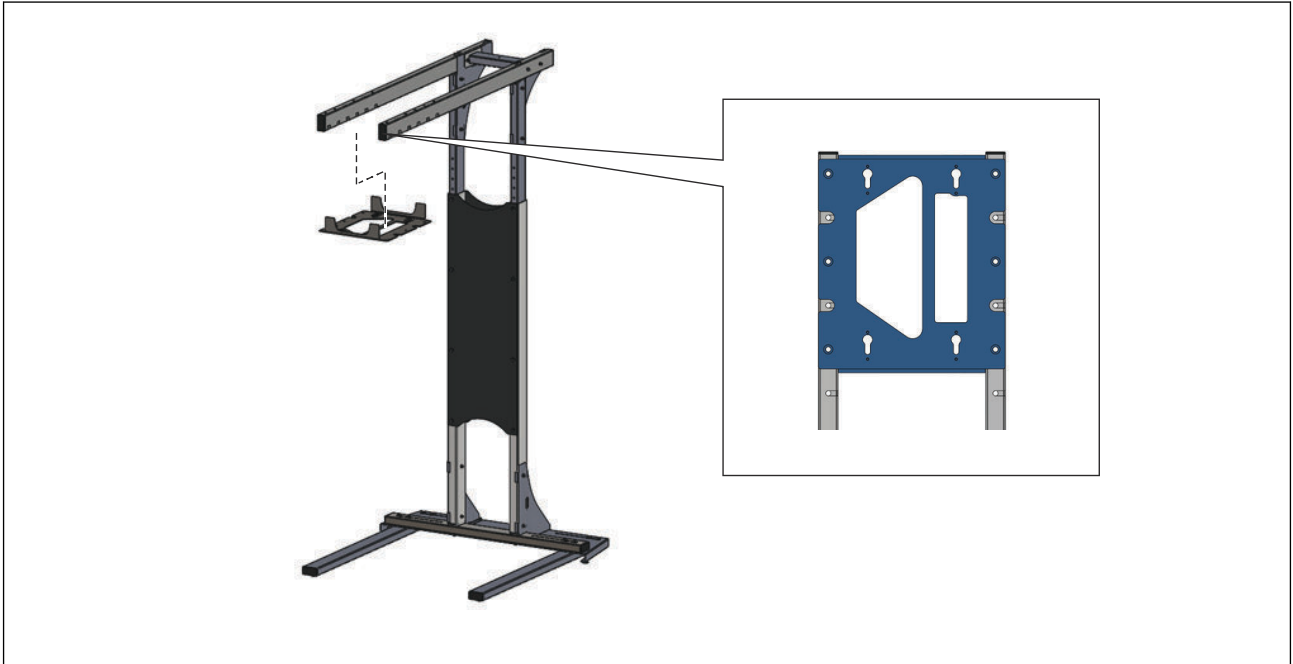
Reference	Amount	Name
A	1	Adapter Plate
B	6	Locking nut
C	6	Washer
D	6	Bolt

2.4 To install the adapter plate

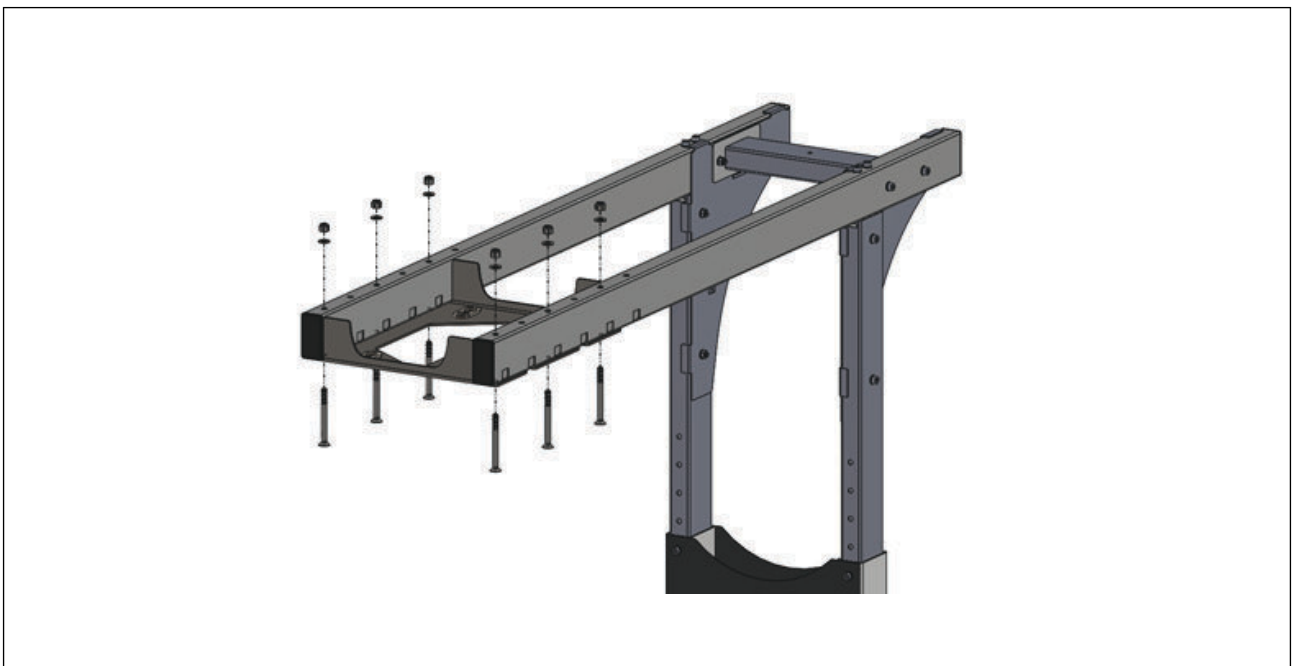


Warning: Read the *Installation manual - Single Head Stand* before you attach the adapter plate to the floor stand. Make sure that you understand the safety instructions.

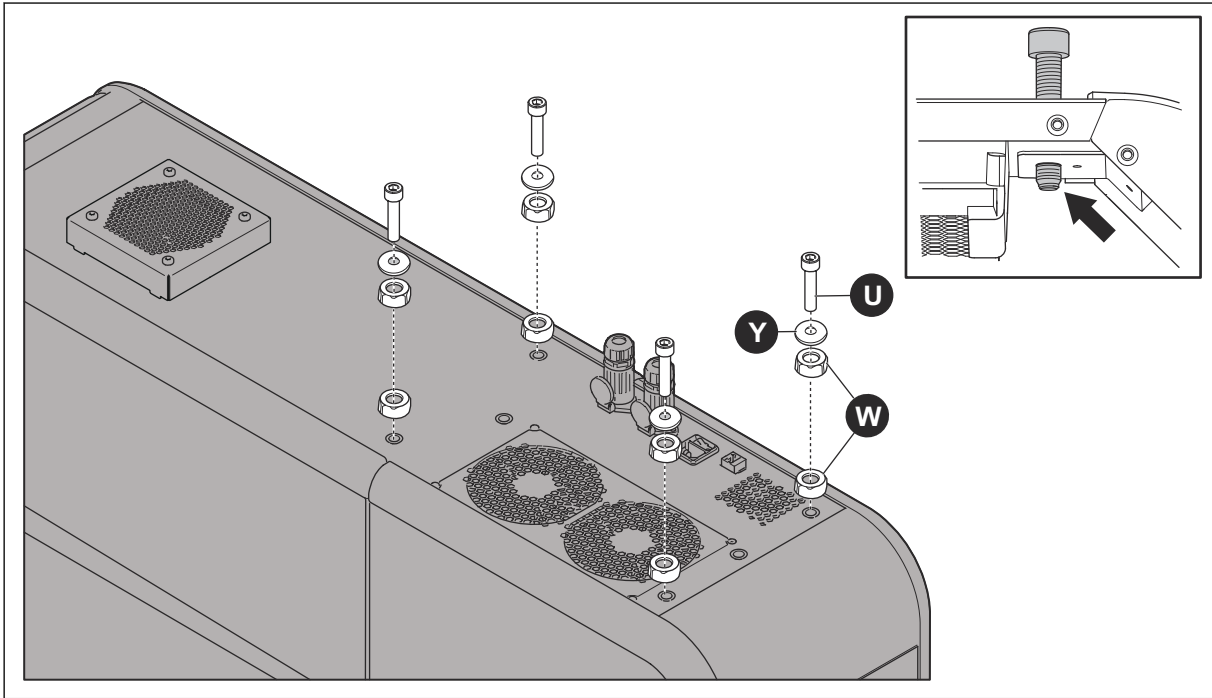
1. Install the long beams. Refer to chapter [2.2](#).
2. Install the the adapter plate as shown in the illustration.



3. Install the bolts, washers and nuts. Tighten the bolts with 46 Nm.



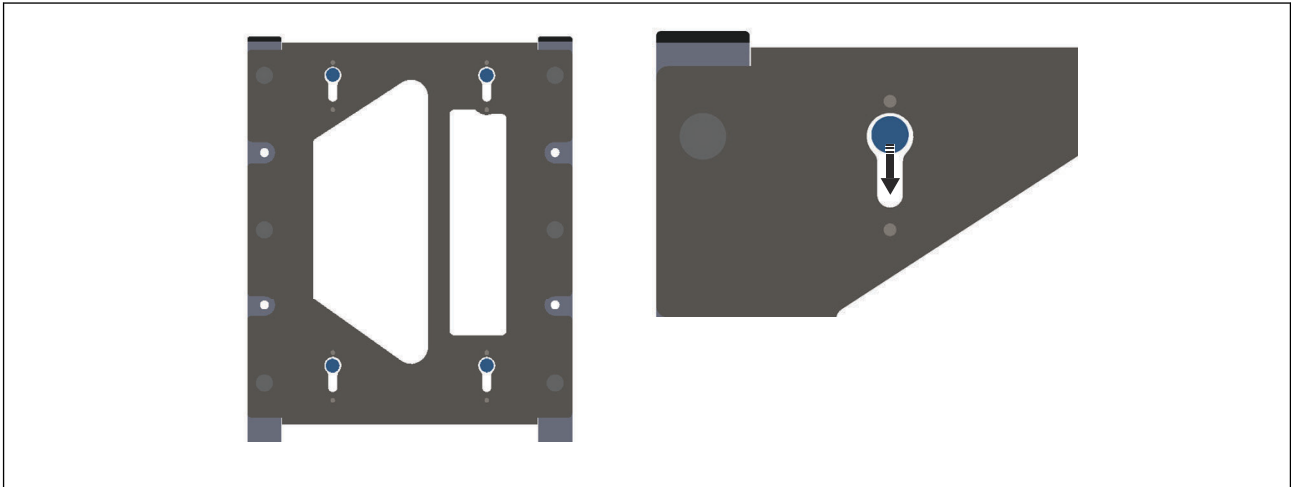
4. If the ITCU is installed for the first time, use the bolts, washers and nuts that is included with the installation kit for the single head stand and the ITCU. Install the bolts (U), the washers (Y) and the nuts (W) to the frame plate of the ITCU. Refer to the *Installation manual - Single Head Stand*.



5. Open the hatch and make sure that the bolts are visible on the inside of the unit.
6. Close the hatch.
7. Lift up the ITCU and align the 4 bolts with the 4 holes in the adapter plate.



8. Insert the 4 bolts into the 4 holes and push the ITCU into position. Refer to the *Installation manual - Single Head Stand* for information on how to make the ITCU level and how to put the embroidery machine in position.

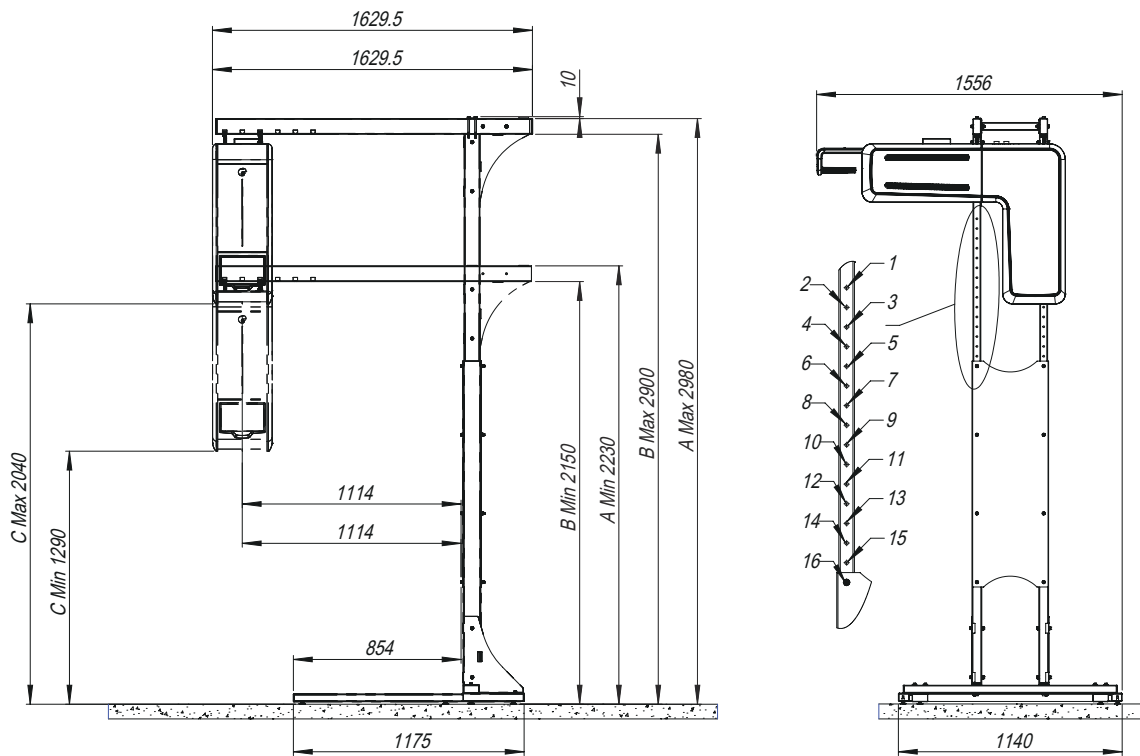


9. Tighten the nuts (W) to lock and secure the ITCU.

3 Dimensions

3.1 Dimensions - Long Beams

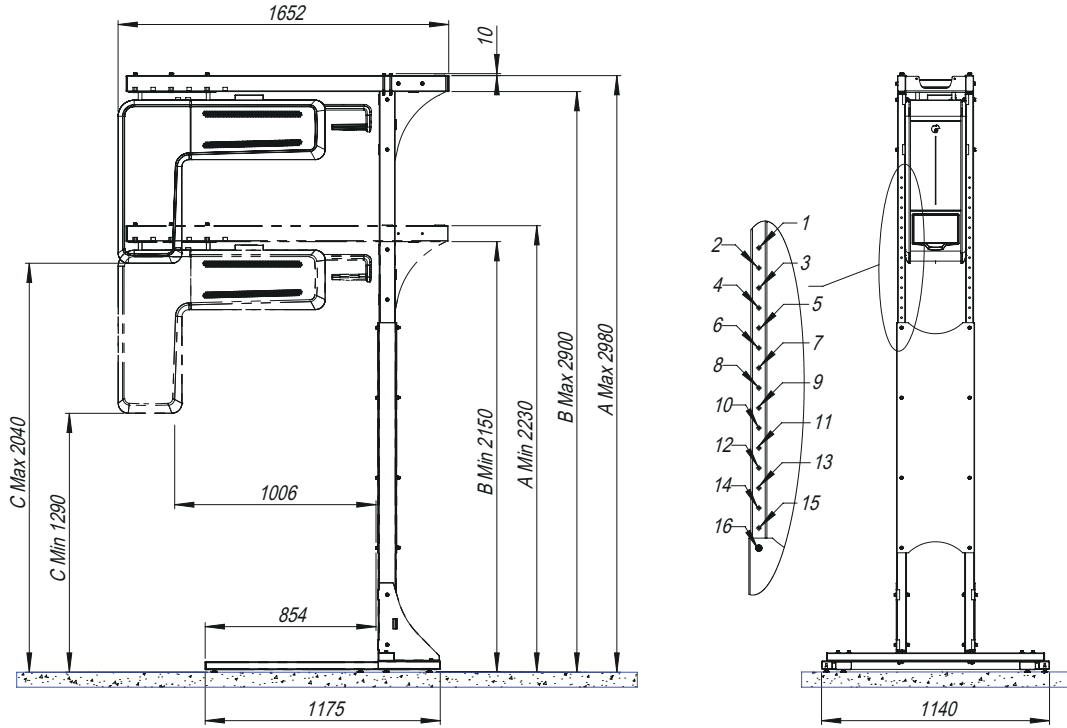
Dimensions in mm.



	A	B	C
1	2230	2150	1290
2	2280	2200	1340
3	2330	2250	1390
4	2380	2300	1440
5	2430	2350	1490
6	2480	2400	1540
7	2530	2450	1590
8	2580	2500	1640
9	2630	2550	1690
10	2680	2600	1740
11	2730	2650	1790
12	2780	2700	1840
13	2830	2750	1890
14	2880	2800	1940
15	2930	2850	1990
16	2980	2900	2040

3.2 Dimensions - Long Beams with Adapter Plate

Dimensions in mm.



	A	B	C
1	2230	2150	1290
2	2280	2200	1340
3	2330	2250	1390
4	2380	2300	1440
5	2430	2350	1490
6	2480	2400	1540
7	2530	2450	1590
8	2580	2500	1640
9	2630	2550	1690
10	2680	2600	1740
11	2730	2650	1790
12	2780	2700	1840
13	2830	2750	1890
14	2880	2800	1940
15	2930	2850	1990
16	2980	2900	2040

4 Terminology and abbreviations

ITCU	Instant Thread Coloring Unit.
Long beams	Long beams are upper beams that are 0.5 m /1.6 ft. longer than standard upper beams.
Adapter plate	Used with long beams to install the ITCU parallel to the long beams.
Single head stand	A floor stand for 1 ITCU.

Unlock your potential

Coloreel is a Swedish textile innovation brand with groundbreaking technology that enables high-quality coloring of textile thread on demand, unlocking a world of potential.

If you have questions contact us at:

info@coloreel.com

Follow us on the web or social media



Coloreel
Gjuterigatan 9
553 18 Jönköping
Sweden

www.coloreel.com

COLOREEL