

COLOREEL®

Installation Manual - Single Head Stand

North America

EN	Installation manual	3-33
ES-MX	Manual de instalación	35-65
FR-CA	Manuel d'installation	67-97

Contents

1	Safety	4	5	Priming ITCU	23
1.1	Safety Alert Symbols and Signal Words.....	4	5.1	Using the Priming Function.....	23
1.2	General safety instructions.....	4	6	Auto-Calibrating ITCU	24
1.3	Safety instructions for installation.....	4	6.1	Introduction	24
2	Parts listing	6	6.2	Auto-Calibration.....	24
2.1	Introduction.....	6	6.3	To do an auto calibration.....	24
2.2	Floor Stand Parts.....	7	6.4	Performing a Nozzle check.....	25
2.3	Floor Stand Hardware.....	8	6.5	Performing a Head Angle Calibration.....	26
3	Parts Assembly	10	6.5.1	To adjust the colors.....	26
3.1	Introduction.....	10	6.6	Performing a Head Position Calibration.....	27
3.2	Floor Stand Assembly.....	10	6.7	Performing a Head Placement Calibration.....	28
3.3	ITCU attachment to Floor Stand.....	16	6.8	Performing Calibration Report.....	29
3.4	Transport Lock.....	19	7	Stitch Count Settings	30
4	Network Setup	21	7.1	Introduction.....	30
4.1	Introduction	21	7.2	Managing CCP Settings.....	30
4.2	To connect a Coloreel ITCU to a network.....	21	7.3	Aligning Stitch Count Settings.....	30
4.3	To connect a Coloreel ITCU to a local network.....	21	8	Notes	32

1 Safety

1.1 Safety Alert Symbols and Signal Words

This Installation Manual contains Safety Alert Symbols, Notice Symbols and Signal Words. These symbols and words are pictured and explained below. Each Safety Alert Symbol, Notice Symbol and Signal Word points out hazards or provides other important information for the safe and proper installation of this Product.



WARNING: This Safety Alert Symbol and Signal Word indicate a hazardous situation that, if not avoided, could result in Death or Serious Injury.



CAUTION: This Safety Alert Symbol and Signal Word indicate a hazardous situation that, if not avoided, could result in Moderate or Minor Injury.



NOTICE: This Notice Symbol and Signal Word indicate important information.

1.2 General safety instructions



WARNING: Before beginning installation of this Product, carefully read, fully understand and follow each of the below General Safety Instructions; failing to do so could result in Death or Serious Injury to you or a bystander.

- Follow all safety messages and instructions in this Installation Manual, and all directions provided on the Product's touchscreen, while installing this Product.
- This Product creates an electromagnetic field during operation. This field may interfere with active or passive medical implants. Persons with medical implants should consult their physician before attempting installation of this Product.
- This Product's cables carry electrical voltage. Exposure to electrical voltage may cause electrical shock. Do not touch this Product's cables when the Product is plugged in.
- This Installation Manual contains safety messages and maintenance instructions required to be followed after installation is complete. Do not discard this Installation Manual. Maintain this Installation Manual in a dry, easy-to-find location.
- If you have any question about any safety message or instruction contained in this Installation Manual, contact Coloreel Support at <https://www.coloreel.com/support> before beginning installation of this Product.

1.3 Safety instructions for installation



WARNING: Before beginning installation of this Product, carefully read, fully understand and follow each of the below Safety Instructions for Installation; failing to do so could result in Death or Serious Injury to you or a bystander.



WARNING: Read the warning instructions that follow before you install the floor stand and the Coloreel unit.

- This Product is to be installed only by trained service technicians.
- Several parts of this Product are large or heavy, and certain steps in installing this Product require at least three trained service technicians. This Product is to be installed with a minimum of three trained service technicians.
- Safe installation and operation of this Product requires that each step in installing this Product be performed in the manner instructed in this Installation Manual.

NOTICE **NOTICE:** All directions in this Instruction Manual — such as “left,” “right,” “front” and “rear” — are provided from the perspective of a person facing the as-assembled Product.

2 Parts listing

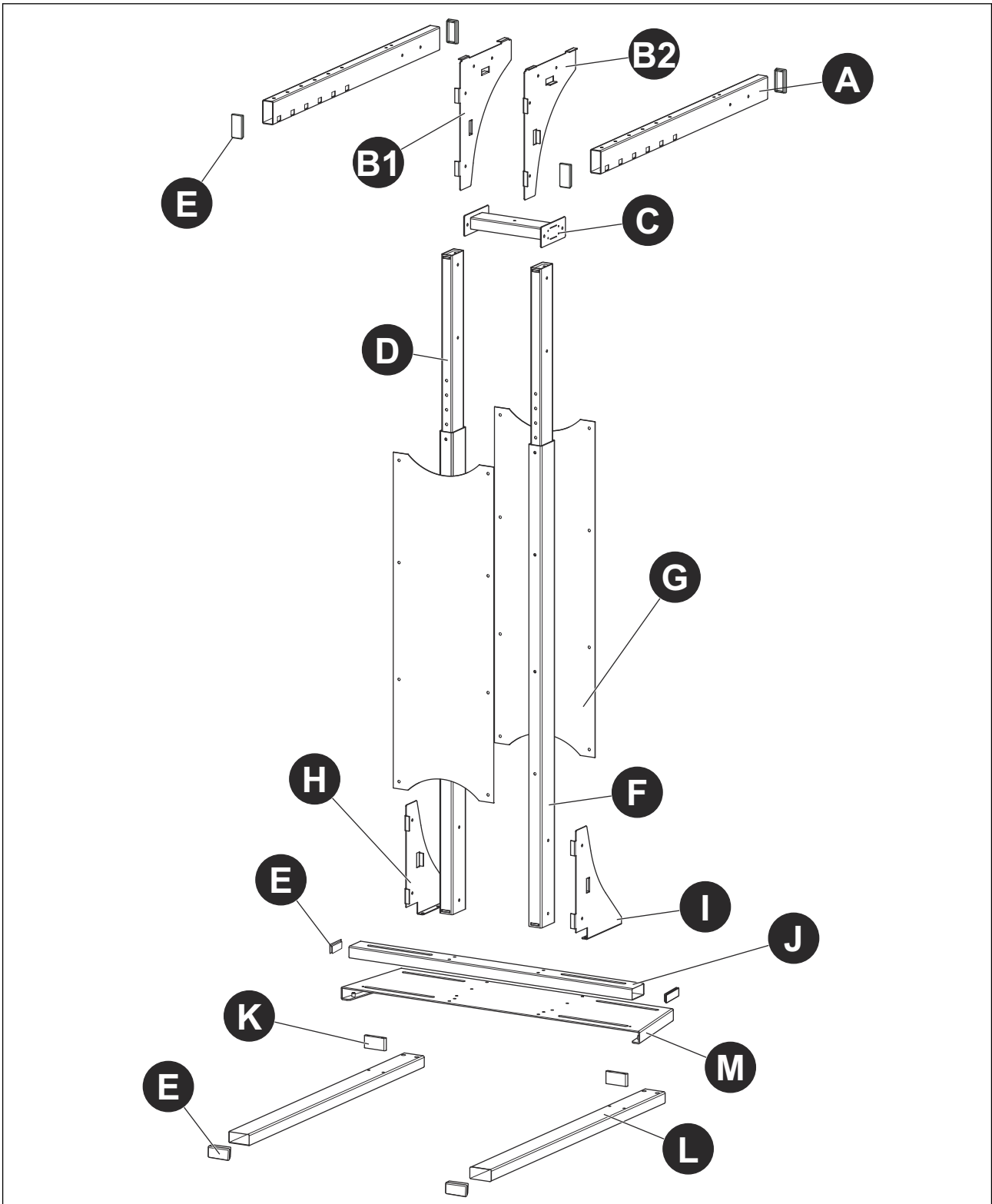
2.1 Introduction

Your Coloreel® Instant Thread Color Unit — or ITCU — is provided with the parts and hardware pictured and listed below.



WARNING: Each part and hardware item pictured and listed below is required for safe and proper installation and operation of the Product. Failing to properly install any part or hardware item during the Product's installation could result in Death or Serious Injury to you, this Product's user or a bystander. If you believe any part or hardware item is missing or is damaged, contact Coloreel Support at <https://www.coloreel.com/support> before beginning installation of this Product.

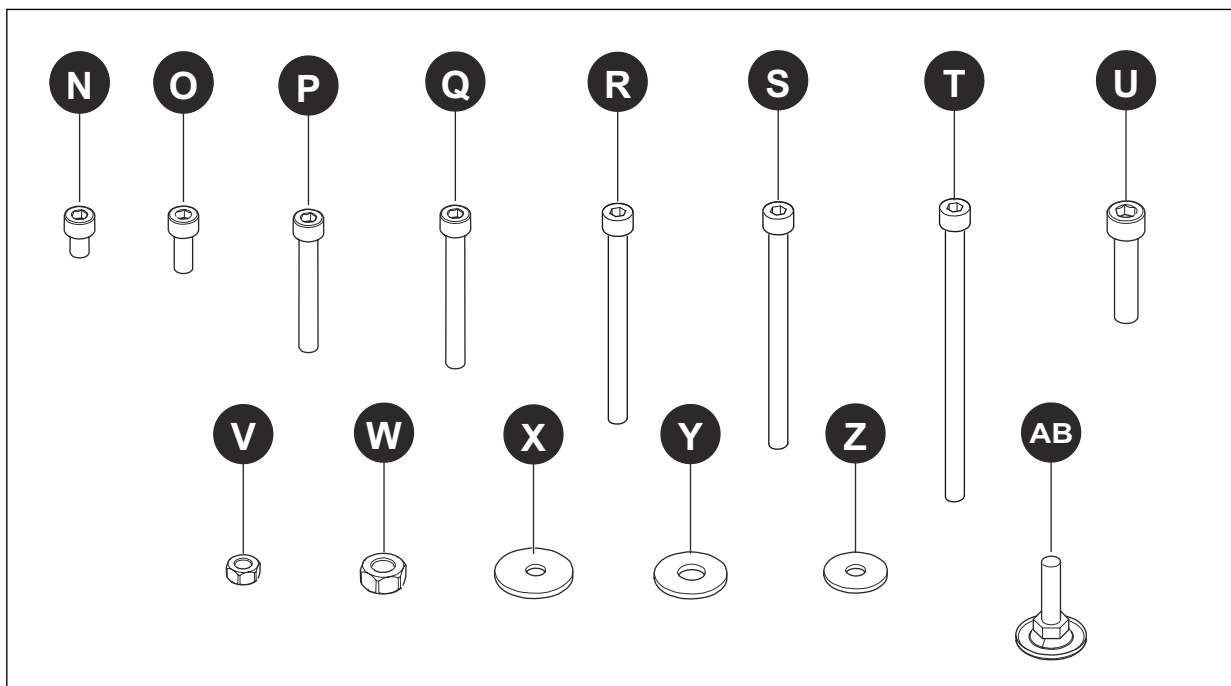
2.2 Floor Stand Parts



Reference	Amount	Name
A	2	Upper beam
B1	1	Left top support plate

Reference	Amount	Name
B2	1	Right top support plate
C	1	Mid support
D	2	Height adjustment beam
E	8	End covers
F	2	Lower beam
G	2	Sheet cover
H	1	Left bottom support plate
I	1	Right bottom support plate
J	1	Base beam
K	2	Nutplate
L	2	Floor beam
M	1	Base plate

2.3 Floor Stand Hardware



Reference	Amount	Name
N	2	Bolt, M6x12
O	18	Bolt, M8x20
P	4	Bolt, M8x55
Q	8	Bolt, M8x60
R	4	Bolt, M8x65
S	4	Bolt, M8x100
T	8	Bolt, M8x110
U	4	Bolt, M10x80 FT
V	26	Nut, M8

Reference	Amount	Name
W	4	Nut, M10
X	8	Washer, 8.4x24x2
Y	4	Washer, 10.5x20x2
Z	60	Washer, 8.4x16x1.6
AB	8	Adjustable feet

3 Parts Assembly

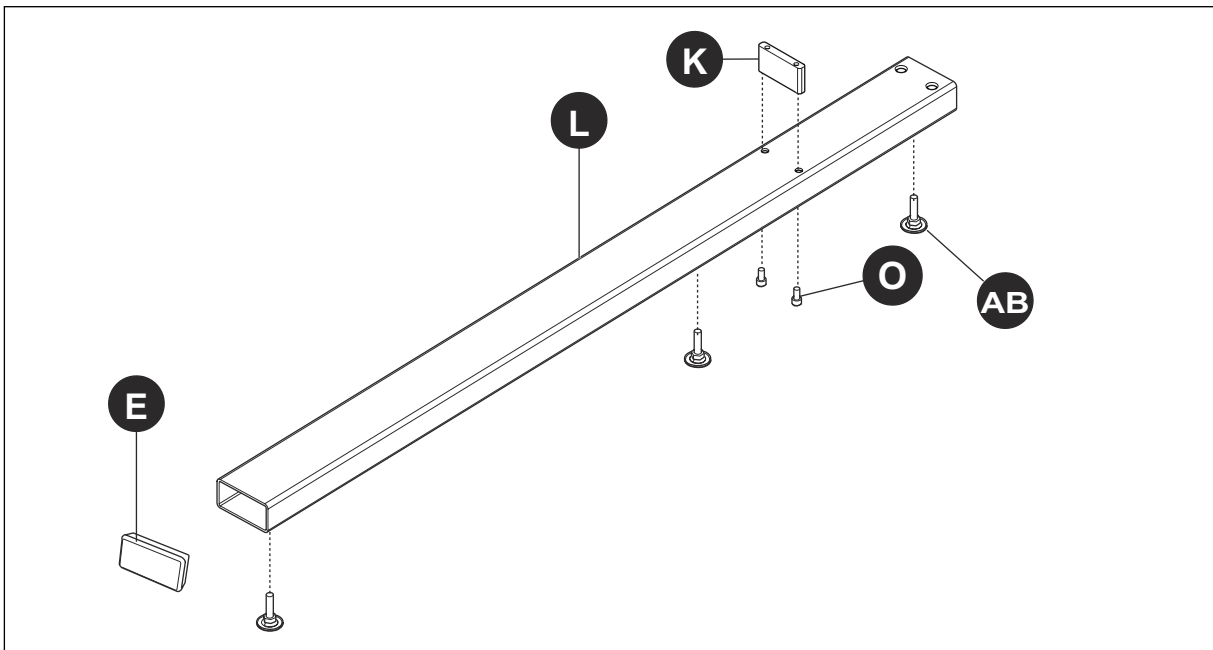
3.1 Introduction

NOTICE NOTICE: Proper installation of the ITCU requires:

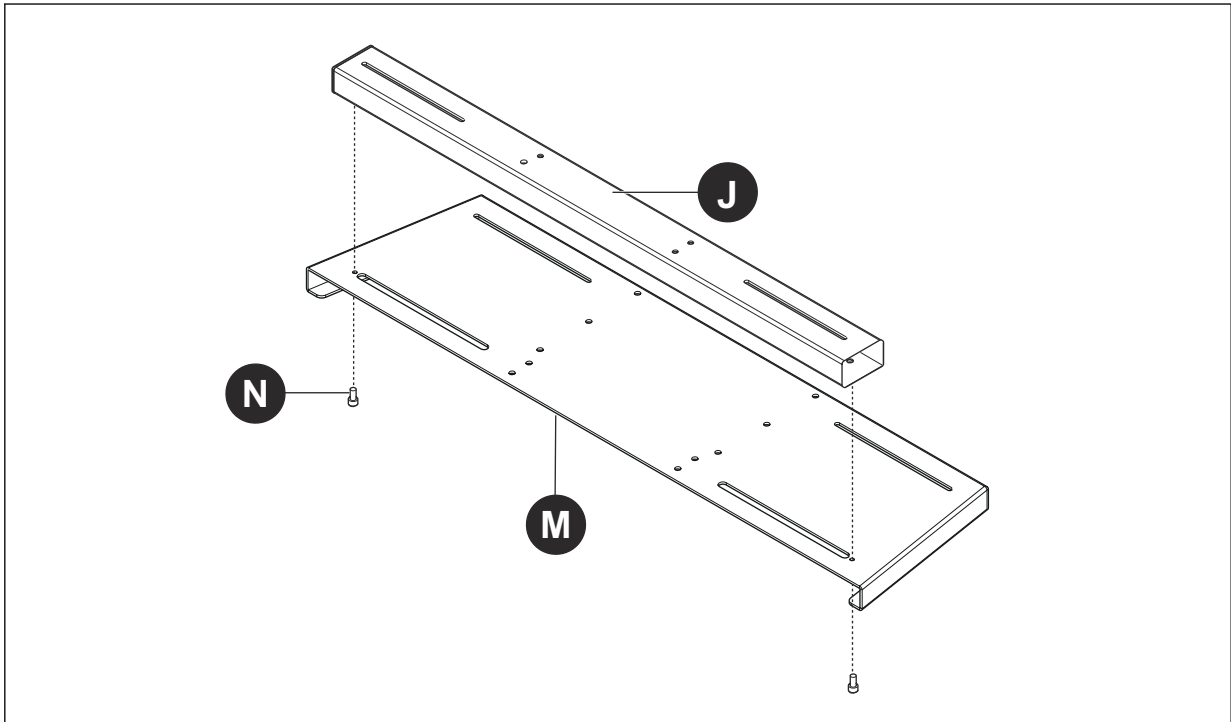
- The ITCU be installed in a location having a minimum distance of 8 ½ feet between the floor and ceiling, or between the floor and any object located beneath the ceiling that is within a 12-inch radius of the top of the unit's as-assembled Floor Stand; and
- The ITCU be installed level with the horizontal plane, and cannot be installed or operated at an angle exceeding 3° from the horizontal plane; and
- The distance between the ITCU's Exit Feeder and the embroidery needle be as short as possible for best color precision, and the distance between the Exit Feeder Port to the embroidery needle should not exceed 36 inches; and
- The ITCU be installed so that the angle of the unit's Exit Feeder Port to the embroidery needle does not exceed 10° from the vertical plane.

3.2 Floor Stand Assembly

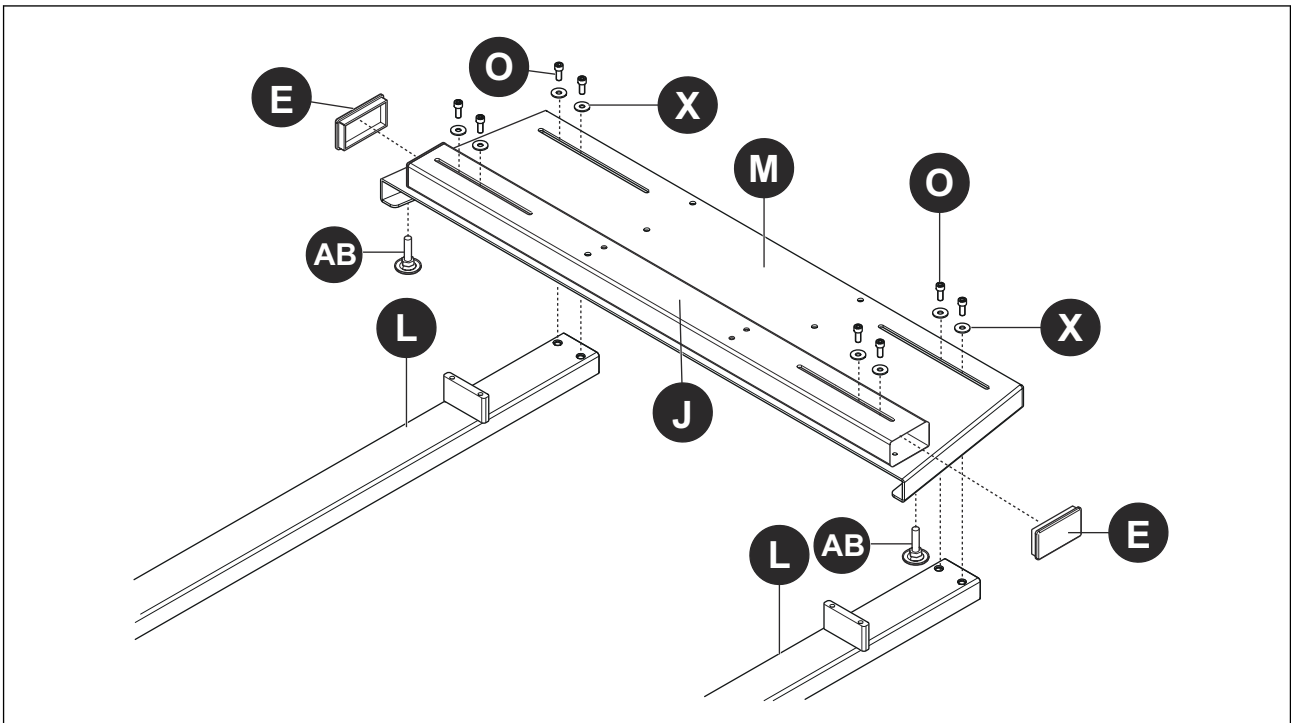
1. Install Adjustable Feet (AB) to each Floor Beam (L). Do not tighten Adjustable Feet (AB) at this Step. Attach Nut Plates (K) to each Floor Beam (L) with 2 Bolts (O); tighten Bolts (O). Install End Covers (E) on each end of each Floor Beam (L).



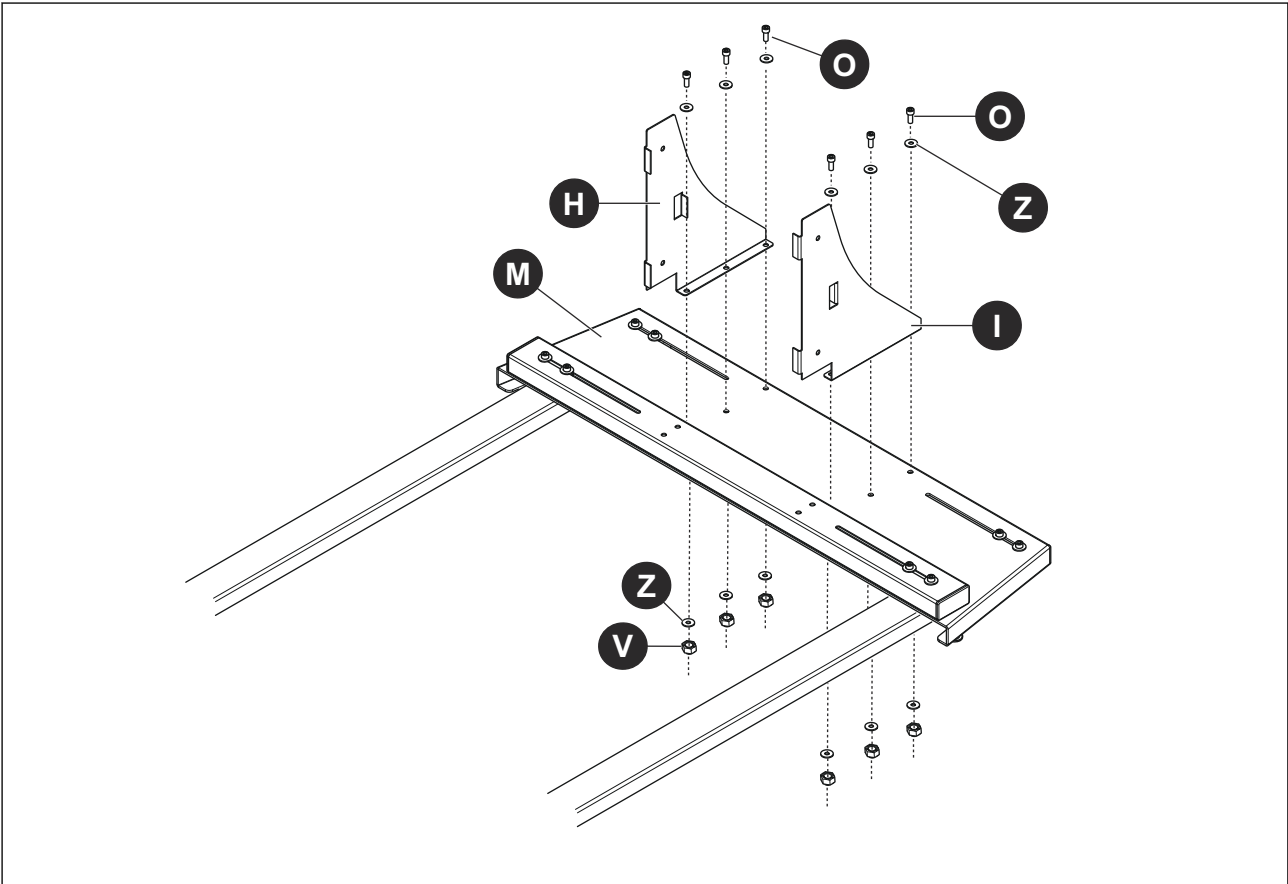
2. Attach Base Beam (J) to Base Plate (M) with 2 (N); tighten Bolts (N).



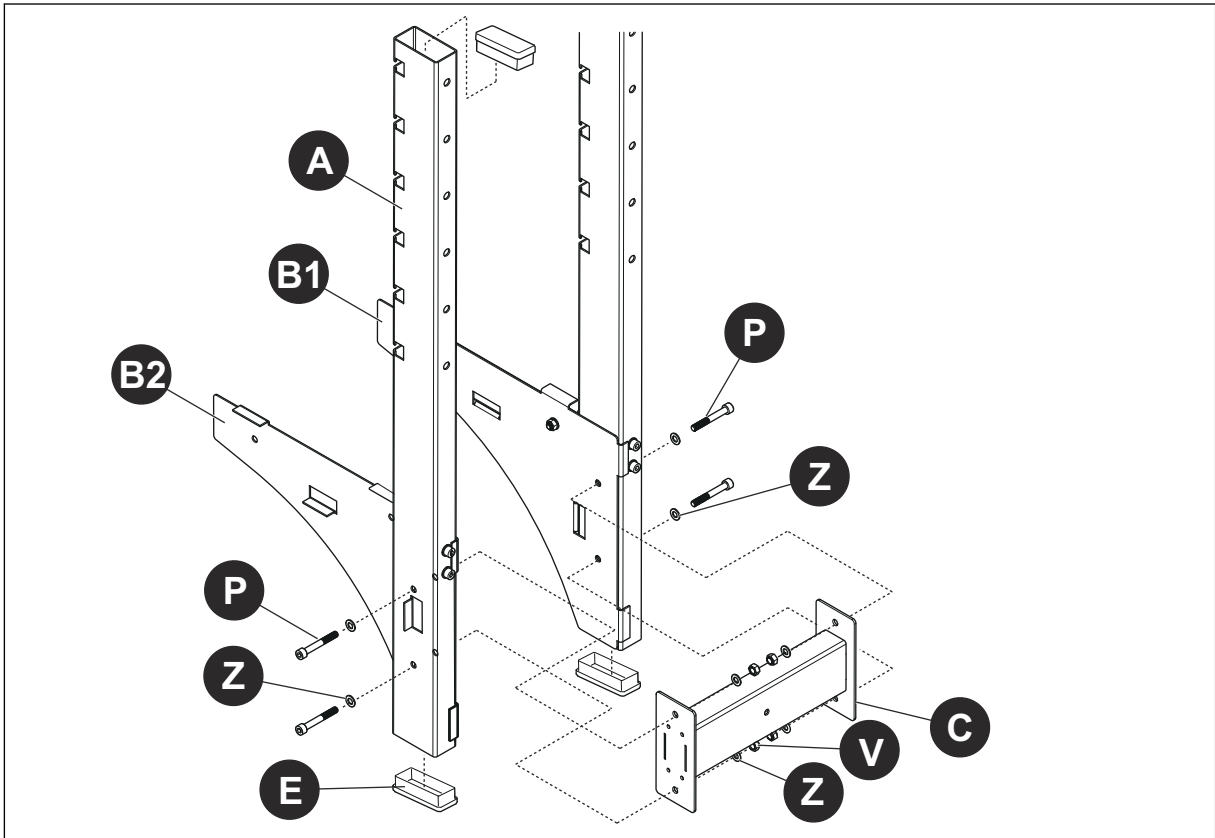
3. Attach Adjustable Feet (AB) to Base Plate (M). Do not tighten Adjustable Feet at this Step. Attach Base Plate (M) to each Floor Beam (L) with 4 Bolts (O) and 4 Washers (X) per Floor Beam; tighten all Bolts (O). Install End Covers (E) to each end of Base Beam (J).



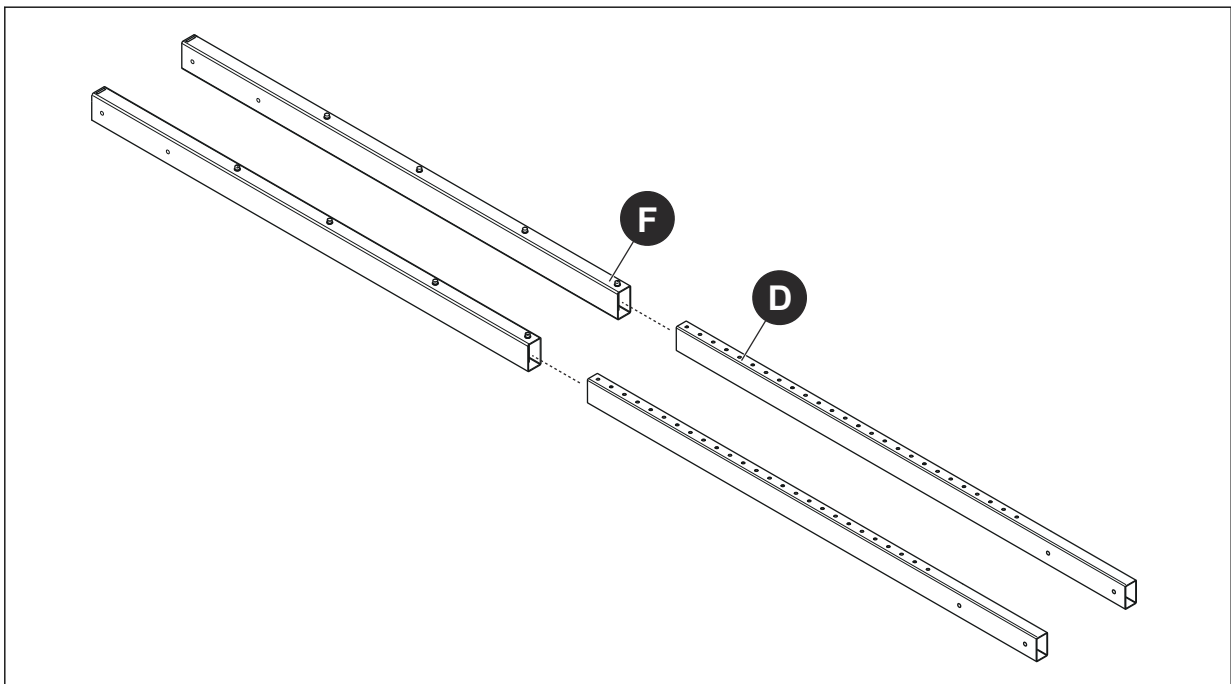
4. Attach left Bottom Support Plate (H) to top of Base Plate (M) with 3 Bolts (O) and 3 Washers (Z). Attach right Bottom Support Plate (I) to Base Plate (M) with 3 Bolts (O) and 3 Washers (Z). Beneath Base Plate (M), install 3 Nuts (V) and 3 Washers (Z) per Bottom Support Plate (H, I). Tighten all Bolts (O) and Nuts (V).



5. **NOTICE** **NOTICE:** The front of each Upper Beam (A) has six slots extending across the bottom side of the beam; the rear of each Upper Beam (A) has two holes extending through the sides of the beam. Extending from the outside face of each Top Support Plate (B) are six flanges. The top of each Top Support Plate (B) is longer than the bottom of the plate. The front of each Top Support Plate (B) is straight, and the rear of each plate is tapered.
 - a. Place rear of 1 Upper Beam (A) against outer face of a Top Support Plate (B). Loosely connect rear of Upper Beam (A) to Top Support Plate (B) by inserting Bolt (P) and Washer (Z) into each hole in outside face of Upper Beam (A), and through inside face of Top Support Plate (B).
 - b. Mount Mid Support Bracket (C) onto the 2 Bolts (P) extending from inside face of Top Support Plate (B); install Washers (Z) and Nuts on each Bolt (P) and tighten.
 - c. Place rear of second Upper Beam (A) against outer face of second Top Support Plate (B). Loosely connect rear of the Upper Beam (A) to Top Support Plate (B) by inserting Bolt (P) and Washer (Z) into each hole in outside face of Upper Beam (A) and through inside face of Top Support Plate (B).
 - d. Mount Mid Support Bracket (C) onto the 2 Bolts (P) extending from inside face of the second Top Support Plate (B); install Washers (Z) and Nuts on each Bolt (P) and tighten.



6. Insert Height Adjustment Beams (D) into Lower Beams (F). Position each Height Adjustment Beam (D) in Lower Beam (F) so that when ITCU is installed on Top Support Plates (A), the distance between the ITCU's Exit Feeder and the embroidery needle does not exceed 36 inches. Make sure holes in each Height Adjustment Beam (D) aligns with the 4 holes on each side of Lower Beam (F) into which it is inserted.



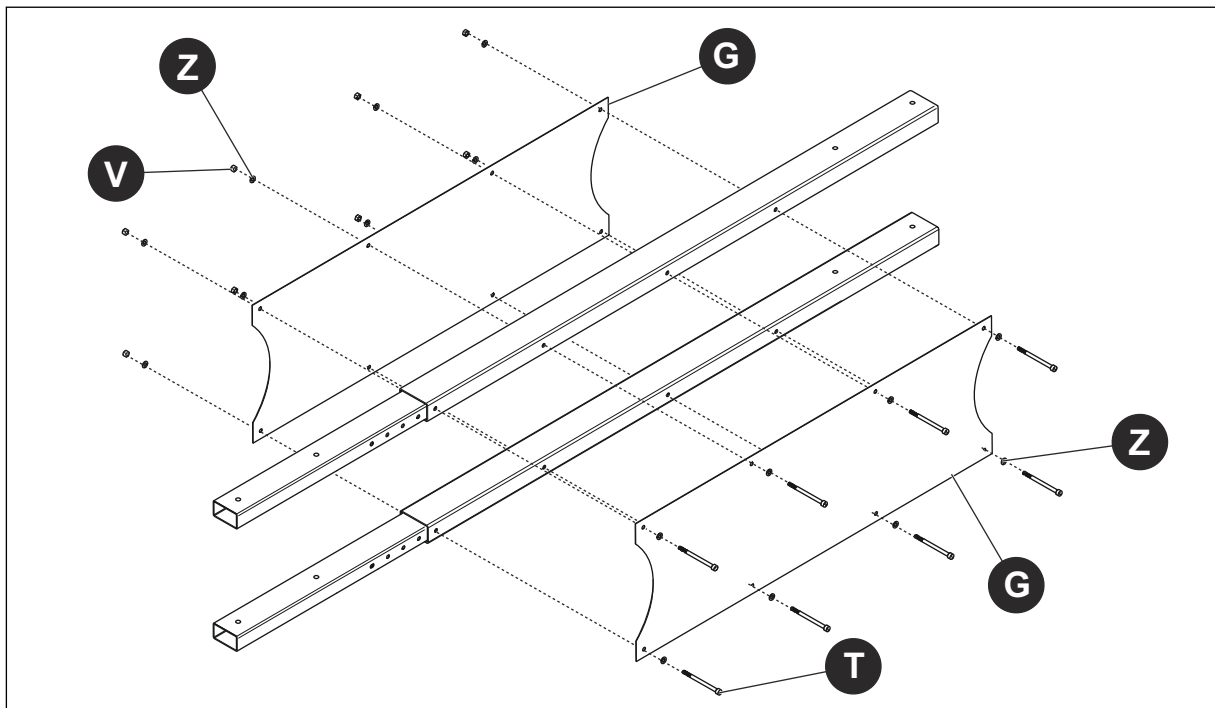
NOTICE **NOTICE:** When the ITCU is mounted to the Top Support Plates (A), the Exit Feeder will be located approximately 36 inches from the bottom of the support plates.

7.

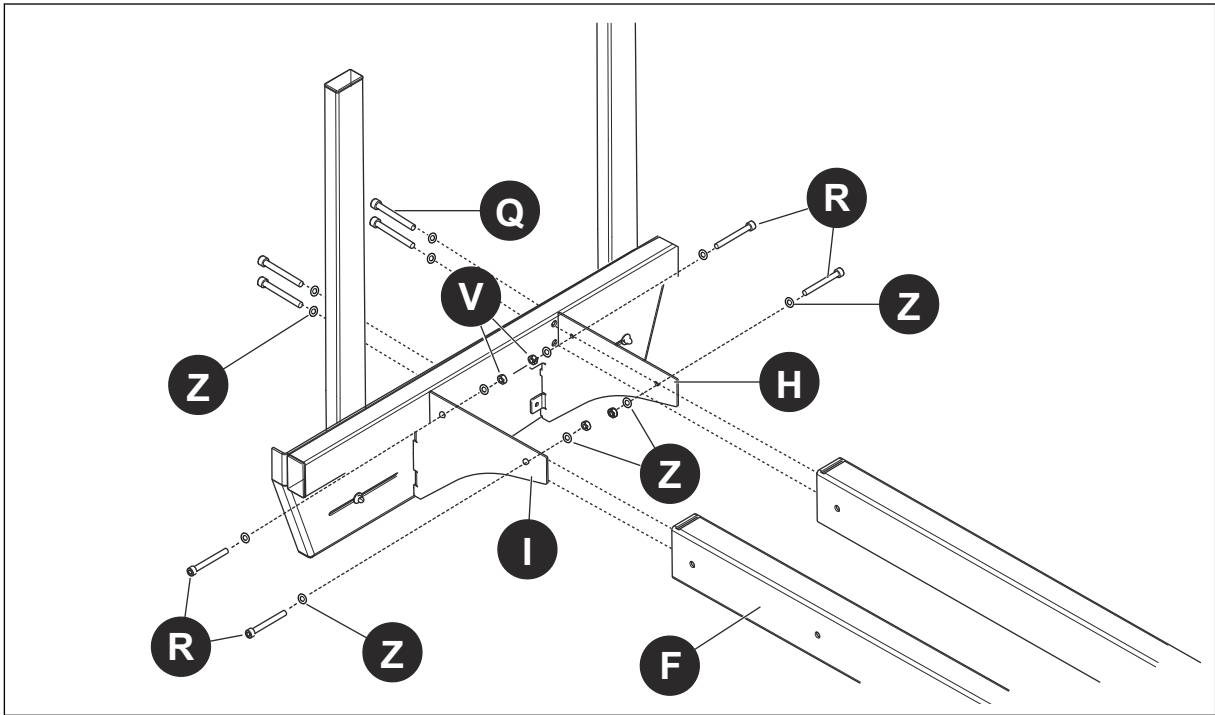


CAUTION: Safely attaching the Sheet Covers (G) to the Lower Beams (F) and their inserted Height Adjustment Beams (D) requires at least 2 trained service technicians because of the assembly's size and weight. Attempting to attach the Sheet Covers (G) to the Lower Beams (F) without using at least 2 trained service technicians could result in Moderate or Minor Injury to you.

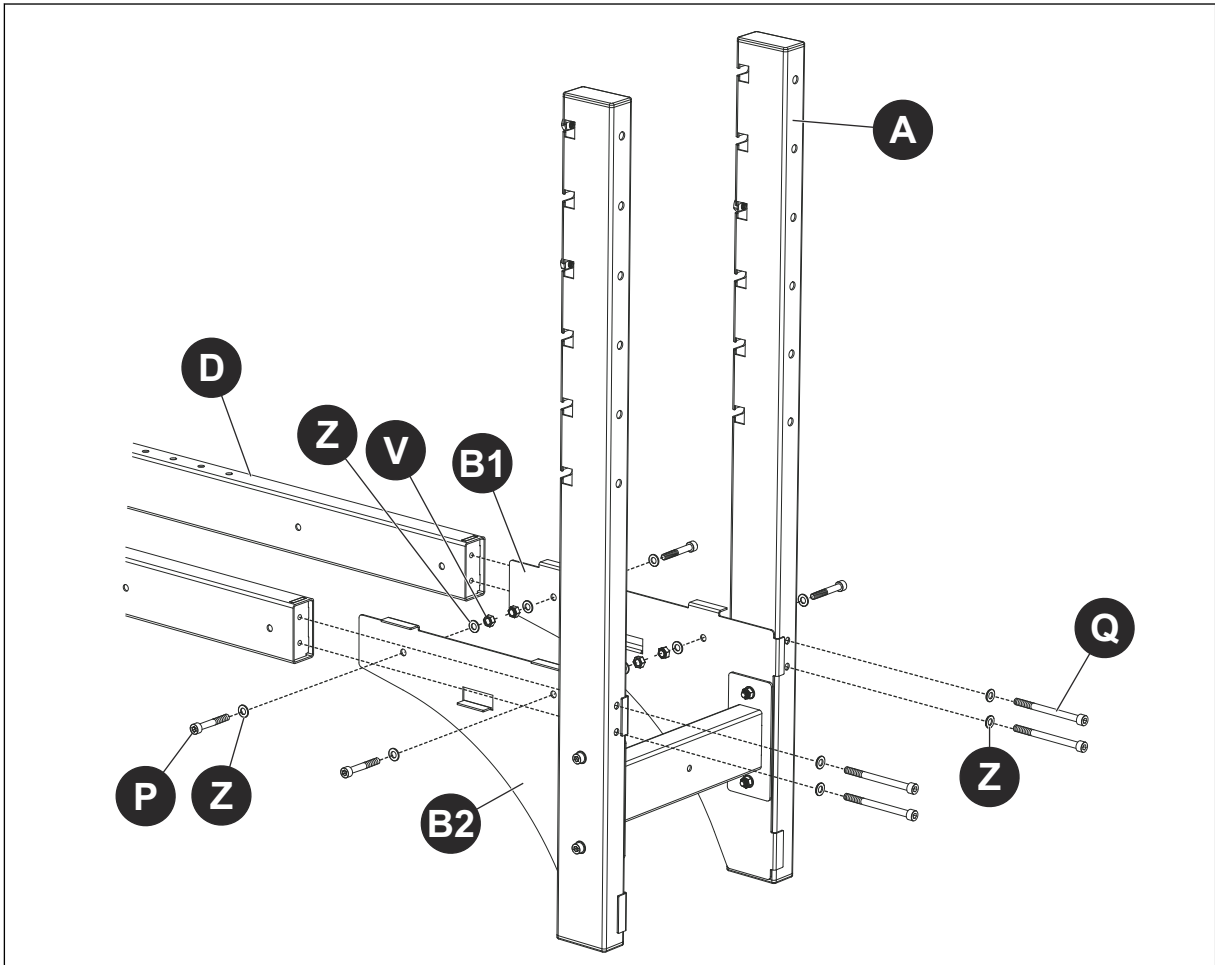
- a. Align each of the 4 holes along one edge of a Sheet Cover (G) with each of the 4 holes on the side of Lower Beam (F) and its inserted Height Adjustment Beam (D). Insert Bolt (T) with Washer (Z) into each Sheet Cover (G) hole and through each Lower Beam (F) hole.
- b. Align each of the 4 holes along one edge of second Sheet Cover (G) with each of the 4 Bolts (T) extending through Lower Beam (F). Insert each Bolt (T) through its corresponding hole in second Sheet Cover (G), and fasten each with a Washer (Z) and Nut (V).
- c. Align each of the 4 holes in second Lower Beam (F) with each of the 4 holes on opposite edges of each Sheet Cover (G). Insert Bolt (T) with Washer (Z) into each hole in first Sheet Cover (G), and through both Lower Beam (F) and second Sheet Cover (G). Fasten each with Washer (Z) and Nut (V). Tighten all Nuts (V).



8.
 - a. Insert bottoms of Lower Beams (F) between inside faces of Bottom Support Plates (H, I) and against top of the Face Plate (M). Align holes in Lower Beams (F) with holes in Bottom Support Plates (H, I), and insert Bolts (R) with Washers (Z) through each hole in Bottom Support Plates (H, I) and Lower Beams (F); loosely fasten each with Washer (Z) and Nut (V).
 - b. Insert Bolts (Q) with Washers (Z) through each of the 4 holes in underside of Face Plate (M) and into bottoms of Lower Beams (F).
 - c. Tighten all 4 Nuts (V) and all 4 Bolts (Q).



9.
 - a. Slide Top Support Plates with attached Upper Beams (A) onto Height Adjustment Beams (D). Align each hole on sides of Upper Beams (A) with each hole on sides of Top Support Plates (B).
 - b. Insert Bolts (R) with Washers (Z) through each hole on sides of Upper Beams and Top Support Plates. Loosely fasten with Washer (Z) and Nut (V).
 - c. Insert Bolts (S) with Washers (Z) into holes in top of Upper Beams (A) and screw bolts into Height Adjustment Beams (D).
 - d. Tighten all 4 Nuts (V) and all 4 Bolts (S).



WARNING: Safe lifting and setting upright of the fully-assembled Floor Stand requires at least 2 persons because of the Floor Stand's size and weight. Attempting to lift and set upright the fully-assembled Floor Stand without the use of at least 2 persons could result in Serious Injury to you or a bystander.

10. Set fully-assembled Floor Stand upright. Make sure all installed bolts and nuts are tightened. Using a level on top sides of Upper Beams (A) and Mid Support Brace (C), adjust Adjustable Feet (AB) so Floor Stand is level from front to rear, and from left to right.

NOTICE NOTICE: When fully assembled and in the upright position:

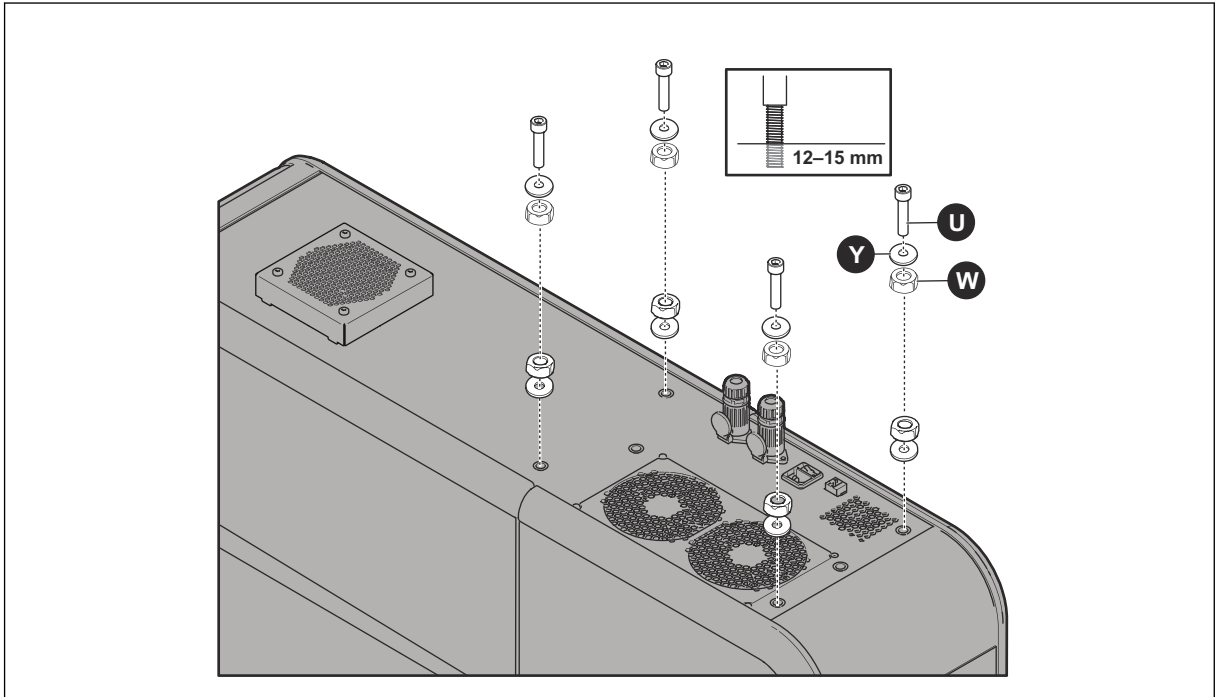
- The top of the Floor Stand must be at least 12 inches below the ceiling or any object hanging below the ceiling and within a 12-inch radius of where the ITCU is to be installed and operated; and
- The Floor Stand cannot be installed or operated at an angle exceeding 3° from the horizontal plane.
- The Floor Stand must be positioned indoors and near an easily-accessible electrical outlet so the ITCU can be directly plugged into that outlet.

3.3 ITCU attachment to Floor Stand



WARNING: This Product's cables carry electrical voltage. Exposure to electrical voltage may cause electrical shock. Do not plug in this Product while attaching this Product to the Floor Stand. Having the Product plugged in while attaching this Product to the Floor Stand could result in Death or Serious Injury to you or a bystander.

1. Install Bolts (U), Washers (Y) and Nut (W) to ITCU's Frame Plate at top of unit. Tighten bolts (U) $\frac{1}{2}$ inch into the Frame Plate.

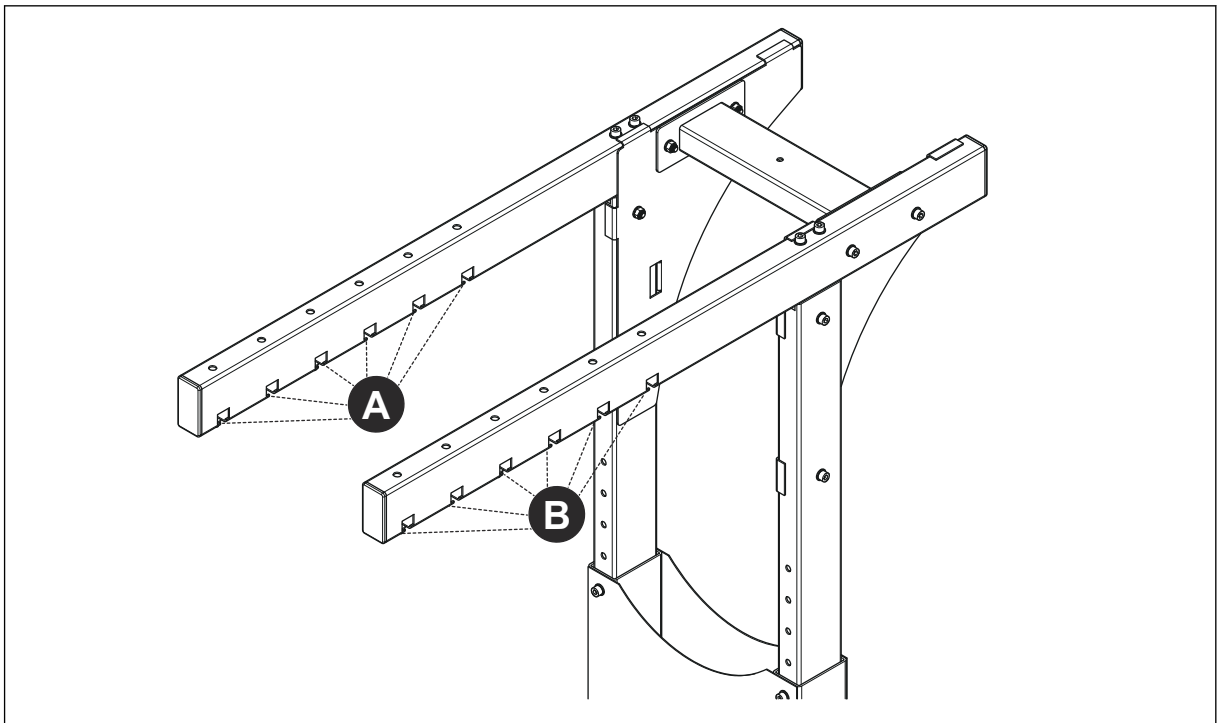


2. Remove ITCU's detachable doors.

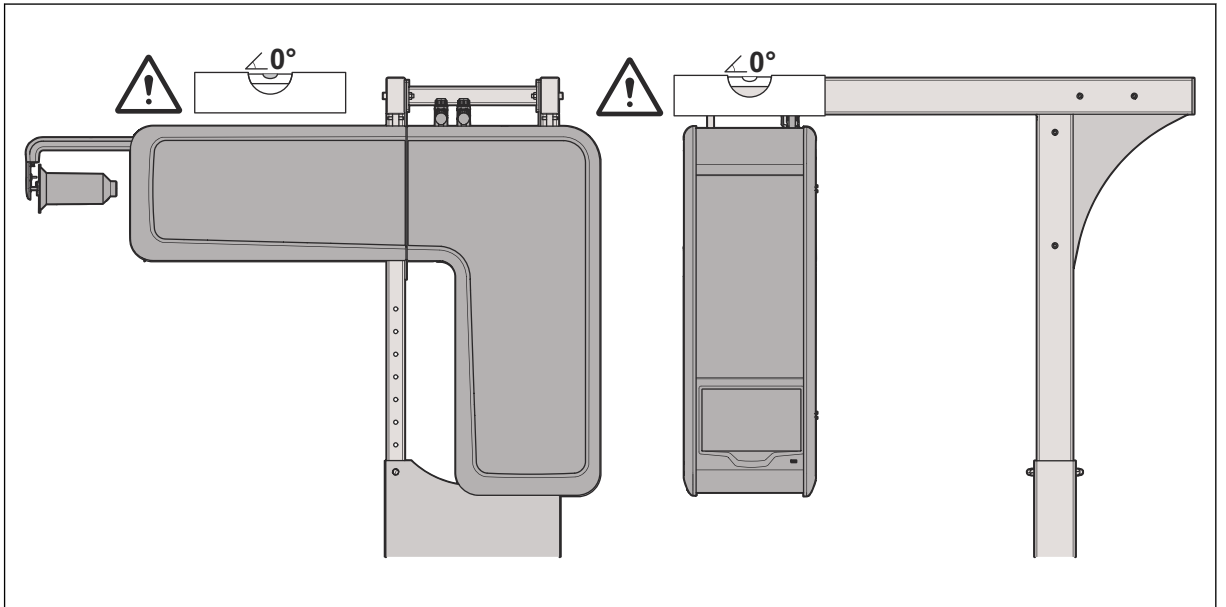


WARNING: Safe attachment of the ITCU to the Floor Stand requires at least 2 persons because of the unit's size and weight. Attempting to attach the ITCU to the Floor Stand without the use of at least 2 persons could result in Serious Injury to you or a bystander.

3. Lift ITCU and align heads of the installed Bolts (U) to the left of slots in the front of Floor Stand's Upper Beams (A).



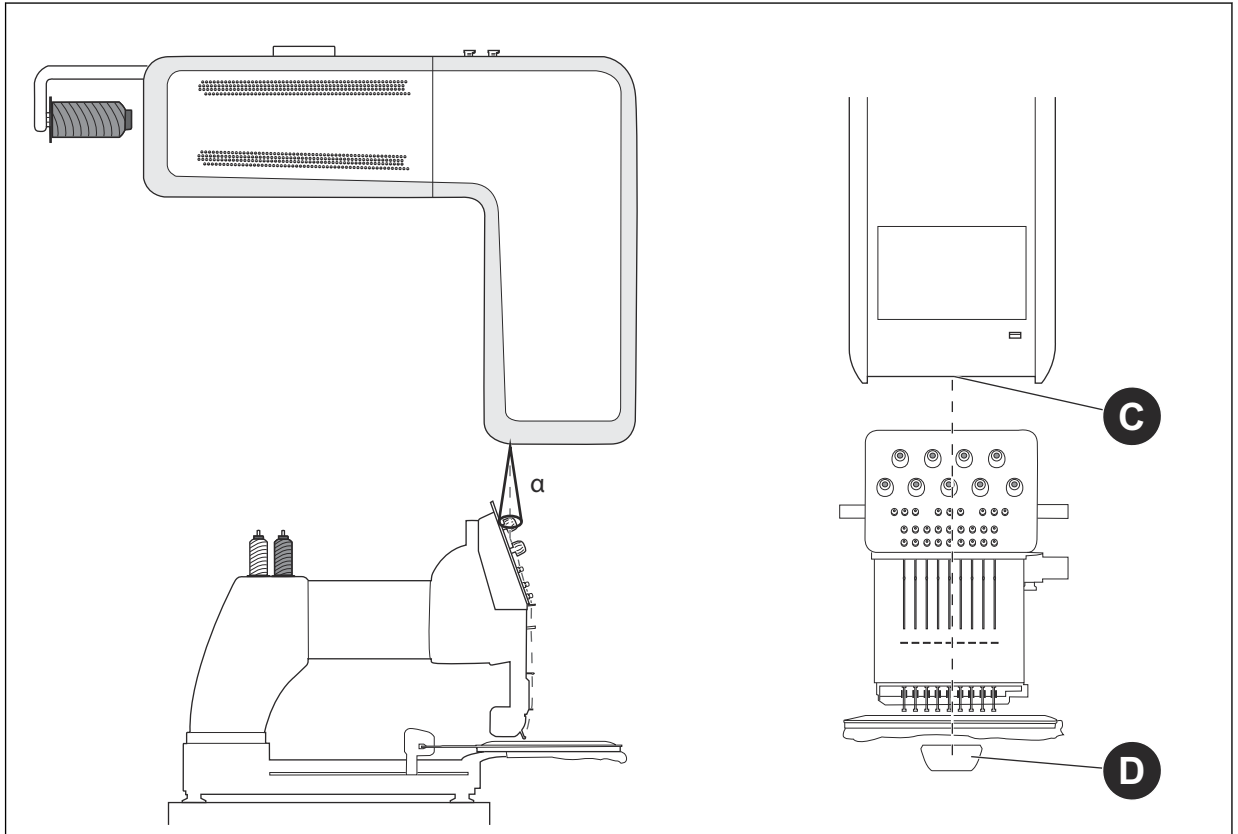
- Slide ITCU to the right until heads of installed Bolts (U) are fully inserted in slots of Floor Stand's Upper Beams (A).
- Using a level on top of ITCU, adjust (W) and Bolts (U) installed in unit's Frame Plate so unit is level from front to rear and left to right. Secure ITCU to Floor Stand's Upper Beams (A) by tightening Bolts (U).



NOTICE **NOTICE:** The ITCU cannot be installed or operated at an angle exceeding 3° from the horizontal plane. The ITCU cannot be installed or operated where its ventilation openings are restricted by an object within 6 inches of the ventilation openings.

- Reinstall detachable doors on ITCU, and install thread reel on unit.

7. Place the embroidery machine beneath assembled, upright ITCU. The embroidery machine must be positioned so ITCU's Exit Feeder Port is vertically aligned (see (C) and (D) below), with the embroidery machine's thread inlet, and the center of the embroidery machine's under thread arm.

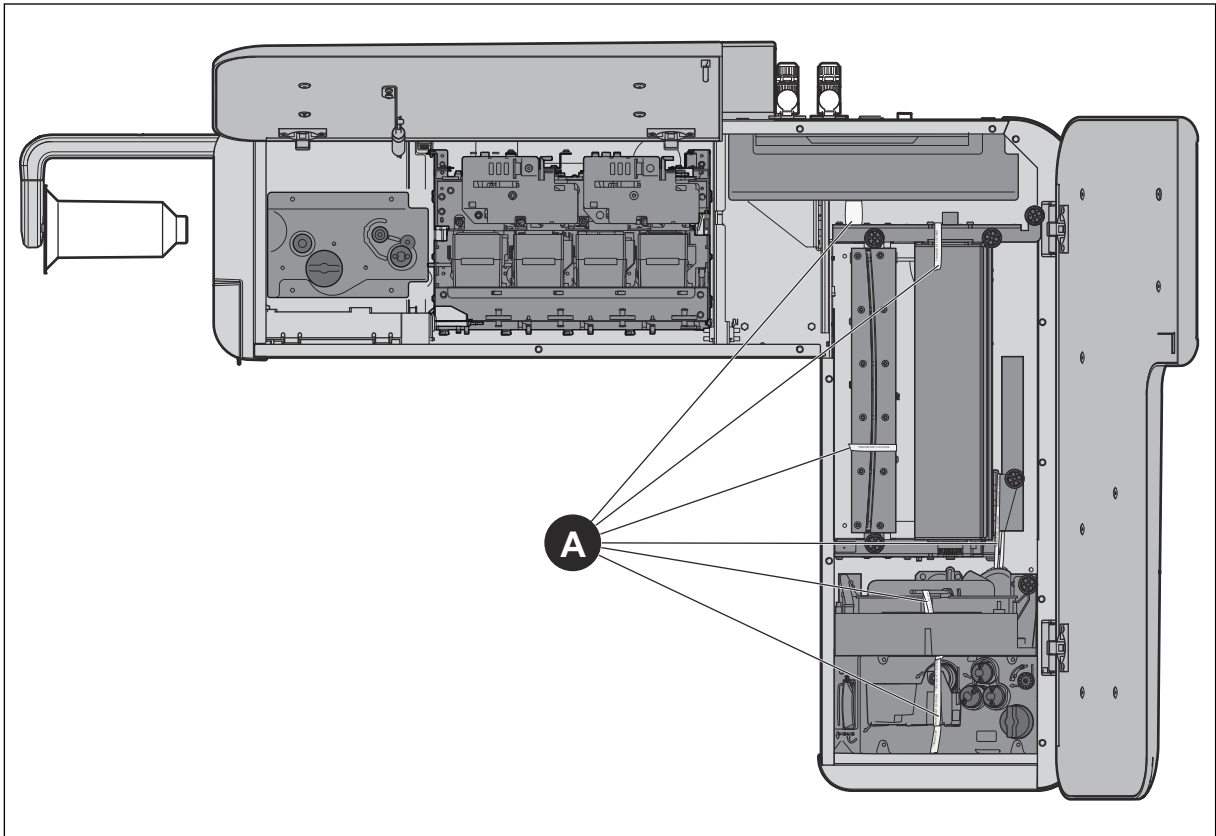


NOTICE **NOTICE:** The vertical angle from the ITCU's Exit Feeder's Port to the embroidery machine's thread inlet cannot exceed 10°. The distance between the unit's Exit Feeder and the embroidery needle should be as short as possible for best color precision, and should not exceed 36 inches.

3.4 Transport Lock

Open ITCU's front door and carefully remove all 6 Transport Locks. After removing all 6 Transport Locks, securely close ITCU's front door.

NOTICE **NOTICE:** Before installing the ITCU to a network, or attempting operation of the unit, all Transport Locks must be removed; failure to do so will result in damage to this Product.



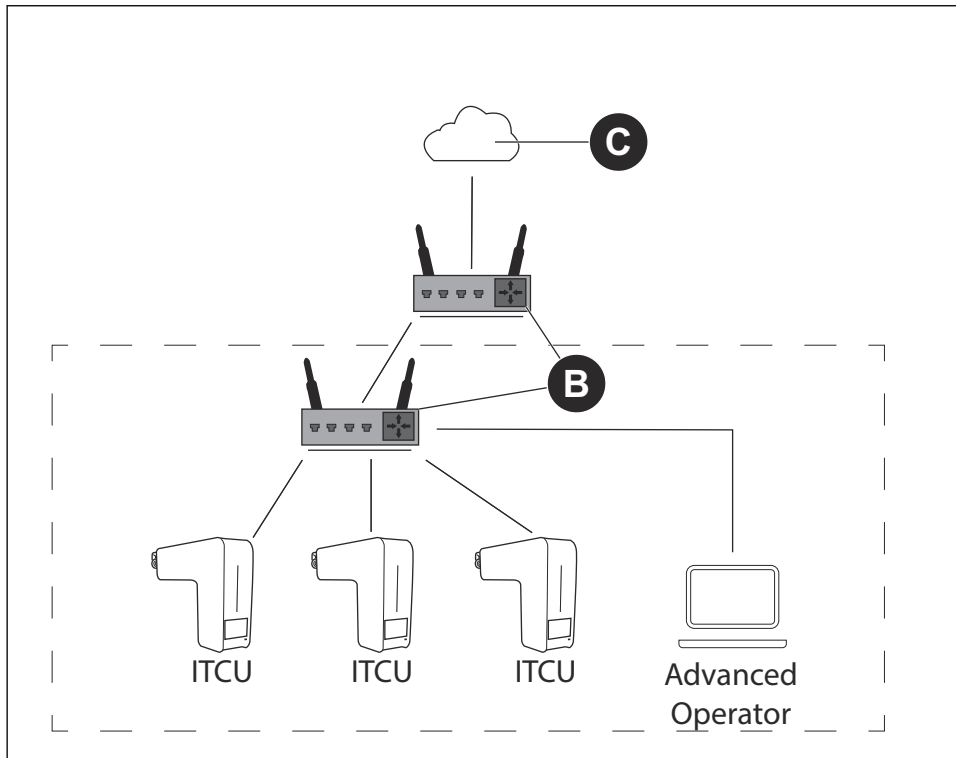
4 Network Setup

4.1 Introduction

To use the ITCU, you must install it to a network. We recommend you install the unit to an Internet-connected network to make sure you can access the latest software updates. If that is not possible, you can connect the ITCU through a local network.

4.2 To connect a Coloreel ITCU to a network

Make sure you have a Router, access to the Internet and a Computer to access the ITCU. The ITCU will have a separate network inside the company network.



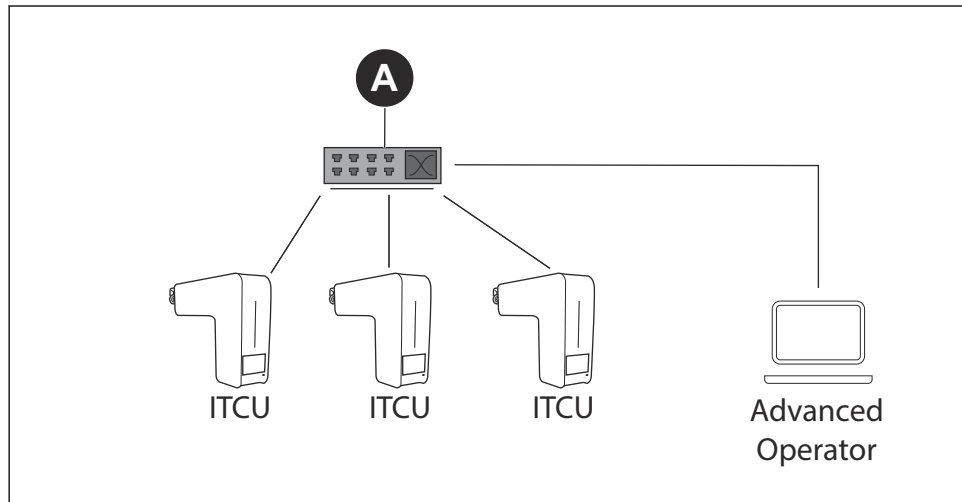
1. Connect the ITCU to the Router (B). Connect the ethernet cable to a private connector.

NOTICE **NOTICE:** If your production site has closed network for production, use the public connector that is connected to the internet for a software update.

2. Connect the computer to the network with internet access (C).
3. Identify the ITCU's IP address.
4. Log on to the ITCU. Refer to the *Full Operator Manual*.

4.3 To connect a Coloreel ITCU to a local network

Make sure that you have a Switch/Router (A) and a Computer to access the ITCU.



1. Connect the ITCU to the Switch/Router (A). Connect the ethernet cable to a private connector.

NOTICE **NOTICE:** If your production site has closed network for production, use the public connector that is connected to the internet for a software update.

2. Connect the Computer to the Switch/Router (A).
3. Set a static IP for the ITCU. If you do not know how to set a static IP, consult your IT Department.
4. Log on to the ITCU. Refer to the *Full Operator Manual*.

5 Priming ITCU

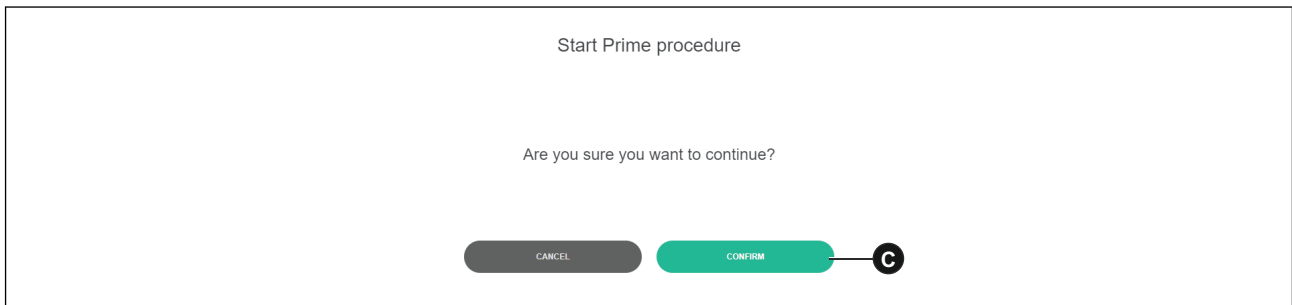
5.1 Using the Priming Function

The Priming Function must be used before operating the ITCU for the first time. Priming can be done by a Coloreel approved service technician, with *Technician* login credentials.

1. Install all Color Cartridges before starting the ITCU. Refer to the *Full Operator Manual*.
2. Make sure the ITCU's Waste Tank is empty.
3. In the operator panel, select *Maintenance*.
4. Select *Prime* (A).



5. Click on the *Start prime* button (B).
6. Click in the *Confirm* button (C). The prime procedure starts.



6 Auto-Calibrating ITCU

6.1 Introduction

Auto-Calibration can be done by a Coloreel approved service technician, with *Technician* login credentials.



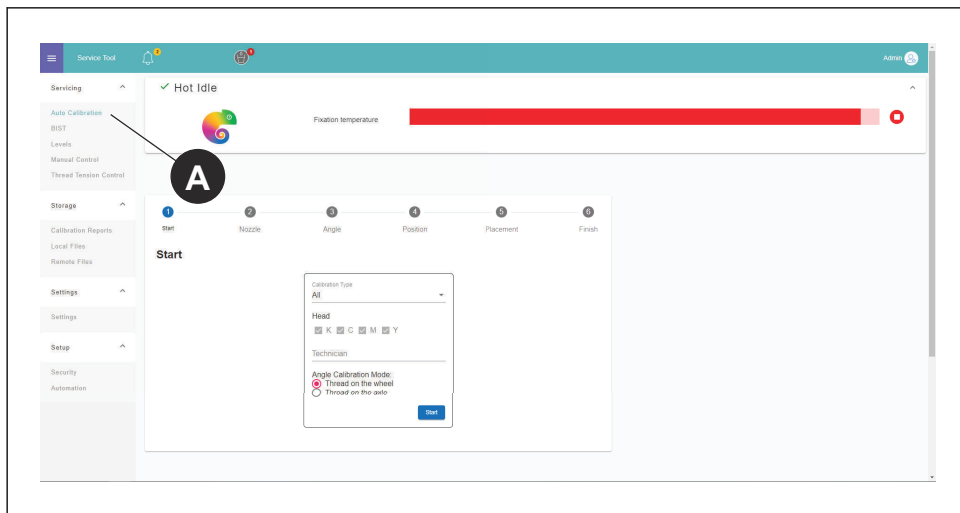
WARNING: Performing auto-calibration functions with the ITCU first requires the unit be threaded. Before attempting to thread the ITCU, carefully read, fully understand and follow each instruction contained in Sections 2 and 4 of the ITCU's Operator's Manual. Failing to carefully read, fully understand and follow each instruction contained in Sections 2 and 4 of the ITCU's Quick Start Guide and Full Operator's Manual before attempting to thread the unit could result in Death or Serious Injury to you or a bystander.

NOTICE

NOTICE: Performing any auto-calibration function with the ITCU without the unit being threaded could result in damage to this Product or to other property.

6.2 Auto-Calibration

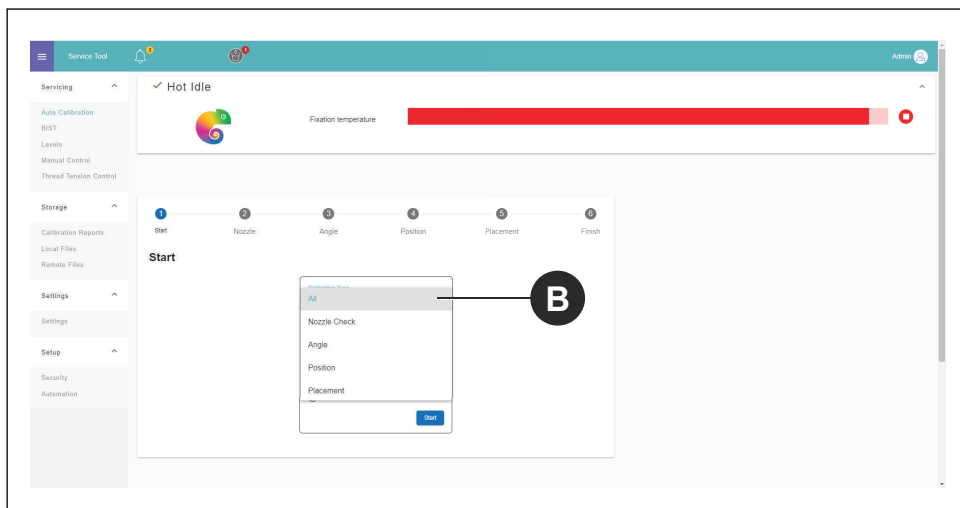
From the Auto Calibration tab (A), the ITCU's print heads can be calibrated so ink is correctly applied to the thread.



6.3 To do an auto calibration

Auto-calibration can be performed in different ways. The *All* calibration mode will calibrate all colors. Other calibration modes can separately calibrate individual colors.

1. At the Auto-Calibration page, select calibration mode *All* from the drop-down list (B).

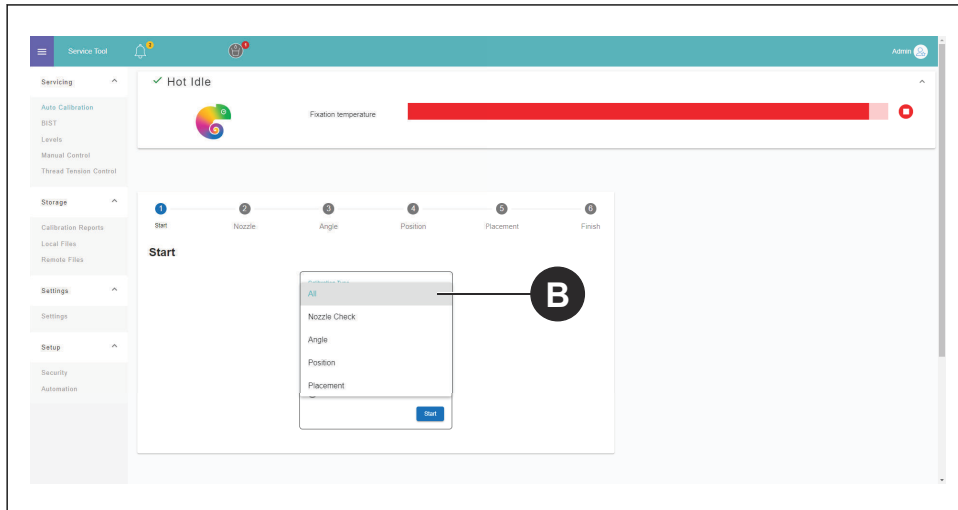


2. Press **Start** and allow the auto-calibration finish.

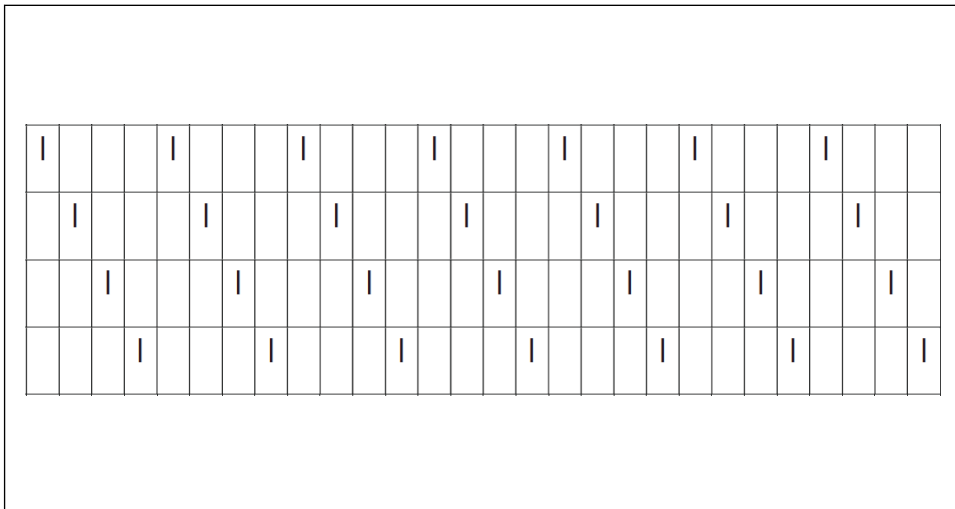
NOTICE NOTICE: The ITCU enters *Service Mode* and warms up, when you start the auto calibration.

6.4 Performing a Nozzle check

1. At the Auto-Calibration page, select *Nozzle Check* from the drop-down list (B).

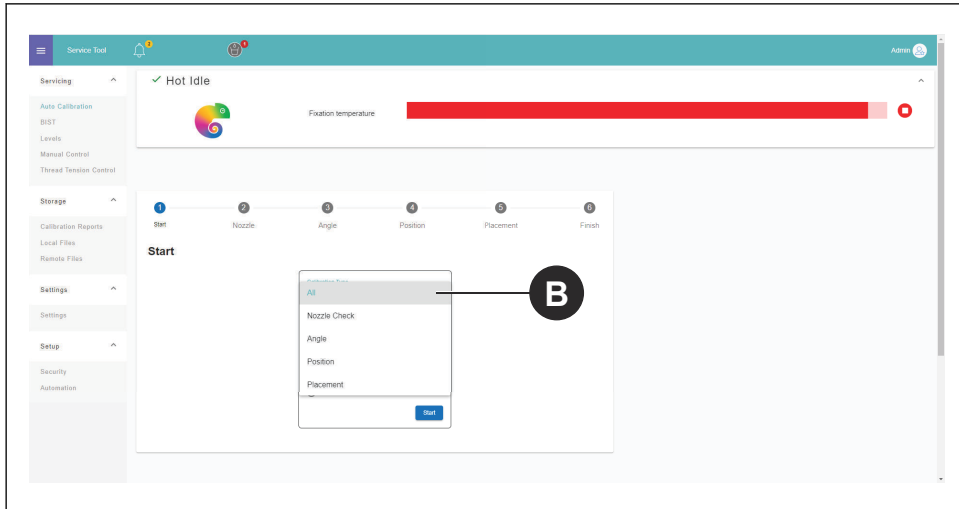


2. Press **Start**.
3. Hold a piece of paper between the thread and the nozzle head.
4. Pull the paper against you and at the same time, pull the thread in the direction of the thread feed.
5. Make sure that there is color on each section.

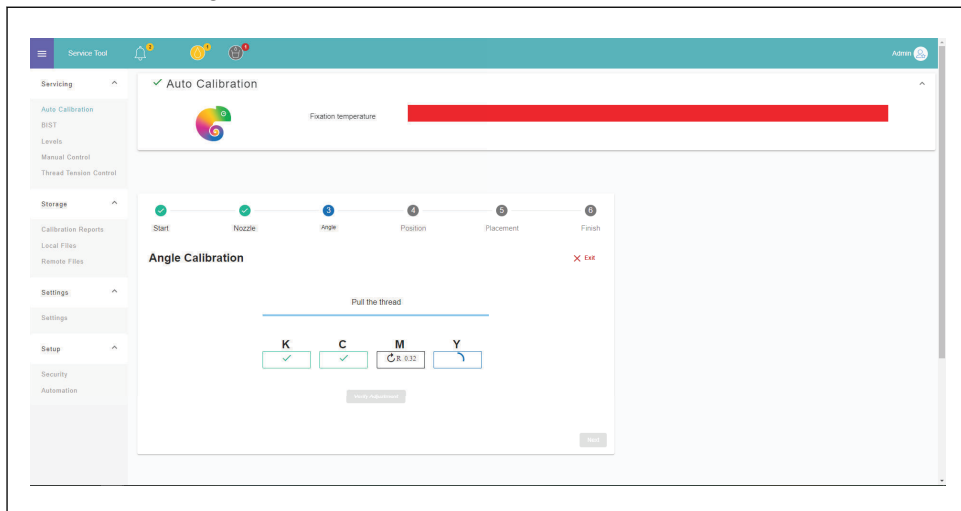


6.5 Performing a Head Angle Calibration

1. At the Auto-Calibration page, select *Head Angle Calibration* from the drop-down list (B).



2. Press **Start**.
3. Pull the thread.
4. Adjust the colors showing a deviation on the



screen.

NOTICE **NOTICE:** For information on how to adjust the colors physically on the ITCU refer to, [6.5.1](#).

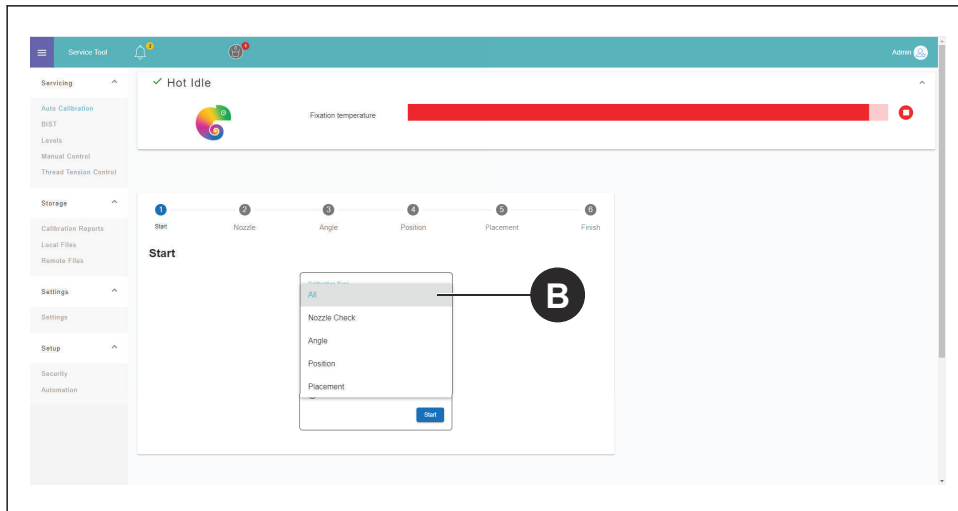
5. Pull the thread again to do a calibration of the adjusted color(s).

6.5.1 To adjust the colors

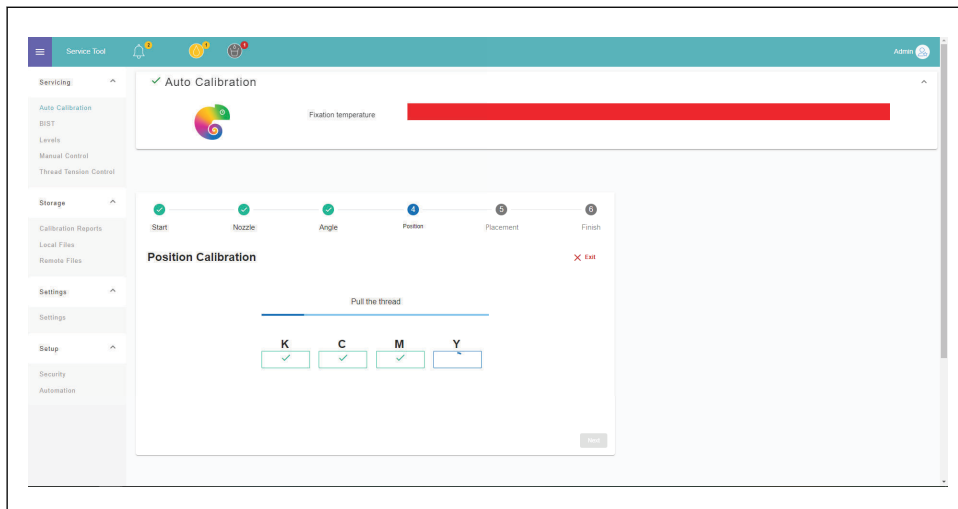
1. Loosen the lock screws 2.5 turns on the print head for the color that you want to adjust.
2. Adjust the adjuster screw in accordance with the given value on the screen. L is counter clockwise and R is clockwise.
3. Tighten the lock screws to a force of 0.35 Nm.

6.6 Performing a Head Position Calibration

1. At the Auto-Calibration page, select *Head Position Calibration* from the drop-down list (B).

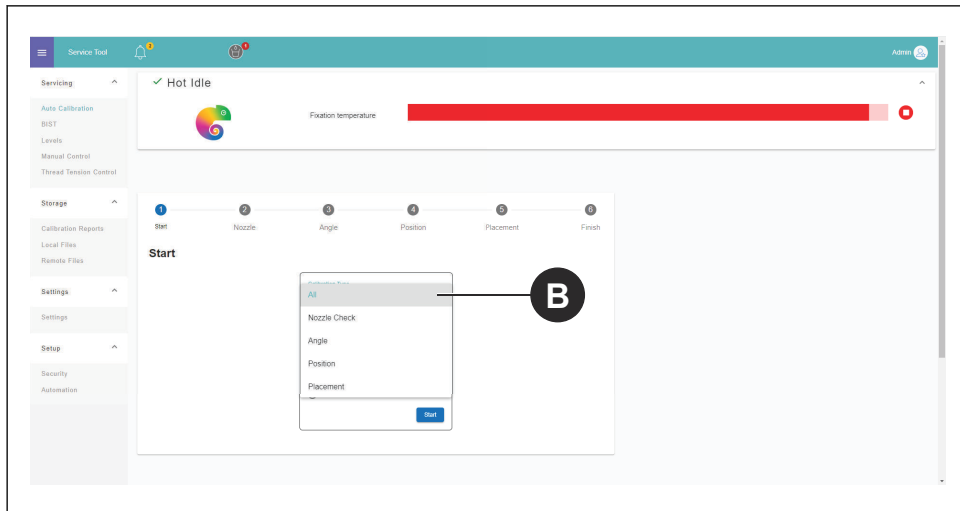


2. Press **Start**.
3. Pull the thread.
4. All colors are calibrated at the same time and the position of each head are saved in the *Config File*.

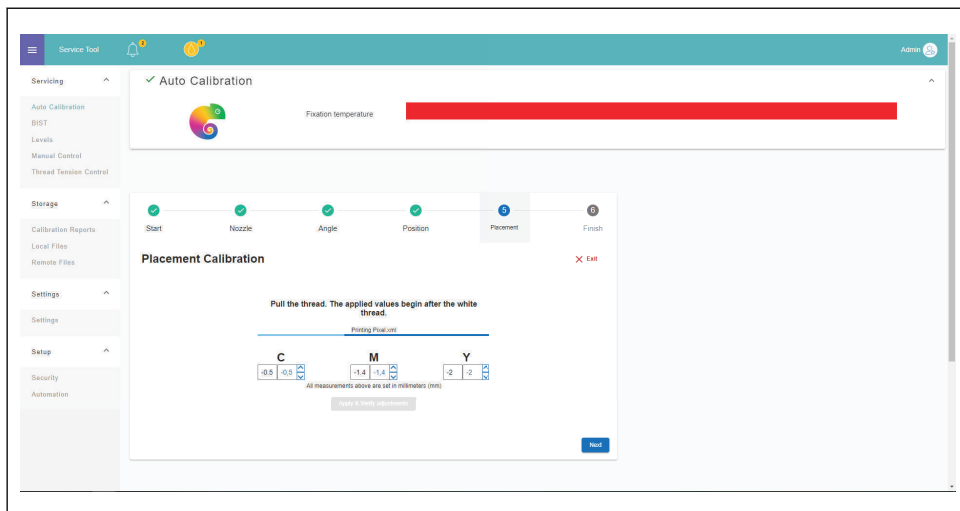


6.7 Performing a Head Placement Calibration

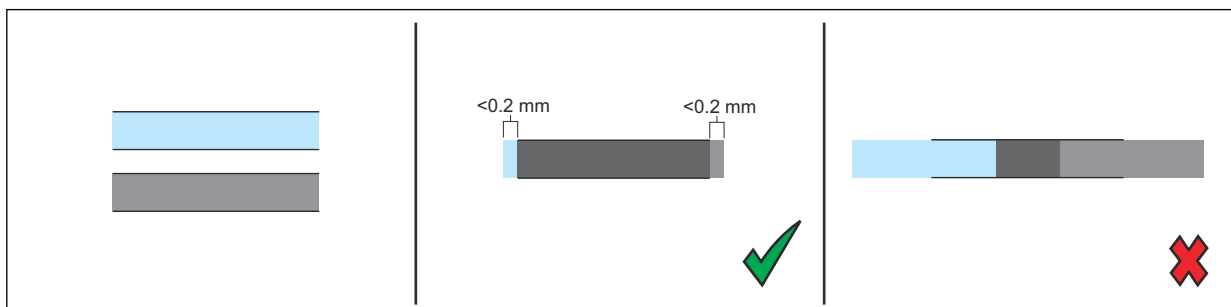
1. At the Auto-Calibration page, select *Head Placement Calibration* from the drop-down list (B).



2. Press **Start**.
3. Pull the thread. A pattern of two colors is put on the thread.

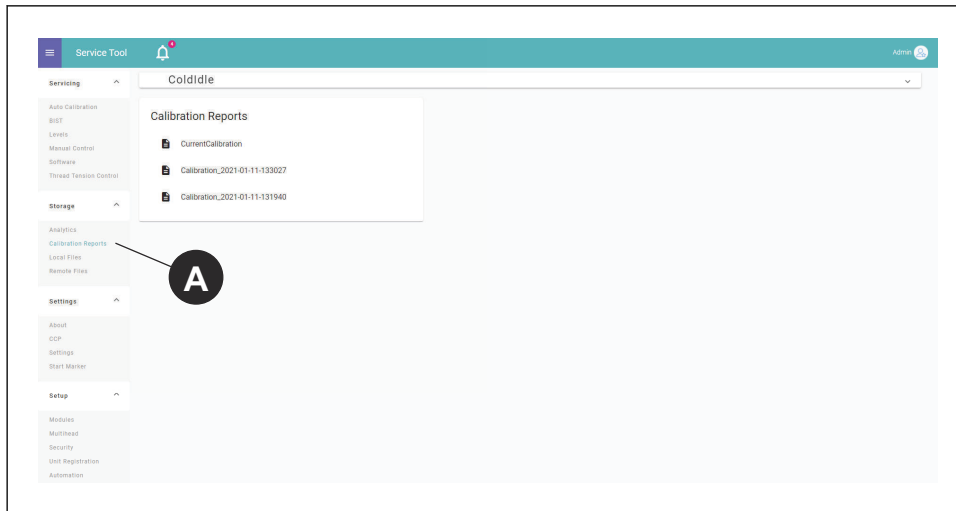


4. Make sure that the colors are put on top of each other, with a maximum deviation gap that is less than 0.2 mm on each side.



6.8 Performing Calibration Report

1. Select *Calibration reports (A)* from the side bar menu.



2. Click on the report that you want to display.

7 Stitch Count Settings

7.1 Introduction

To improve Color Change Precision, CCP, you need to add the stitch count information from the embroidery machine into the *Settings* for the ITCU. Input information that is required to set the parameters correctly:

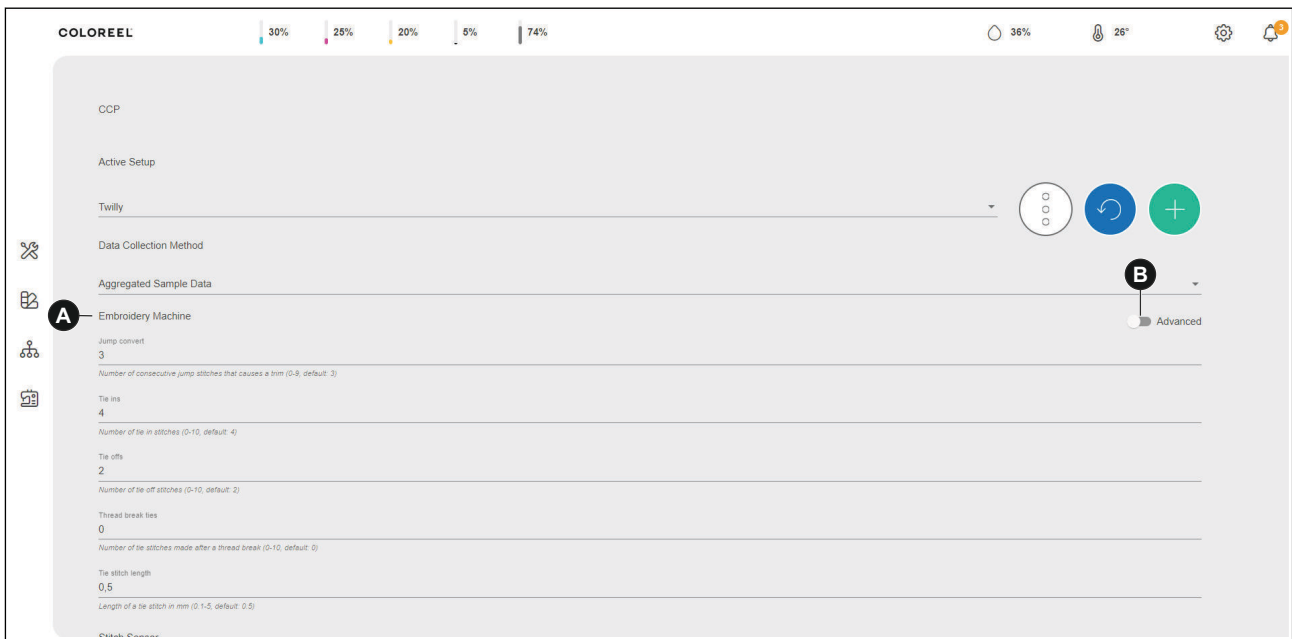
Jump convert	Number of consecutive jump stitches that causes a trim (0-9, default: 3)
Tie ins	Number of tie in stitches (0-10, default: 4)
Tie offs	Number of tie off stitches (0-10, default: 2)
Thread break ties	Number of tie stitches made after a thread break (0-10, default: 0)
The stitch length	Length of a tie stitch in mm (0.1-5, default: 0.5)
Remove DST stitches without any length (default: on)	ON/OFF
Stitch sensor mounted on main shaft	ON/OFF
Additional main shaft rotations during trim	Number of main shaft rotations that occur during trim excluding tie stitches (0-5, default: 1)
Additional main shaft rotations during color change	Number of main shaft rotations that occur during color change excluding tie stitches (0-5, default: 2)

7.2 Managing CCP Settings

1. Select *Settings*.
2. Select *Color Change Precision* in the settings menu.

7.3 Aligning Stitch Count Settings

1. Select *Settings*.
2. Select *Color Change Precision* in the settings menu.
3. Add the input data in the fields below *Embroidery machine* (A).



4. To add the advanced settings, select (B) button and add the input data.

NOTICE **NOTICE:** If you are unsure of the stitch count settings for the embroidery machine being used with the ITCU, consult your embroidery machine's manual.

8 Notes

Contents

9 Seguridad.....	36	14 Calibración automática de la ITCU.....	56
9.1 Símbolos de alerta de seguridad y palabras de señalización.....	36	14.1 Introducción	56
9.2 Instrucciones generales de seguridad....	36	14.2 Calibración automática.....	56
9.3 Instrucciones de seguridad para la instalación.....	36	14.3 Realizar una calibración automática.....	56
		14.4 Realizar un chequeo de boquilla.....	57
		14.5 Realizar una calibración del ángulo de cabezal.....	58
		14.5.1 Para ajustar los colores.....	59
10 Listado de piezas.....	38	14.6 Realizar una calibración de la posición del cabezal.....	59
10.1 Introducción.....	38	14.7 Realizar una calibración de la colocación del cabezal.....	60
10.2 Piezas del soporte de suelo.....	39	14.8 Realizar el informe de calibración.....	61
10.3 Accesorios para soporte de suelo.....	40		
11 Montaje de piezas.....	42	15 Configuración del recuento de puntadas.....	62
11.1 Introducción.....	42	15.1 Introducción.....	62
11.2 Montaje del soporte de suelo.....	42	15.2 Gestión de la configuración de CCP.....	62
11.3 Fijación de la ITCU al soporte de suelo..	49	15.3 Alineación de la configuración del recuento de puntadas.....	62
11.4 Bloqueo de transporte.....	51		
12 Configuración de la red.....	53	16 Notas.....	64
12.1 Introducción	53		
12.2 Conexión de una Coloreel ITCU a una red.....	53		
12.3 Conexión de una Coloreel ITCU a una red local.....	53		
13 Purgado de la ITCU.....	55		
13.1 Uso de la función de purgado.....	55		

9 Seguridad

9.1 Símbolos de alerta de seguridad y palabras de señalización

Este manual de instalación contiene símbolos de alerta de seguridad, símbolos de aviso y palabras de señalización. Estos símbolos y palabras se ilustran y explican a continuación. Cada símbolo de alerta de seguridad, símbolo de aviso y palabra de señalización advierte de los peligros o facilita otra información importante para la instalación segura y correcta de este producto.



WARNING: Este símbolo de alerta de seguridad y la palabra de señalización indican una situación peligrosa que, si no se evita, podría provocar la muerte o lesiones graves.



CAUTION: Este símbolo de alerta de seguridad y la palabra de señalización indican una situación peligrosa que, si no se evita, podría provocar lesiones moderadas o leves.



NOTICE: Este símbolo de aviso y esta palabra de señalización indican información importante.

9.2 Instrucciones generales de seguridad



WARNING: Antes de comenzar la instalación de este producto, lea atentamente, comprenda por completo y siga cada una de las siguientes Instrucciones generales de seguridad; de no hacerlo, usted o cualquier otra persona podría sufrir lesiones graves o incluso la muerte.

- Siga todos los mensajes e instrucciones de seguridad de este Manual de instalación, así como todas las indicaciones que aparecen en la pantalla táctil del producto, mientras lo instala.
- El producto crea un campo electromagnético durante su funcionamiento. Este campo puede interferir con implantes médicos pasivos o activos. Las personas que lleven implantes médicos deben consultar a su médico antes de intentar instalar este producto.
- Los cables de este producto transportan tensión eléctrica. La exposición a la tensión eléctrica puede provocar una descarga eléctrica. No toque los cables del producto cuando este se encuentre enchufado.
- Este Manual de instalación contiene mensajes de seguridad e instrucciones de mantenimiento que deben seguirse una vez finalizada la instalación. No tire este Manual de instalación. Mantenga este Manual de instalación en un lugar seco y al alcance de la mano.
- Si tiene alguna duda sobre cualquier mensaje o instrucción de seguridad que aparezca en este Manual de instalación, póngase en contacto con el servicio de asistencia de Coloreel en <https://www.coloreel.com/support> antes de comenzar la instalación de este producto.

9.3 Instrucciones de seguridad para la instalación



WARNING: Antes de comenzar la instalación de este producto, lea cuidadosamente, comprenda por completo y siga cada una de las siguientes instrucciones de seguridad para la instalación; de no hacerlo, usted o cualquier otra persona podría sufrir lesiones graves o incluso la muerte.



WARNING: Lea las siguientes instrucciones de advertencia antes de instalar el soporte de suelo y la unidad Coloreel.

- Este producto debe ser instalado únicamente por técnicos de servicio capacitados.
- Algunos componentes de este producto son grandes o pesados, y ciertos pasos de la instalación requieren al menos tres técnicos de servicio capacitados. Este producto debe ser instalado por un mínimo de tres técnicos de servicio capacitados.
- La instalación y el funcionamiento seguros de este producto requieren que cada paso de la instalación se realice de la manera indicada en este Manual de instalación.

NOTICE **NOTICE:** Todas las indicaciones que aparecen en este Manual de instrucciones (como "izquierda", "derecha", "delantero" y "trasero") se proporcionan desde la perspectiva de una persona que mira el producto montado.

10 Listado de piezas

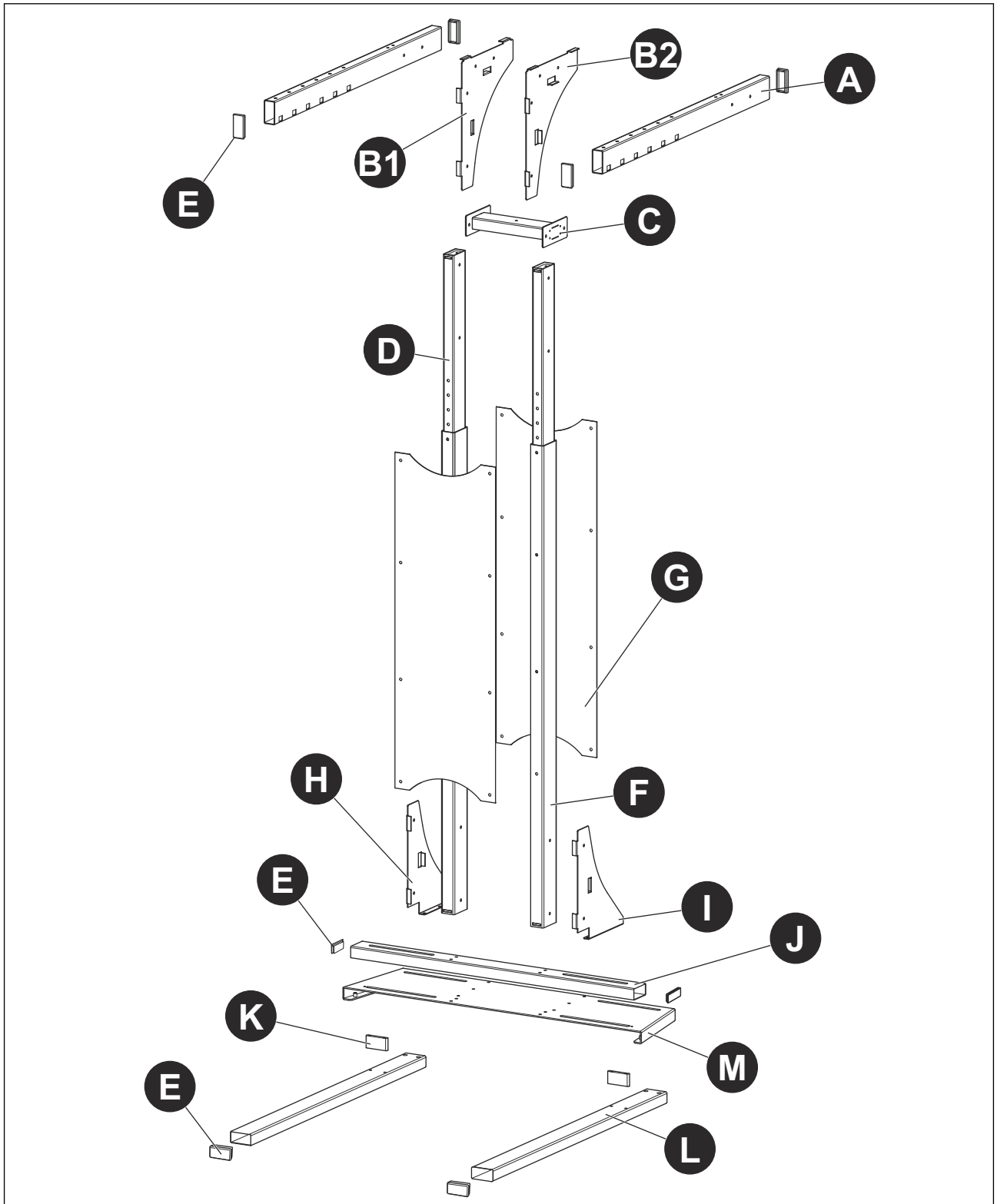
10.1 Introducción

Su Coloreel® Instant Thread Color Unit — o ITCU — con las piezas y accesorios ilustrados y enumerados a continuación.



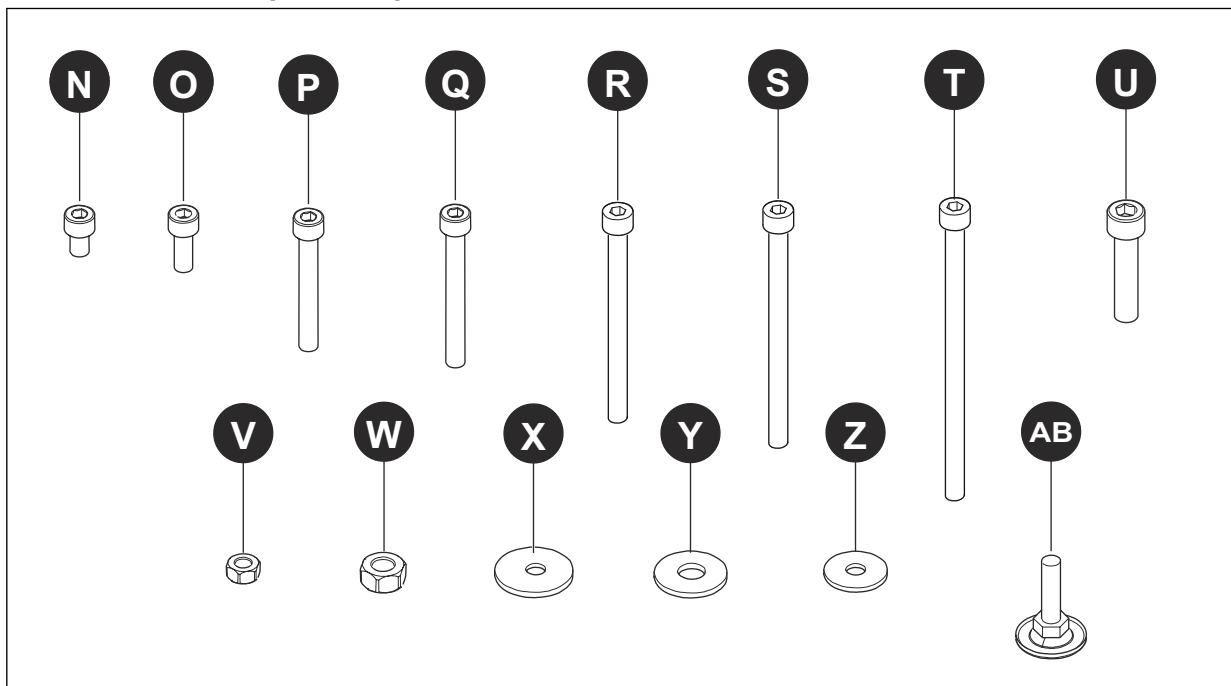
WARNING: Cada pieza y accesorio ilustrado y enumerado a continuación es necesario para la instalación y el funcionamiento seguros y correctos del producto. Si no se instala correctamente cualquier pieza o accesorio durante la fase de instalación del producto, podría provocar la muerte o lesiones graves a usted, al usuario del producto o a otras personas. Si cree que falta alguna pieza o accesorio o está dañado, póngase en contacto con el servicio de asistencia de Coloreel en <https://www.coloreel.com/support> antes de comenzar la instalación de este producto.

10.2 Piezas del soporte de suelo



Referencia	Cantidad	Nombre
A	2	Viga superior
B1	1	Placa de soporte superior izquierda
B2	1	Placa de soporte superior derecha
C	1	Soporte intermedio
D	2	Viga de regulación de altura
E	8	Tapas laterales
F	2	Viga inferior
G	2	Cubierta de chapa
H	1	Placa de soporte inferior izquierda
I	1	Placa de soporte inferior derecha
J	1	Viga de base
K	2	Placa de tuerca
L	2	Viga de suelo
M	1	Placa de base

10.3 Accesorios para soporte de suelo



Referencia	Cantidad	Nombre
N	2	Perno, M6x12
O	18	Perno, M8x20
P	4	Perno, M8x55
Q	8	Perno, M8x60
R	4	Perno, M8x65
S	4	Perno, M8x100

Referencia	Cantidad	Nombre
T	8	Perno, M8x110
U	4	Perno, M10x80 FT
V	26	Tuerca, M8
W	4	Tuerca, M10
X	8	Arandela, 8.4x24x2
Y	4	Arandela, 10.5x20x2
Z	60	Arandela, 8.4x16x1.6
AB	8	Patas regulables

11 Montaje de piezas

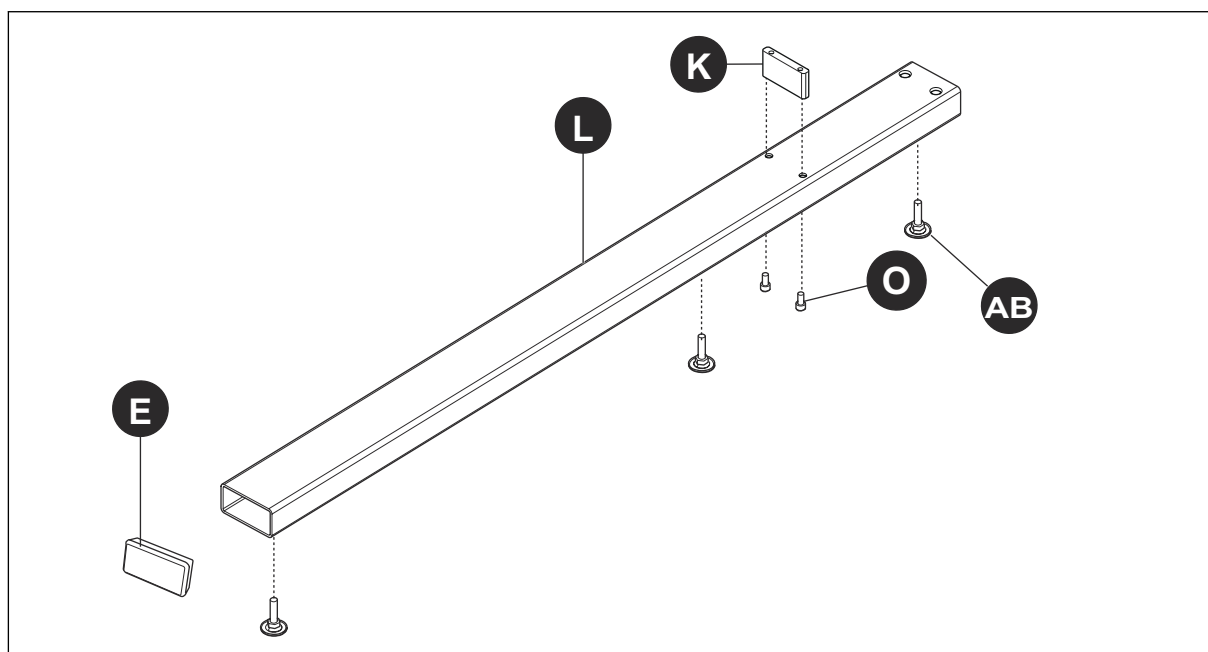
11.1 Introducción

NOTICE NOTICE: La instalación correcta de la ITCU requiere:

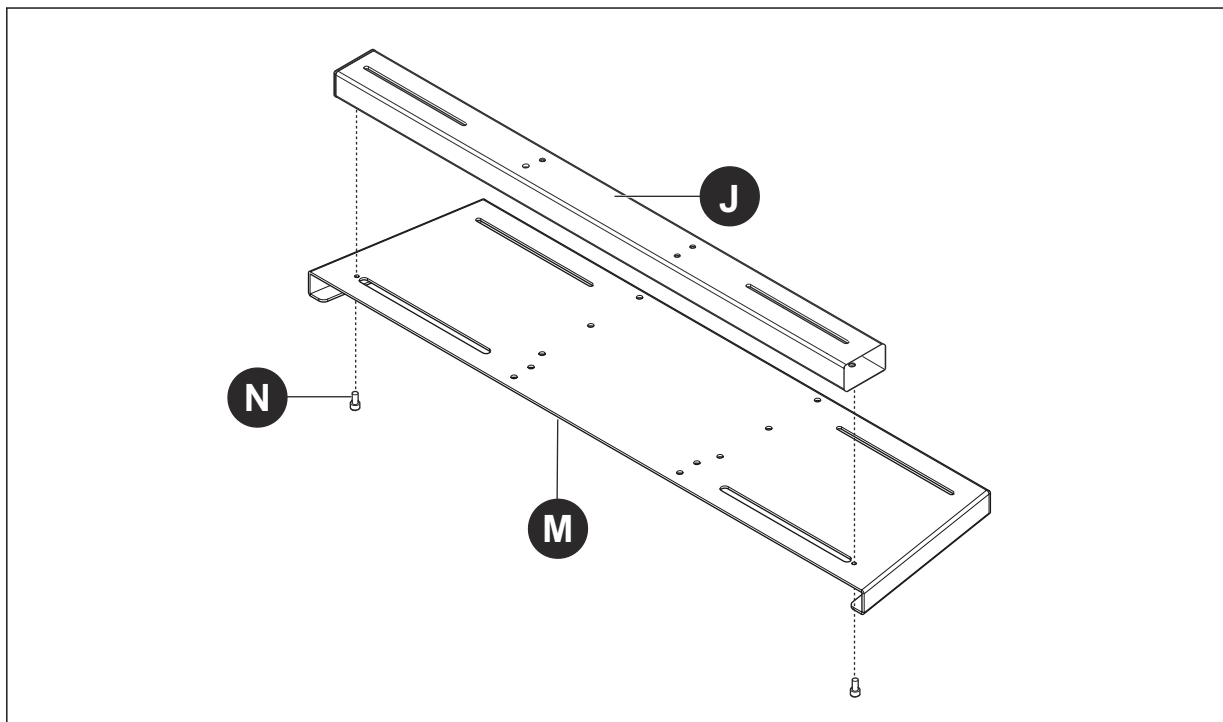
- la ITCU debe instalarse en un lugar con una distancia mínima de 8 ½ pies entre el suelo y el techo, o entre el suelo y cualquier objeto que se encuentre bajo el techo y que esté dentro de un radio de 12 pulgadas de la parte superior del soporte de suelo de la unidad tal y como está montada; y
- la ITCU debe instalarse a nivel con el plano horizontal, y no puede instalarse ni funcionar en un ángulo que exceda 3° del plano horizontal; y
- la distancia entre el sistema de salida de la ITCU y la aguja de bordado debe ser lo más corta posible para obtener la mejor precisión de color, y la distancia entre el puerto del sistema de salida y la aguja de bordado no debe superar las 36 pulgadas; y
- la ITCU debe instalarse de forma que el ángulo del puerto del sistema de salida de la unidad con respecto a la aguja de bordado no supere los 10° con respecto al plano vertical.

11.2 Montaje del soporte de suelo

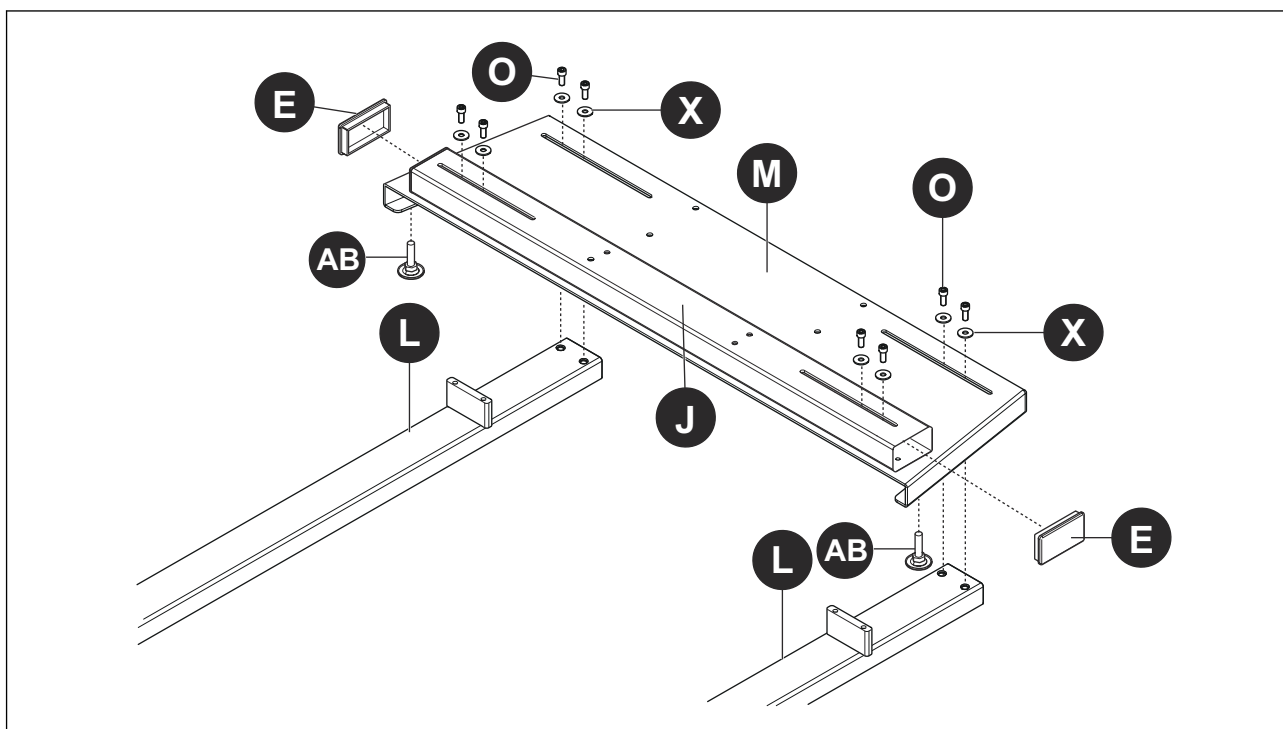
1. Instale las patas regulables (AB) en cada viga de suelo (L). No apriete las patas regulables (AB) en este paso. Fije las placas de tuerca (K) a cada viga de suelo (L) con 2 pernos (O); apriete los pernos (O). Instale las tapas laterales (E) en los extremos de cada viga de suelo (L).



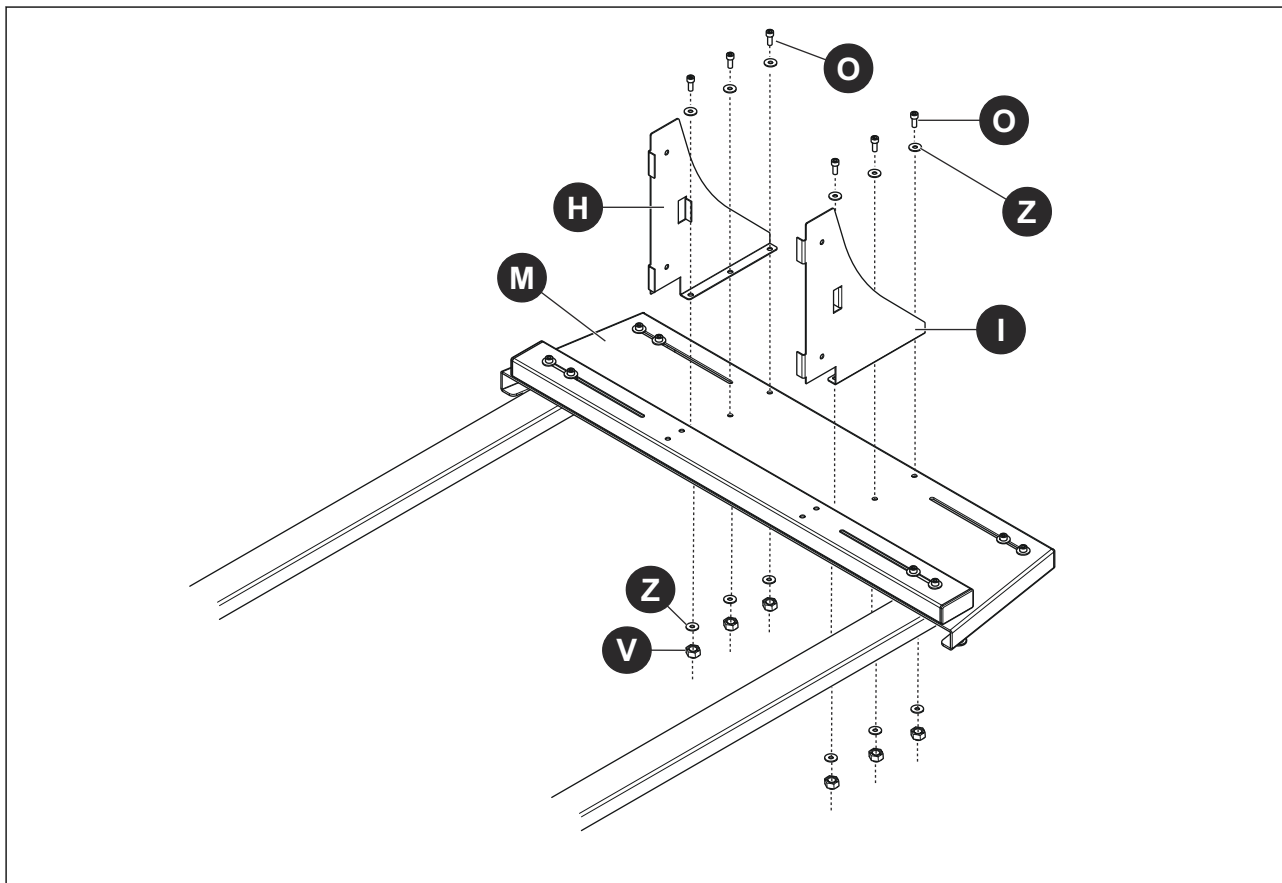
2. Fije la viga de base (J) a la placa de base (M) con 2 (N); apriete los pernos (N).



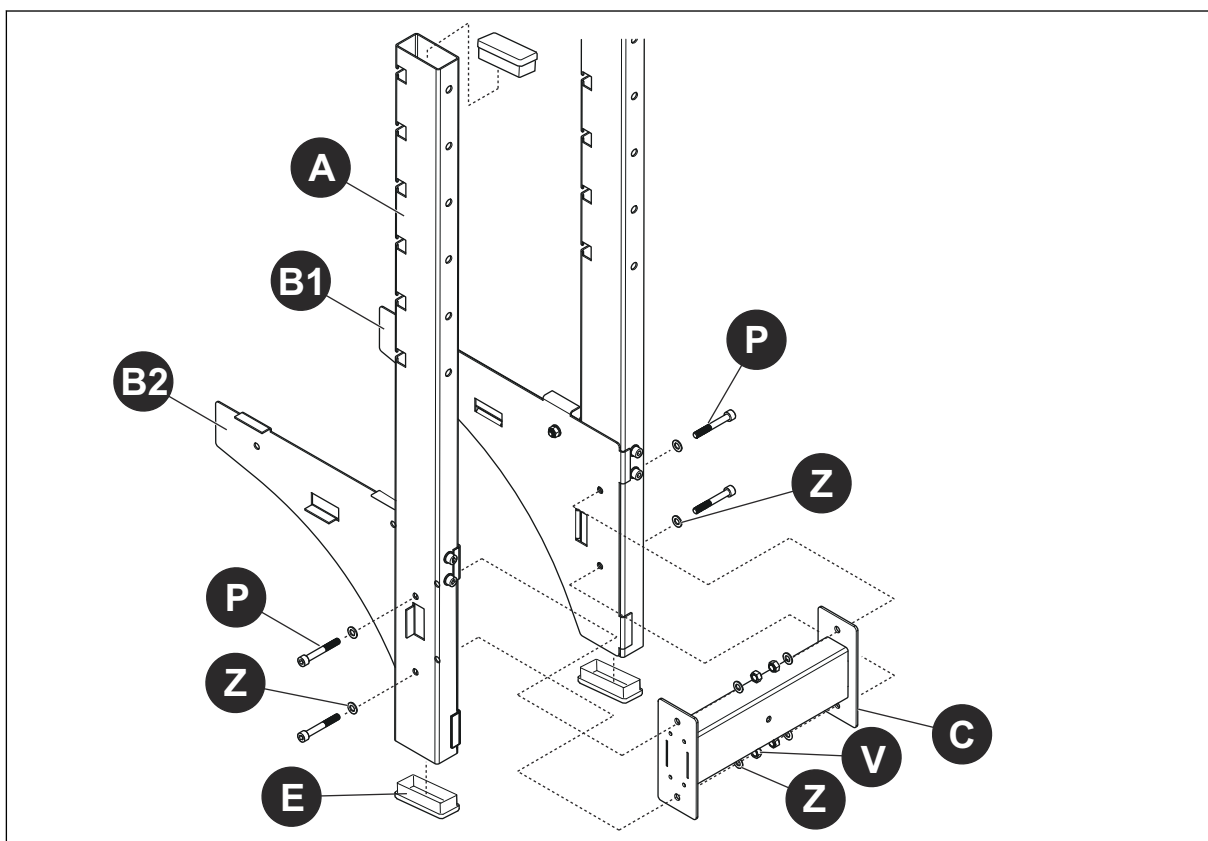
3. Fije las patas regulables (AB) a la placa de base (M). No apriete las patas regulables en este paso. Fije la placa de base (M) a cada viga de suelo (L) con 4 pernos (O) y 4 arandelas (X) por cada viga de suelo; apriete todos los pernos (O). Instale las tapas laterales (E) a cada extremo de la viga de base (J).



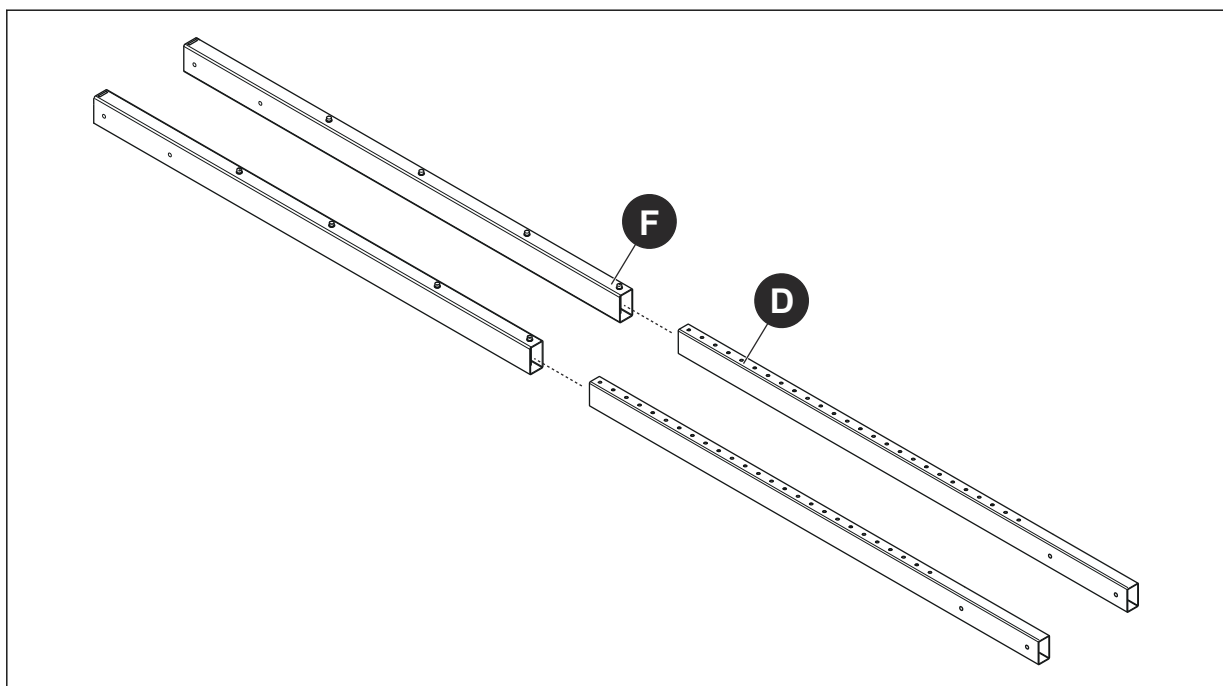
4. Fije la placa de soporte inferior izquierda (H) a la parte superior de la placa de base (M) con 3 pernos (O) y 3 arandelas (Z). Fije la placa de soporte inferior derecha (I) a la placa de base (M) con 3 pernos (O) y 3 arandelas (Z). Debajo de la placa de base (M), instale 3 tuercas (V) y 3 arandelas (Z) por placa de soporte inferior (H, I). Apriete todos los pernos (O) y tuercas (V).



5. **NOTICE** **NOTICE:** La parte delantera de cada viga superior (A) tiene seis ranuras que se extienden a través del lado inferior de la viga; la parte trasera de cada viga superior (A) tiene dos agujeros que se extienden a través de los lados de la viga. De la cara exterior de cada placa de soporte superior (B) salen seis pestañas. La parte superior de cada placa de soporte superior (B) es más larga que la parte inferior de la placa. La parte delantera de cada placa de soporte superior (B) es recta, y la parte trasera de cada placa es cónica.
- Coloque la parte trasera de una viga superior (A) contra la cara exterior de una placa de soporte superior (B). Conecte sin apretar la parte trasera de la viga superior (A) a la placa de soporte superior (B) insertando el perno (P) y la arandela (Z) en cada uno de los agujeros de la cara exterior de la viga superior (A), y a través de la cara interior de la placa de soporte superior (B).
 - Monte el soporte intermedio (C) en los 2 pernos (P) que sobresalen de la cara interior de la placa de soporte superior (B); instale las arandelas (Z) y las tuercas en cada perno (P) y apriéte las.
 - Coloque la parte trasera de la segunda viga superior (A) contra la cara exterior de la segunda placa de soporte superior (B). Conecte sin apretar la parte trasera de la viga superior (A) a la placa de soporte superior (B) insertando el perno (P) y la arandela (Z) en cada uno de los agujeros de la cara exterior de la viga superior (A) y a través de la cara interior de la placa de soporte superior (B).
 - Monte el soporte intermedio (C) en los 2 pernos (P) que sobresalen de la cara interior de la segunda placa de soporte superior (B); instale las arandelas (Z) y las tuercas en cada perno (P) y apriéte las.



6. Introduzca las vigas de regulación de altura (D) en las vigas inferiores (F). Coloque cada viga de regulación de altura (D) en la viga inferior (F) de manera que cuando la ITCU esté instalada en las placas de soporte superior (A), la distancia entre el sistema de salida de la ITCU y la aguja de bordado no supere las 36 pulgadas. Asegúrese de que los agujeros de cada viga de regulación de altura (D) estén alineados con los 4 agujeros de cada lado de la viga inferior (F) en la que se inserta.



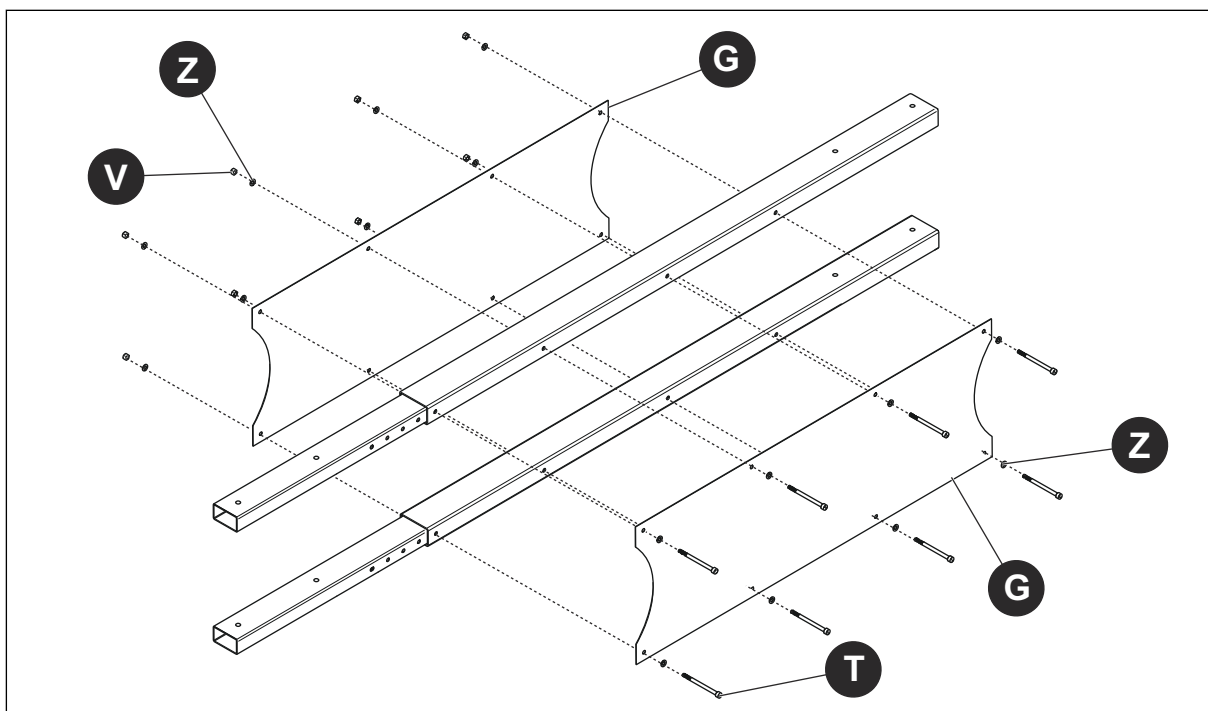
NOTICE NOTICE: Cuando la ITCU se monta en las placas de soporte superiores (A), el sistema de salida estará situado aproximadamente a 36 pulgadas de la parte inferior de las placas de soporte.

7.

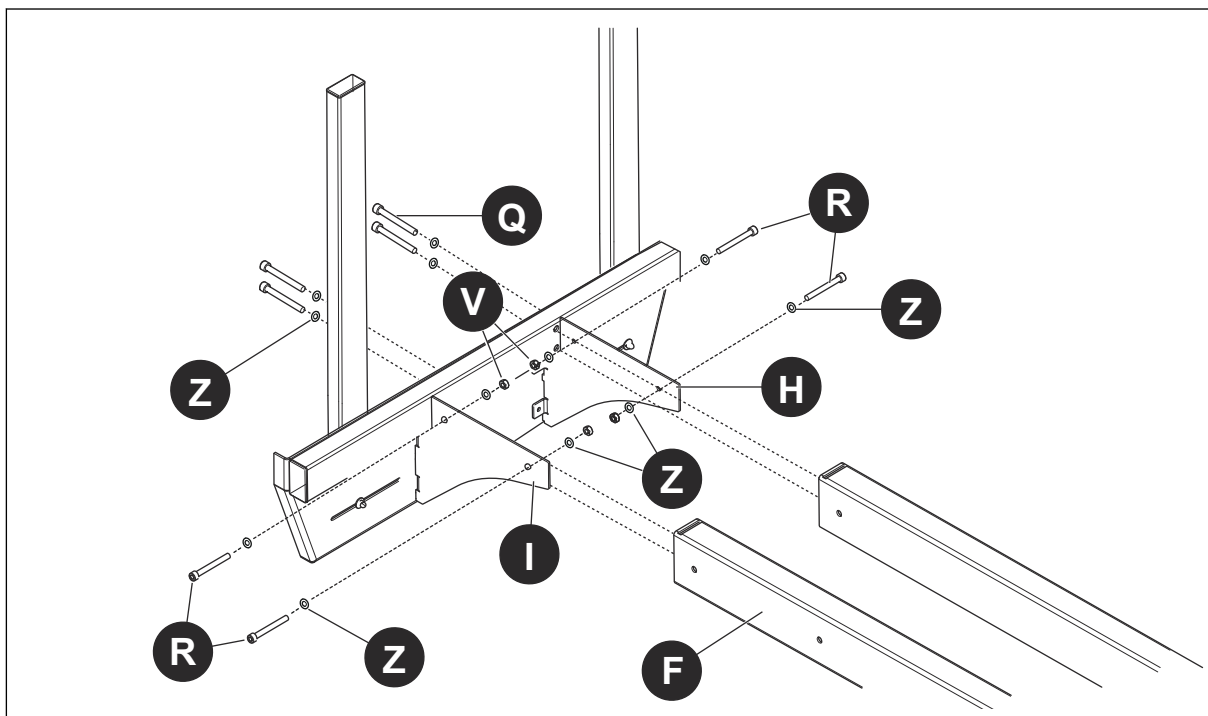


CAUTION: La fijación segura de las cubiertas de chapa (G) a las vigas inferiores (F) y sus vigas de regulación de altura insertadas (D) debe ser realizada por al menos 2 técnicos de servicio capacitados debido al tamaño y peso del conjunto. Si intenta colocar las cubiertas de chapa (G) en las vigas inferiores (F) sin utilizar al menos 2 técnicos de servicio capacitados, podría sufrir lesiones moderadas o leves.

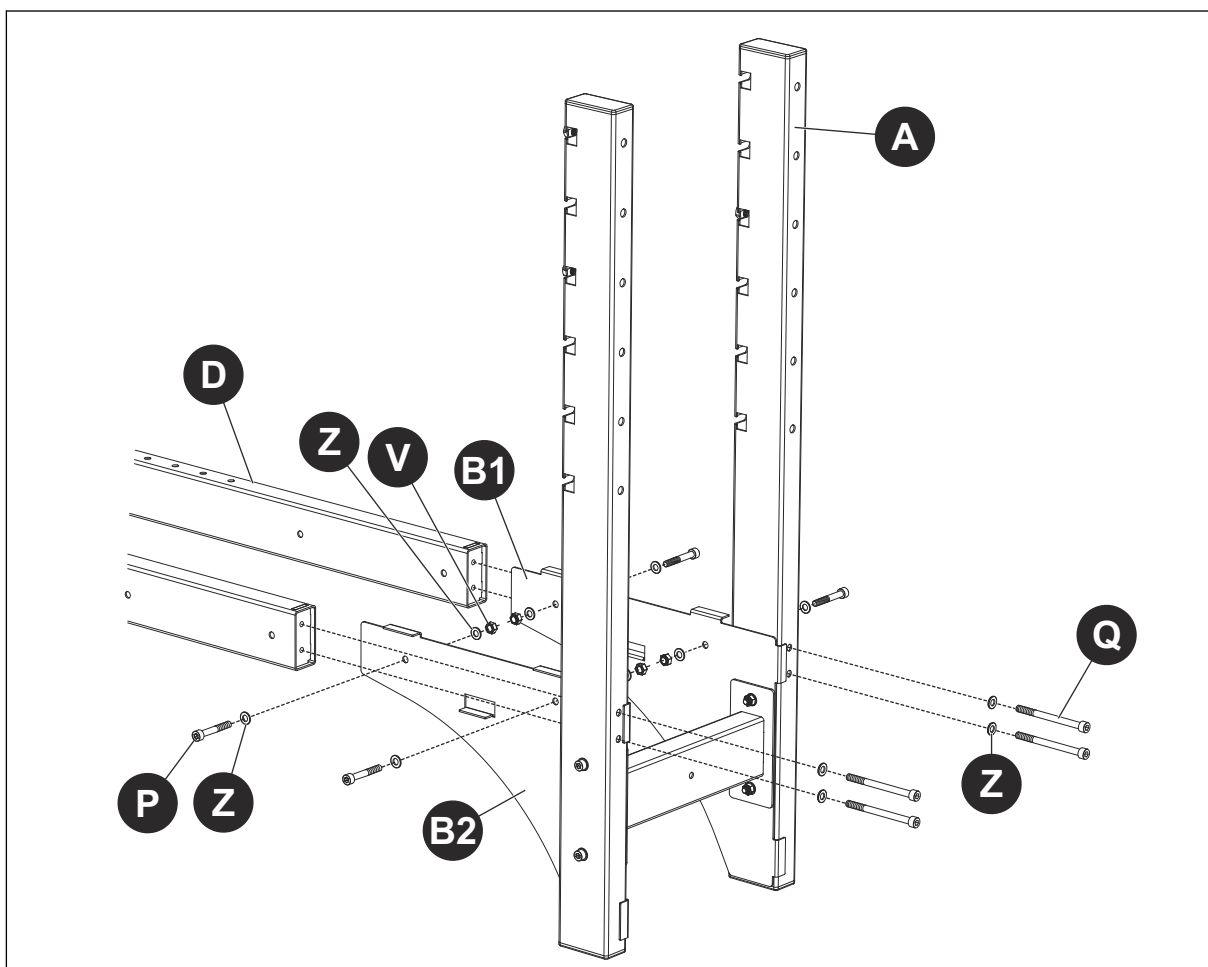
- a. Alinee cada uno de los 4 agujeros a lo largo de un borde de la cubierta de chapa (G) con cada uno de los 4 agujeros en el lado de la viga inferior (F) y su viga de regulación de altura insertada (D). Inserte el perno (T) con la arandela (Z) en cada agujero de la cubierta de chapa (G) y a través de cada agujero de la viga inferior (F).
- b. Alinee cada uno de los 4 agujeros a lo largo de un borde de la segunda cubierta de chapa (G) con cada uno de los 4 pernos (T) que se extienden a través de la viga inferior (F). Inserte cada perno (T) a través de su agujero correspondiente en la segunda cubierta de chapa (G), y fije cada uno con una arandela (Z) y una tuerca (V).
- c. Alinee cada uno de los 4 agujeros de la segunda viga inferior (F) con cada uno de los 4 agujeros de los bordes opuestos de cada cubierta de chapa (G). Inserte el perno (T) con la arandela (Z) en cada agujero de la primera cubierta de chapa (G), y a través de la viga inferior (F) y la segunda cubierta de chapa (G). Fije cada una con la arandela (Z) y la tuerca (V). Apriete todas las tuercas (V).



8.
 - a. Inserte la parte inferior de las vigas inferiores (F) entre las caras interiores de las placas de soporte inferiores (H, I) y contra la parte superior de la placa frontal (M). Alinee los agujeros de las vigas inferiores (F) con los agujeros de las placas de soporte inferiores (H, I), e inserte los pernos (R) con las arandelas (Z) a través de cada agujero de las placas de soporte inferiores (H, I) y de las vigas inferiores (F); fije sin apretar cada uno con la arandela (Z) y la tuerca (V).
 - b. Inserte los pernos (Q) con las arandelas (Z) a través de cada uno de los 4 agujeros en la parte inferior de la placa frontal (M) y en la parte inferior de las vigas inferiores (F).
 - c. Apriete las 4 tuercas (V) y los 4 pernos (Q).



9.
 - a. Deslice las placas de soporte superior con las vigas superiores fijadas (A) sobre las vigas de regulación de altura (D). Alinee cada agujero en los lados de las vigas superiores (A) con cada agujero en los lados de las placas de soporte superior (B).
 - b. Inserte los pernos (R) con las arandelas (Z) a través de cada agujero en los lados de las vigas superiores y las placas de soporte superior. Fije sin apretar con la arandela (Z) y la tuerca (V).
 - c. Inserte los pernos (S) con las arandelas (Z) en los agujeros de la parte superior de las vigas superiores (A) y atornille los pernos en las vigas de regulación de altura (D).
 - d. Apriete las 4 tuercas (V) y los 4 pernos (S).



WARNING: Para levantar y poner en posición vertical de forma segura el soporte de suelo completamente montado se necesitan al menos dos personas debido al tamaño y el peso del soporte de suelo. Si intenta levantar y poner en posición vertical el soporte de suelo completamente montado sin la ayuda de al menos dos personas, usted o cualquier otra persona podría sufrir lesiones graves.

10. Coloque el soporte de suelo completamente montado en posición vertical. Asegúrese de que todos los pernos y tuercas instalados estén apretados. Con un nivel en los lados superiores de las vigas superiores (A) y el soporte intermedio (C), ajuste las patas regulables (AB) para que el soporte de suelo esté nivelado de delante a atrás y de izquierda a derecha.

NOTICE NOTICE: Una vez que esté completamente montado y en posición vertical:

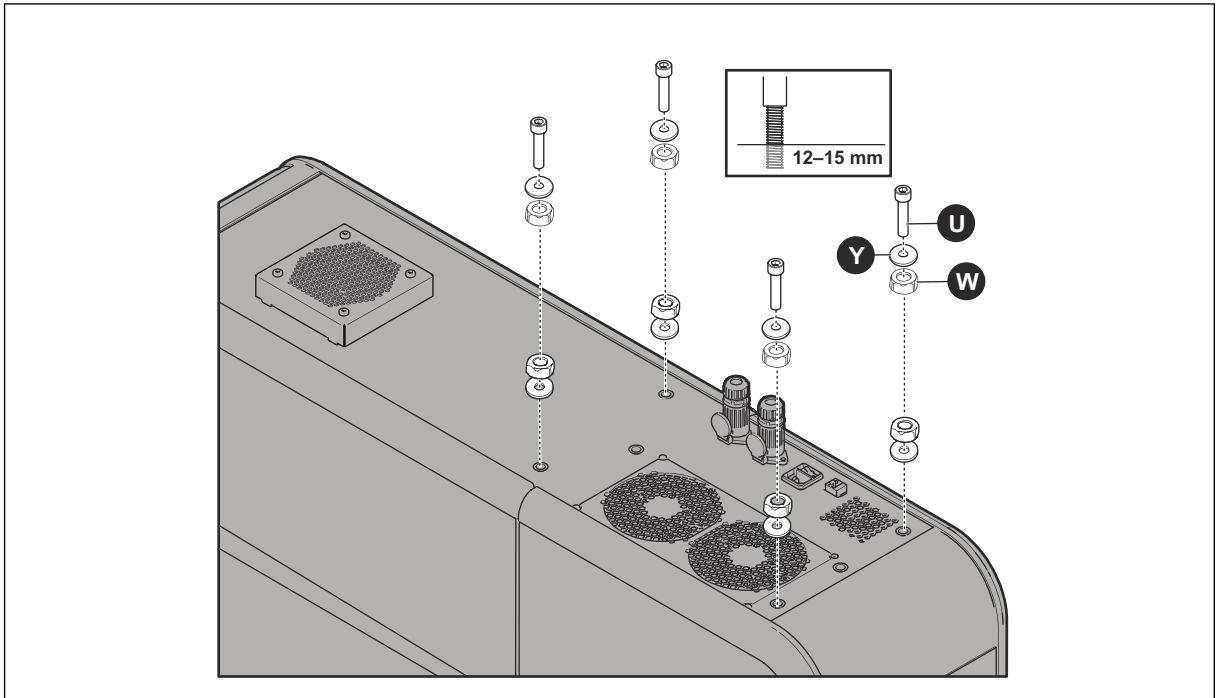
- La parte superior del soporte de suelo debe estar al menos 12 pulgadas por debajo del techo o de cualquier objeto que cuelgue por debajo del techo y dentro de un radio de 12 pulgadas del lugar en el que se va a instalar y utilizar la ITCU; y
- el soporte de suelo no puede instalarse ni utilizarse en un ángulo superior a 3° con respecto al plano horizontal.
- El soporte de suelo debe colocarse en el interior y cerca de una toma de corriente de fácil acceso para poder enchufar la ITCU directamente a esa toma.

11.3 Fijación de la ITCU al soporte de suelo



WARNING: Los cables de este producto transportan tensión eléctrica. La exposición a la tensión eléctrica puede provocar una descarga eléctrica. No enchufe este producto mientras lo fija al soporte de suelo. Si el producto está enchufado mientras se fija al soporte de suelo, puede causar la muerte o lesiones graves a usted o a otras personas.

1. Instale los pernos (U), las arandelas (Y) y la tuerca (W) en la placa del bastidor de la ITCU en la parte superior de la unidad. Apriete los pernos (U) $\frac{1}{2}$ pulgada en la placa del bastidor.

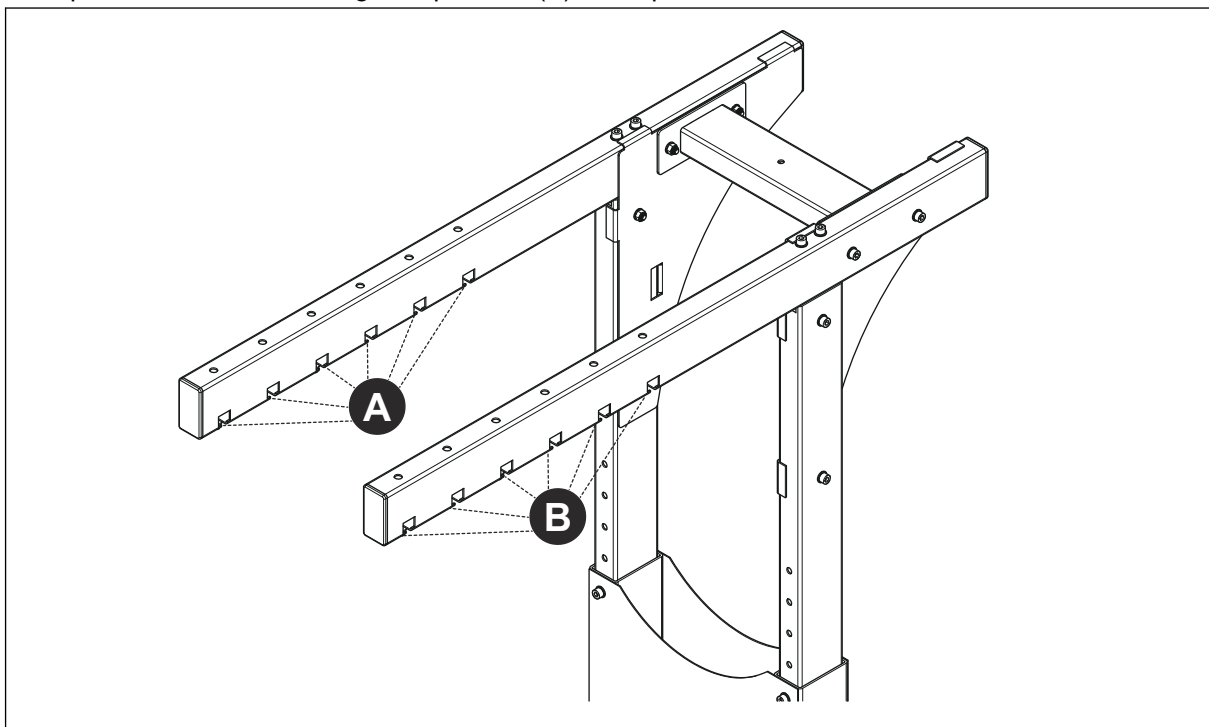


2. Retire las puertas desmontables de la ITCU.

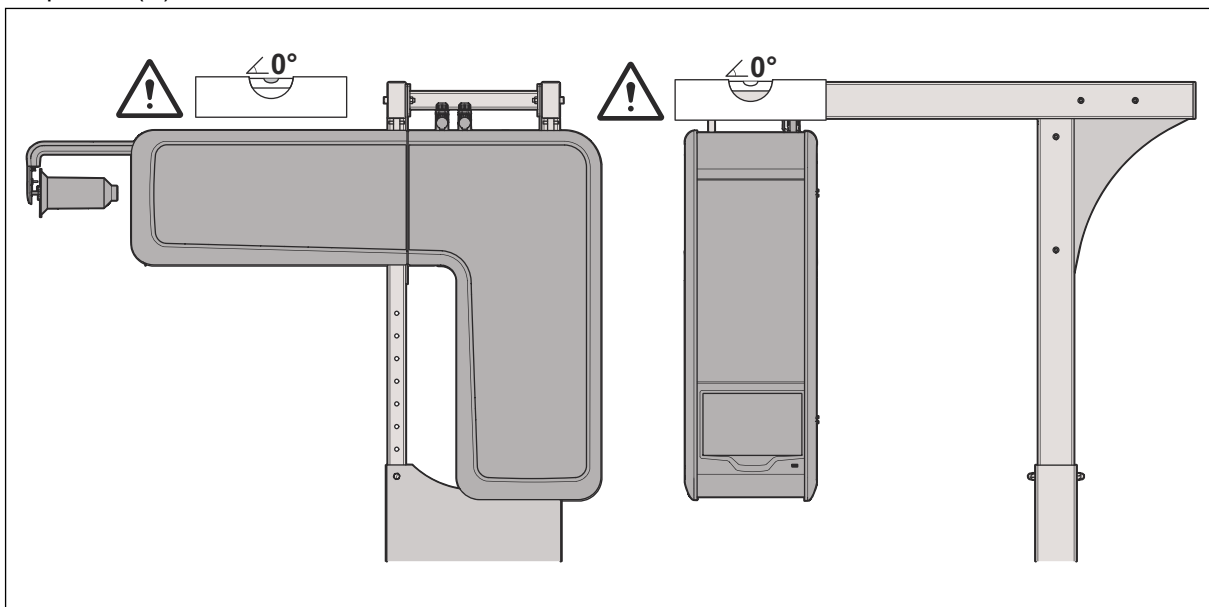


WARNING: Para fijar la ITCU de forma segura al soporte de suelo se necesitan al menos dos personas debido al tamaño y el peso de la unidad. Si intenta fijar la ITCU al soporte de suelo sin la ayuda de al menos dos personas, usted o cualquier otra persona podría sufrir lesiones graves.

3. Levante la ITCU y alinee las cabezas de los pernos instalados (U) a la izquierda de las ranuras de la parte delantera de las vigas superiores (A) del soporte de suelo.



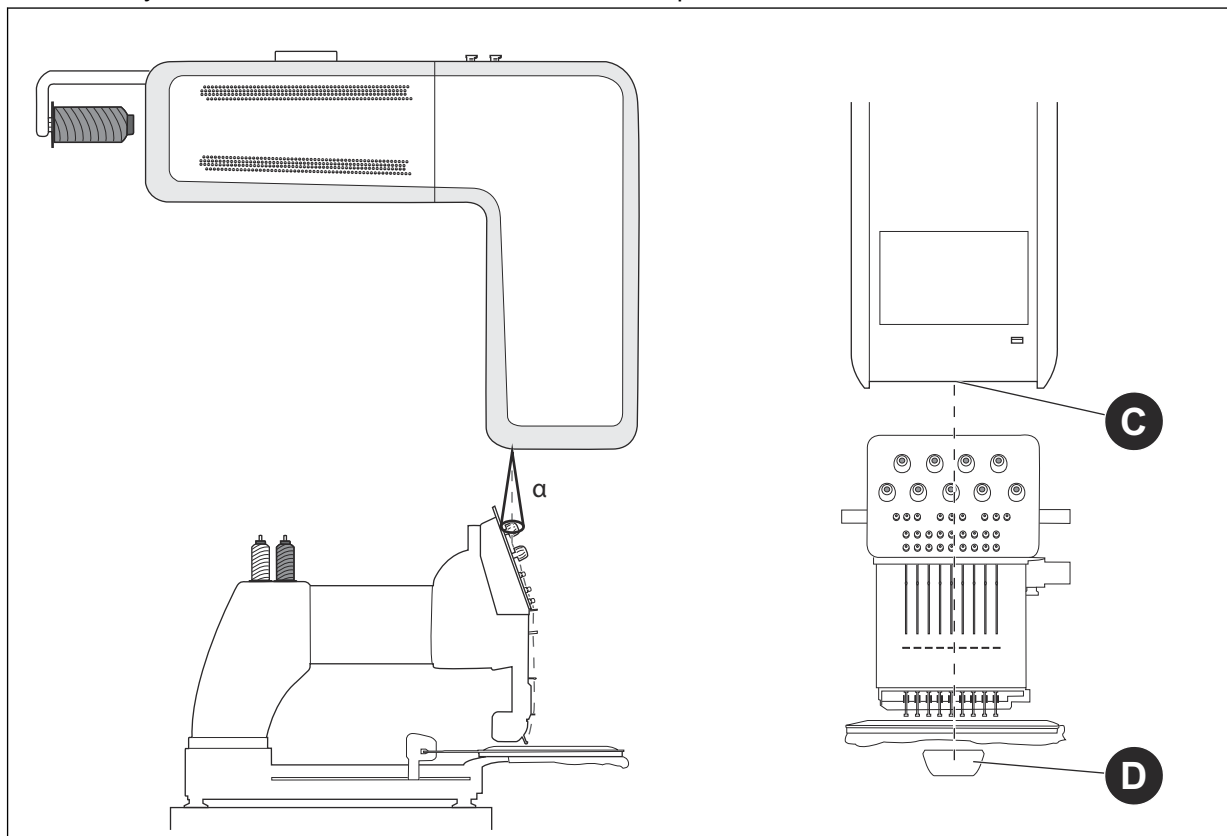
4. Deslice la ITCU hacia la derecha hasta que las cabezas de los pernos (U) instalados estén completamente insertadas en las ranuras de las vigas superiores (A) del soporte de suelo.
5. Con un nivel en la parte superior de la ITCU, ajuste las tuercas (W) y los pernos (U) instalados en la placa del bastidor de la unidad para que la unidad esté nivelada de delante a atrás y de izquierda a derecha. Asegure la ITCU a las vigas superiores (A) del soporte de suelo apretando los pernos (U).



NOTICE **NOTICE:** La ITCU no puede instalarse ni utilizarse en un ángulo superior a 3° con respecto al plano horizontal. La ITCU no puede instalarse ni funcionar en un lugar en el cual las aberturas de ventilación estén restringidas por un objeto situado a menos de 6 pulgadas de estas.

6. Vuelva a instalar las puertas desmontables en la ITCU. Instale la bobina de hilo en la unidad.

7. Coloque la máquina bordadora debajo de la ITCU montada y en posición vertical. La máquina bordadora debe colocarse de manera que el puerto del sistema de salida de la ITCU esté alineado verticalmente [véase (C) y (D) más abajo], con la entrada de hilo de la máquina bordadora, y el centro del brazo de hilo inferior de la máquina bordadora.

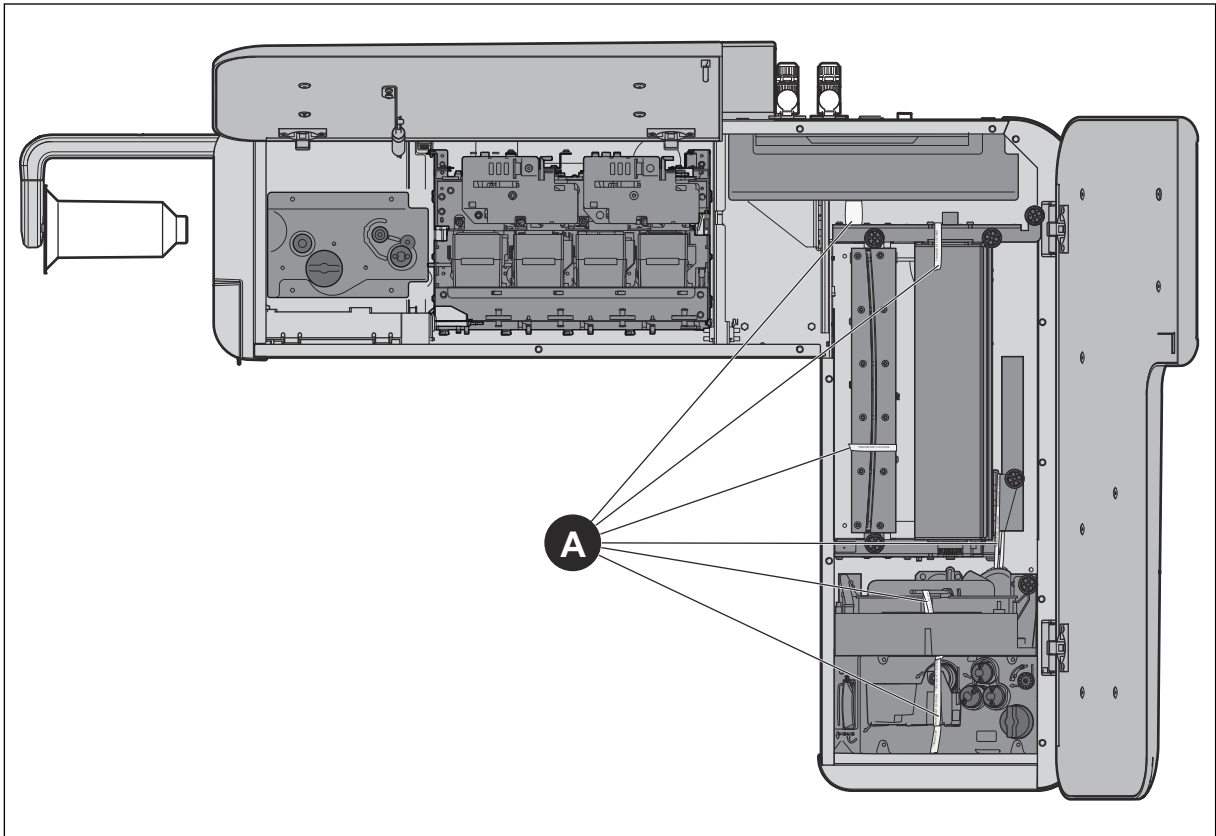


NOTICE NOTICE: El ángulo vertical desde el puerto del sistema de salida de la ITCU hasta la entrada del hilo de la máquina bordadora no puede superar los 10°. La distancia entre el sistema de salida de la unidad y la aguja de bordado debe ser lo más corta posible para obtener la mejor precisión de color, y no debe superar las 36 pulgadas.

11.4 Bloqueo de transporte

Abra la puerta delantera de la ITCU y retire con cuidado los 6 cierres de transporte. Una vez retirados los 6 cierres de transporte, cierre bien la puerta delantera de la ITCU.

NOTICE NOTICE: Antes de instalar la ITCU en una red, o de intentar utilizar la unidad, deben retirarse todos los cierres de transporte; de lo contrario, este producto resultará dañado.



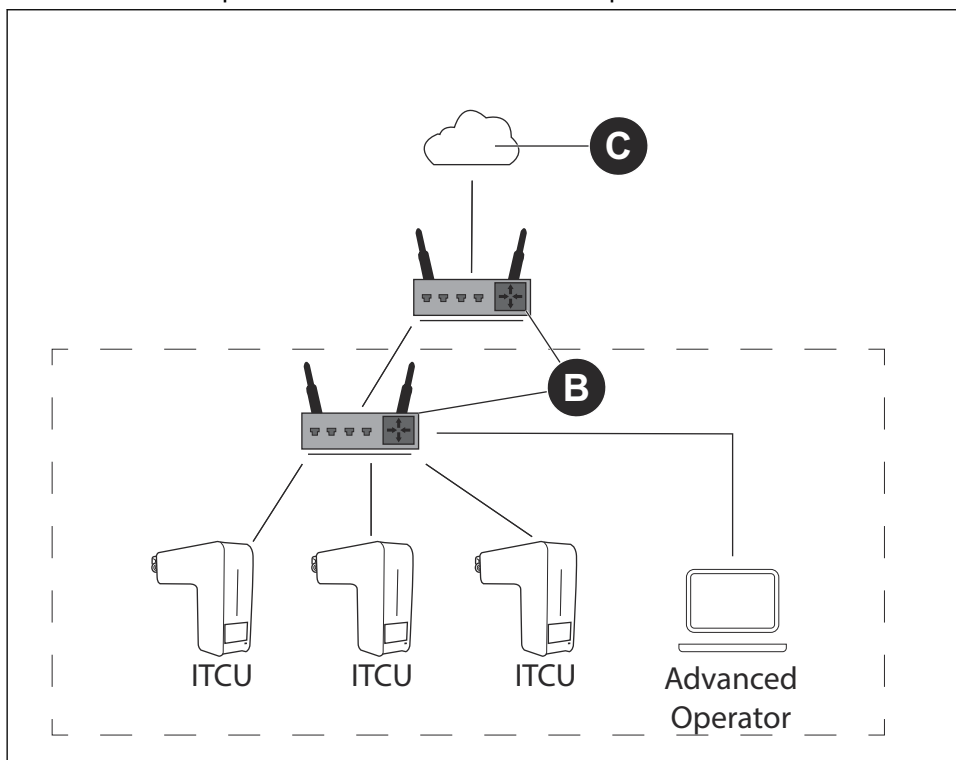
12 Configuración de la red

12.1 Introducción

Para utilizar la ITCU, es necesario instalarla en una red. Recomendamos instalar la unidad en una red conectada a Internet para asegurarse de que puede acceder a las últimas actualizaciones de software. Si no es posible, puede conectar la ITCU a través de una red local.

12.2 Conexión de una Coloreel ITCU a una red

Asegúrese de tener un router, acceso a Internet y una computadora para acceder a la ITCU. La ITCU tendrá una red separada dentro de la red de la empresa.



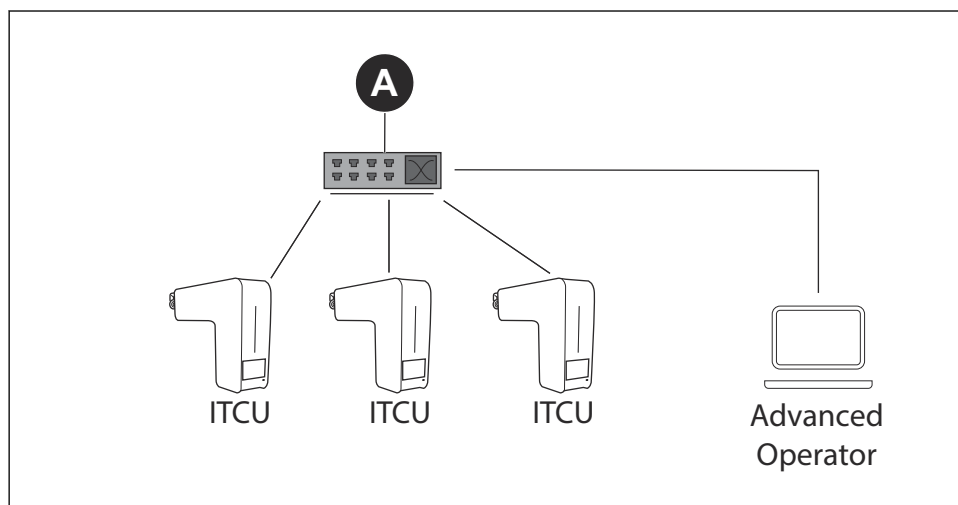
1. Conecte la ITCU al router (B). Conecte el cable ethernet a un conector privado.

NOTICE **NOTICE:** Si su centro de producción tiene una red cerrada para la producción, utilice el conector público que se conecta a Internet para actualizar el software.

2. Conecte la computadora a la red con acceso a Internet (C).
3. Identifique la dirección IP de la ITCU.
4. Conéctese a la ITCU. Consulte el *Manual del operador completo*.

12.3 Conexión de una Coloreel ITCU a una red local

Asegúrese de tener un switch/router (A) y una computadora para acceder a la ITCU.



1. Conecte la ITCU switch/router (A). Conecte el cable ethernet a un conector privado.

NOTICE **NOTICE:** Si su centro de producción tiene una red cerrada para la producción, utilice el conector público que se conecta a Internet para actualizar el software.

2. Conecte la computadora al switch/router (A).
3. Configure una IP estática para la ITCU. Si no sabe cómo configurar una IP estática, consulte al Departamento de Informática.
4. Conéctese a la ITCU. Consulte el *Manual del operador completo*.

13 Purgado de la ITCU

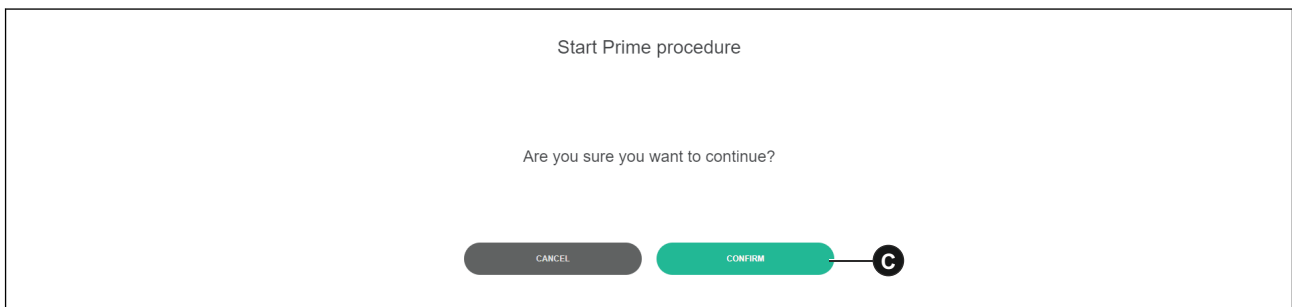
13.1 Uso de la función de purgado

La función de purgado debe utilizarse antes de poner en funcionamiento la ITCU por primera vez. El purgado lo puede realizar un técnico de servicio aprobado por Coloreel, con credenciales de inicio de sesión de *Técnico*.

1. Instale todos los cartuchos de color antes de poner en marcha la ITCU. Consulte el *Manual del operador completo*.
2. Asegúrese de que el depósito de residuos de la ITCU esté vacío.
3. En el panel del operador, seleccione *Mantenimiento*.
4. Seleccione *Purgar (A)*.



5. Haga clic en el botón (B) *Iniciar purgado*.
6. Haga clic en el botón (C) *Confirmar*. Se inicia el procedimiento de purgado.



14 Calibración automática de la ITCU

14.1 Introducción

La calibración automática la puede realizar un técnico de servicio aprobado por Coloreel, con credenciales de inicio de sesión de *Técnico*.



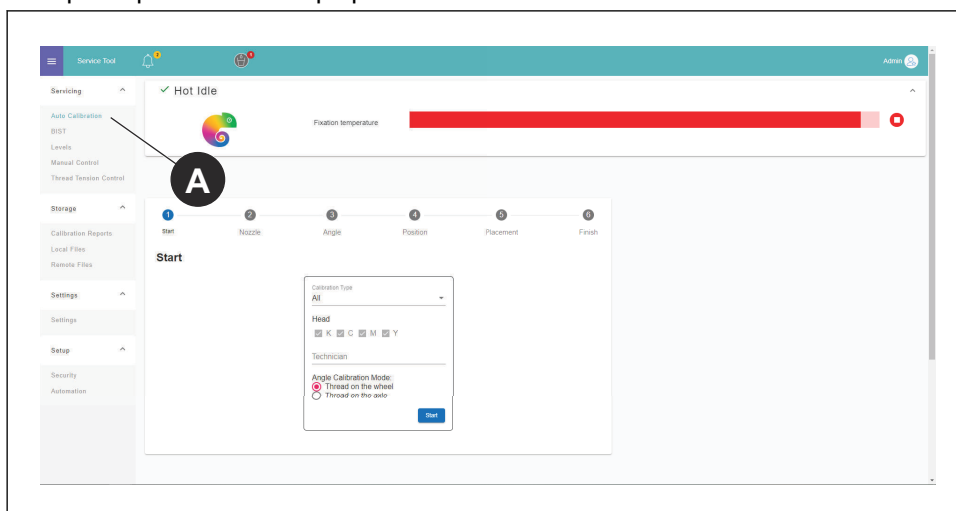
WARNING: Para realizar las funciones de calibración automática con la ITCU es necesario enhebrar la unidad. Antes de intentar enhebrar la ITCU, lea detenidamente, comprenda y siga cada una de las instrucciones que figuran en las secciones 2 y 4 del Manual del operador de la ITCU. Si no se leen detenidamente, se comprenden y se siguen todas las instrucciones de las secciones 2 y 4 del Manual del operador completo de la ITCU antes de intentar enhebrar la unidad podría provocar la muerte o lesiones graves a usted o a otras personas.

NOTICE

NOTICE: Realizar cualquier función de calibración automática con la ITCU sin que la unidad esté enhebrada podría provocar daños en este producto o en otras propiedades.

14.2 Calibración automática

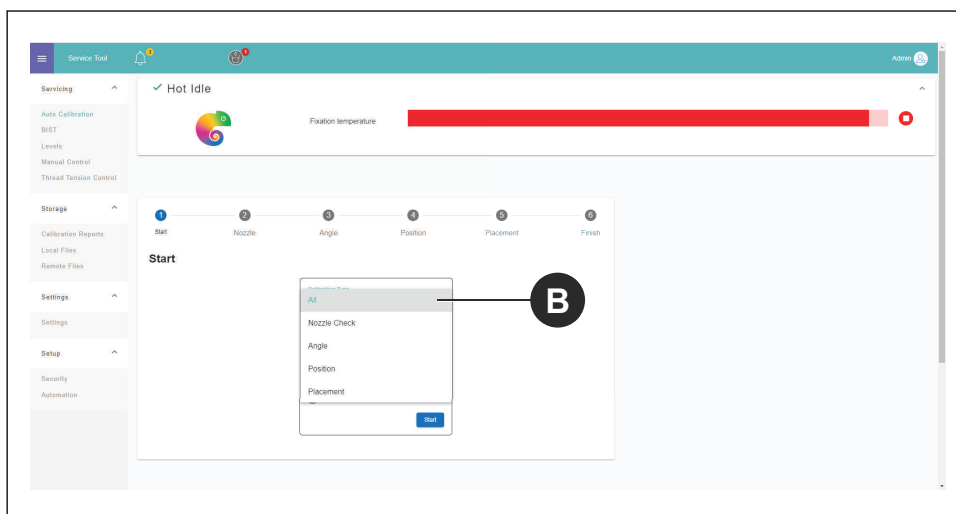
Desde la pestaña (A) Calibración automática, los cabezales de impresión de la ITCU pueden calibrarse para que la tinta se aplique correctamente al hilo.



14.3 Realizar una calibración automática

La calibración automática puede realizarse de diferentes maneras. El modo de calibración *Total* calibrará todos los colores. Otros modos de calibración pueden calibrar por separado los colores individuales.

1. En la página de calibración automática, seleccione el modo de calibración *Total* en la lista desplegable (B).

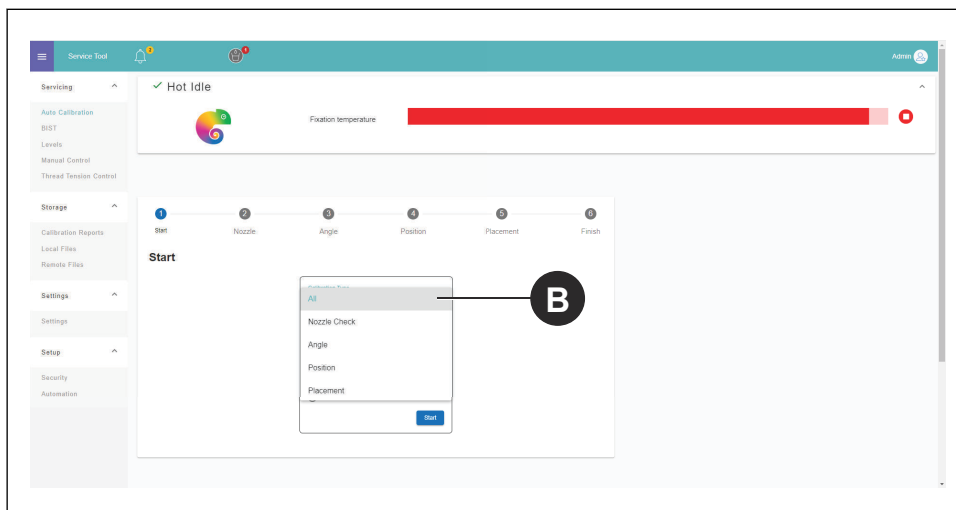


2. Pulse **Inicio** y permita que finalice la calibración automática.

NOTICE NOTICE: La ITCU entra en el *Modo servicio* y se calienta, cuando se inicia la calibración automática.

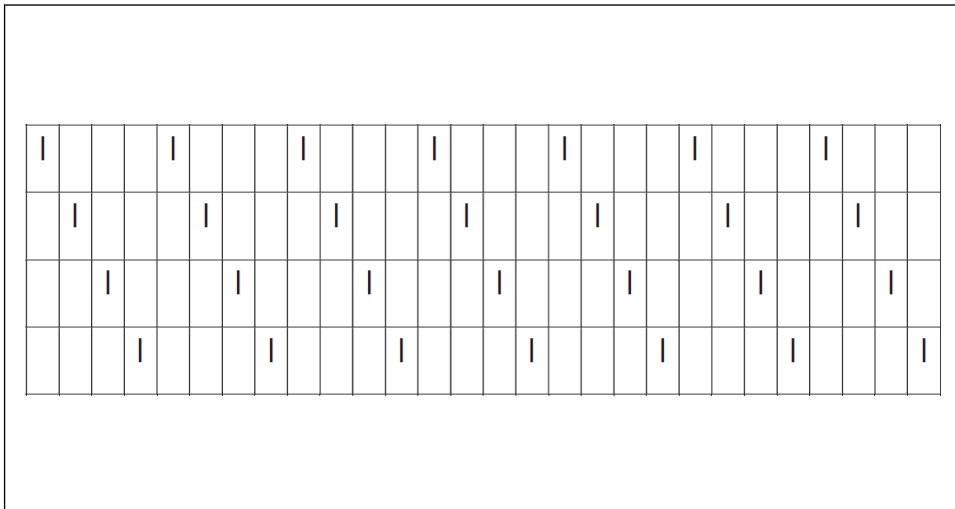
14.4 Realizar un chequeo de boquilla

1. En la página de calibración automática, seleccione *Chequear boquilla* en la lista desplegable (B).



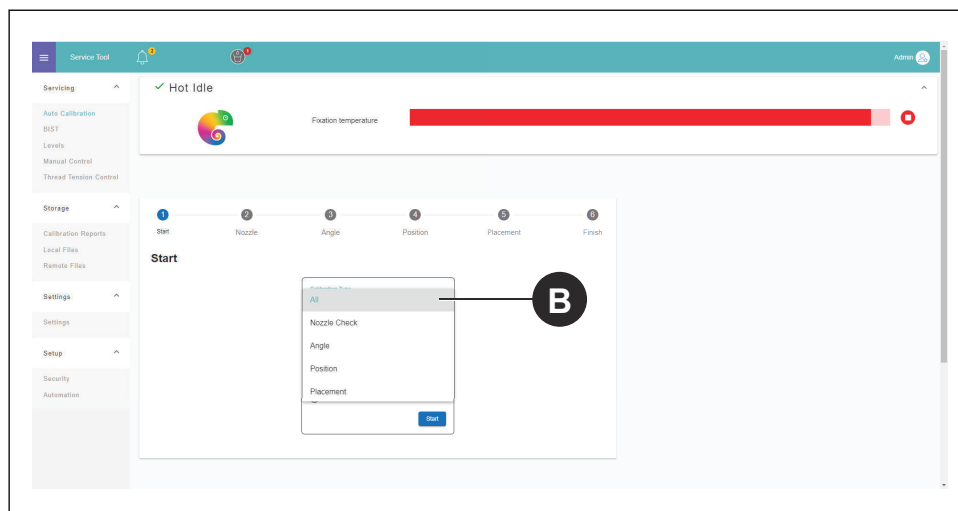
2. Pulse **Inicio**.
3. Sujete un papel entre el hilo y el cabezal de la boquilla.
4. Tire del papel hacia usted y, al mismo tiempo, tire del hilo en la dirección del avance del hilo.

5. Asegúrese de que cada sección tenga color.



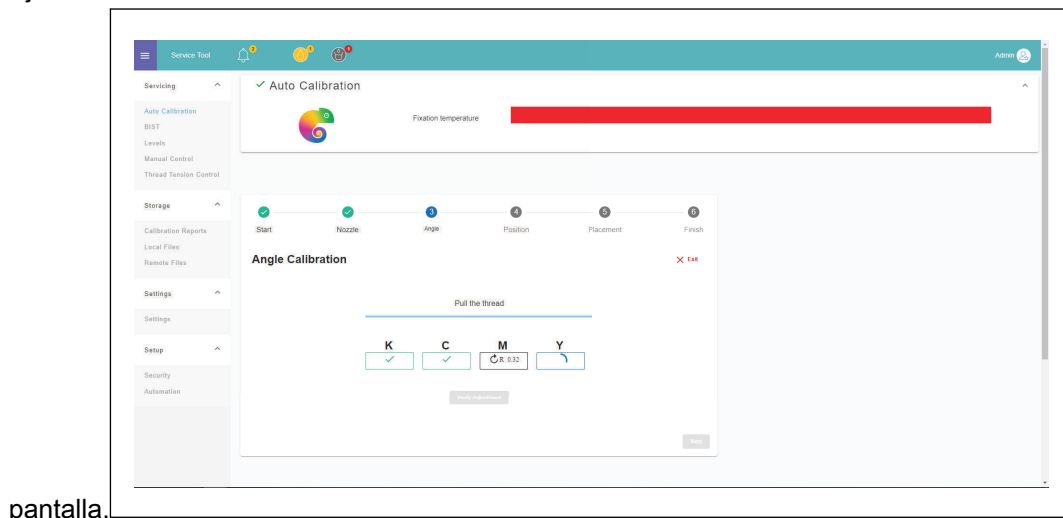
14.5 Realizar una calibración del ángulo de cabezal

1. En la página de calibración automática, seleccione *Calibración del ángulo de cabezal* en la lista desplegable (B).



2. Pulse **Inicio**.
3. Tire del hilo.

4. Ajuste los colores mostrando una desviación en la



NOTICE **NOTICE:** Para saber cómo ajustar los colores físicamente en la ITCU consulte, [14.5.1](#).

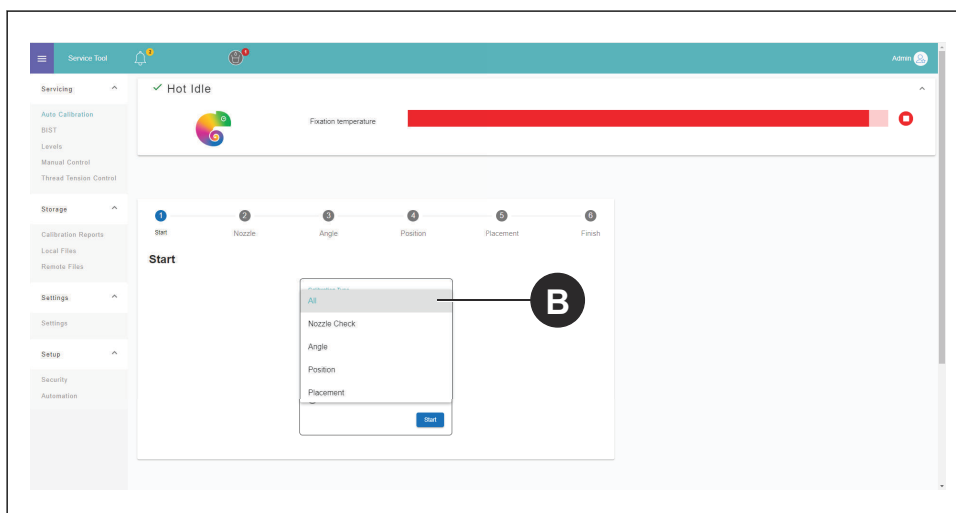
5. Vuelva a tirar del hilo para hacer una calibración de los colores ajustados.

14.5.1 Para ajustar los colores

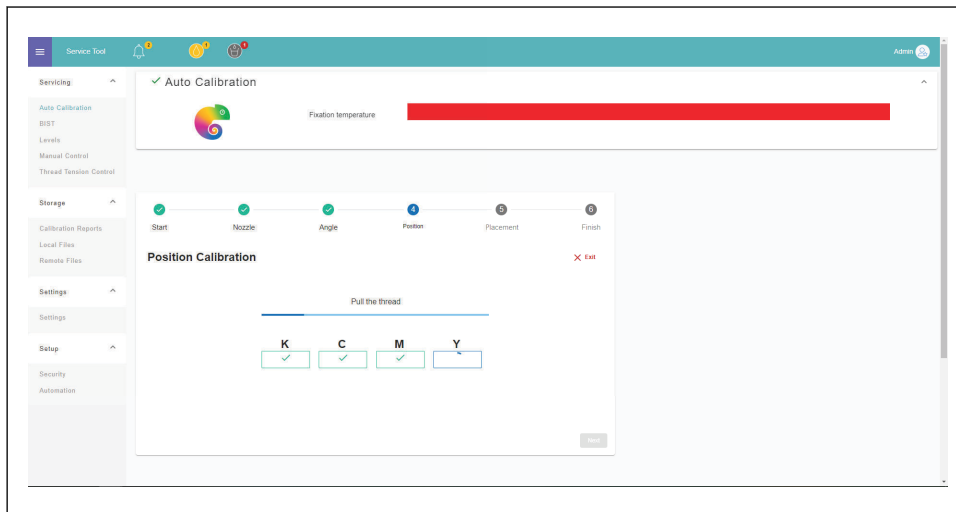
1. Afloje los tornillos de ajuste 2,5 vueltas en el cabezal de impresión del color que desee ajustar.
2. Ajuste el tornillo de ajuste según el valor indicado en la pantalla. L es en sentido antihorario y R en sentido horario.
3. Apriete los tornillos de fijación con una fuerza de 0,35 Nm.

14.6 Realizar una calibración de la posición del cabezal

1. En la página de calibración automática, seleccione *Calibración de la posición del cabezal* en la lista desplegable (B).

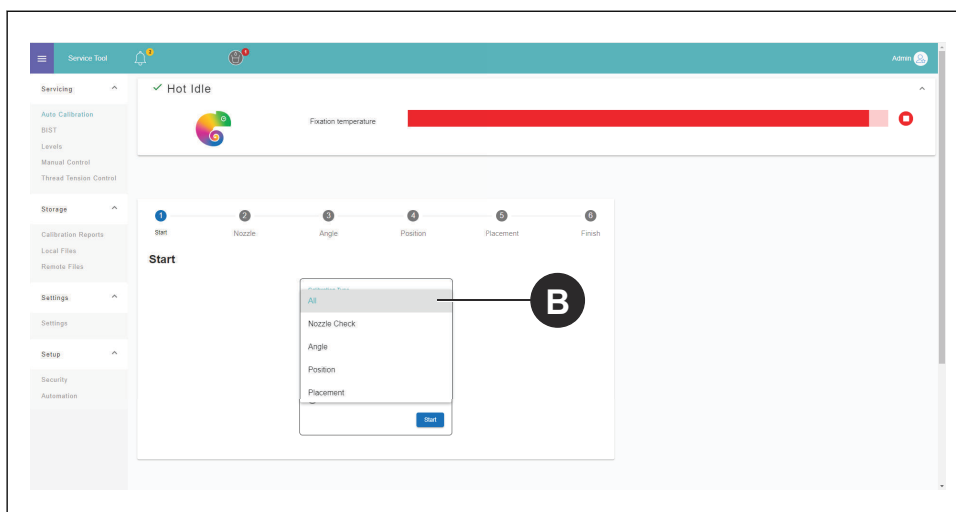


4. Todos los colores se calibran al mismo tiempo y la posición de cada cabezal se guarda en el *Archivo config*.



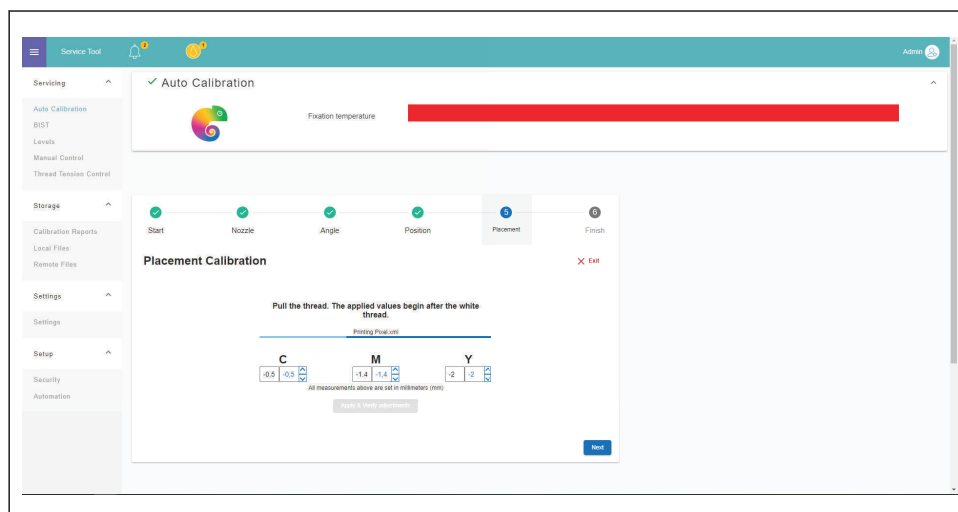
14.7 Realizar una calibración de la colocación del cabezal

1. En la página de calibración automática, seleccione *Calibración de la colocación del cabezal* en la lista desplegable (B).

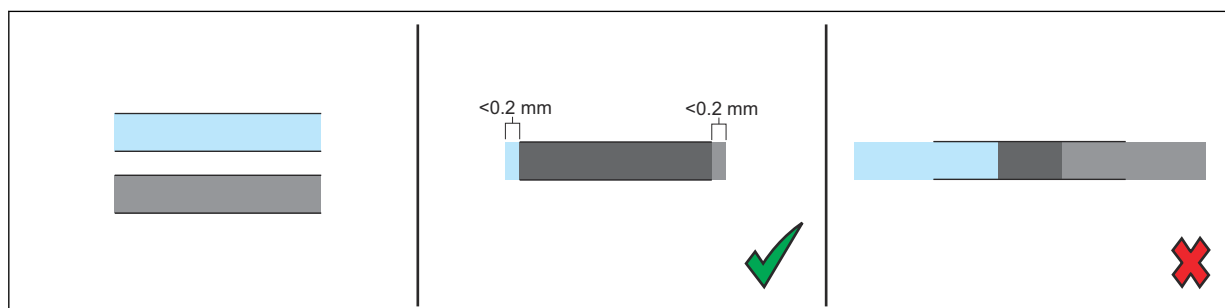


2. Pulse **Inicio**.

3. Tire del hilo. Se aplica un patrón de dos colores en el hilo.

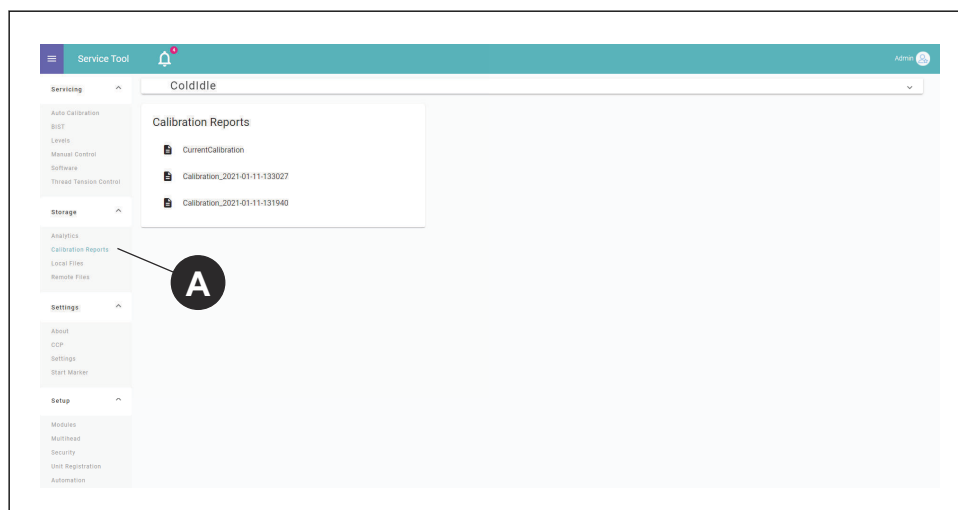


4. Asegúrese de que los colores se pongan uno encima del otro, con una separación de desviación máxima inferior a 0,2 mm en cada lado.



14.8 Realizar el informe de calibración

1. Seleccione *Informes de calibración* (A) en el menú de la barra lateral.



2. Haga clic en el informe que quiera visualizar.

15 Configuración del recuento de puntadas

15.1 Introducción

Para mejorar la Precisión de cambio de color, CCP, se debe añadir la información del recuento de puntadas de la máquina bordadora en la *Configuración* de la ITCU. Introduzca la información necesaria para ajustar los parámetros correctamente:

Conversión de salto	Número de puntadas de salto consecutivo que provocan un recorte (0-9, por defecto: 3)
Remates iniciales	Número de puntadas de unión (0-10, por defecto: 4)
Remates finales	Número de puntadas de remate (0-10, por defecto: 2)
Puntadas tras rotura de hilo	Número de puntadas de unión realizadas tras una rotura de hilo (0-10, por defecto: 0)
Longitud de puntada	Longitud de una puntada de unión en mm (0,1-5, por defecto: 0,5)
Eliminar las puntadas DST sin ninguna longitud (por defecto: Encendido)	Encendido/apagado
Sensor de puntada montado en el eje principal	Encendido/apagado
Rotaciones adicionales del eje principal durante el recorte	Número de rotaciones del eje principal que se dan durante el recorte, sin incluir las puntadas de unión (0-5, por defecto: 1)
Rotaciones adicionales del eje principal durante el cambio de color	Número de rotaciones del eje principal que se dan durante el cambio de color, sin incluir las puntadas de unión (0-5, por defecto: 2)

15.2 Gestión de la configuración de CCP

1. Seleccione *Configuración*.
2. En el menú de configuración, seleccione *Precisión del cambio de color*.

15.3 Alineación de la configuración del recuento de puntadas

1. Seleccione *Configuración*.
2. En el menú de configuración, seleccione *Precisión del cambio de color*.

3. Añada los datos de entrada en los campos situados debajo de *Máquina de bordado* (A).

COLOREEL 30% 25% 20% 5% 74% 36% 26°

CCP

Active Setup

Twilly

Data Collection Method

Aggregated Sample Data

A Embroidery Machine **B** Advanced

Jump convert
3
Number of consecutive jump stitches that causes a trim (0-9, default: 3)

Tie ins
4
Number of tie in stitches (0-10, default: 4)

Tie offs
2
Number of tie off stitches (0-10, default: 2)

Thread break ties
0
Number of tie stitches made after a thread break (0-10, default: 0)

Tie stitch length
0.5
Length of a tie stitch in mm (0.1-5, default: 0.5)

4. Para añadir las configuraciones avanzadas, seleccione el botón (B) y añada los datos de entrada.

NOTICE **NOTICE:** Si tiene dudas sobre las configuraciones de recuento de puntadas de la máquina bordadora que se utiliza con la ITCU, consulte el manual de su máquina bordadora.

16 Notas

Contents

17 Sécurité.....	68	21 Amorçage ITCU.....	87
17.1 Symboles d'alerte de sécurité et mentions d'avertissement.....	68	21.1 Utilisation de la fonction d'amorçage.....	87
17.2 Consignes de sécurité générales.....	68	22 Auto-calibrage ITCU.....	88
17.3 Consignes de sécurité relatives à l'installation.....	68	22.1 Introduction	88
18 Liste des pièces.....	70	22.2 Auto-Calibration.....	88
18.1 Introduction.....	70	22.3 Effectuer un calibrage automatique.....	88
18.2 Pièces détachées pour pieds de sol.....	71	22.4 Effectuer un contrôle de la buse.....	89
18.3 Matériel de support au sol.....	72	22.5 Réalisation d'un étalonnage de l'angle de la tête.....	90
19 Assemblage des pièces.....	74	22.5.1 Pour ajuster les couleurs.....	91
19.1 Introduction.....	74	22.6 Réalisation d'un étalonnage de la position de la tête.....	91
19.2 Montage du support au sol.....	74	22.7 Effectuer un étalonnage du positionnement de la tête.....	92
19.3 ITCU fixation au support de sol.....	81	22.8 Exécution du rapport d'étalonnage.....	93
19.4 Verrous de transport.....	83	23 Réglages du nombre de points.....	94
20 Configuration du réseau.....	85	23.1 Introduction.....	94
20.1 Introduction	85	23.2 Gestion des paramètres CCP.....	94
20.2 Pour connecter une ITCU Coloreel à un réseau.....	85	23.3 Alignement des paramètres de comptage de points.....	94
20.3 Connecter une ITCU Coloreel à un réseau local.....	85	24 Remarques.....	96

17 Sécurité

17.1 Symboles d'alerte de sécurité et mentions d'avertissement

Ce manuel d'installation contient des symboles d'alerte, de sécurité, des symboles d'avis et des mots de signalisation. Ces symboles et mots sont illustrés et expliqués ci-dessous. Chaque symbole d'alerte de sécurité, symbole d'avis et mot de signalisation signale des risques ou fournit d'autres informations importantes pour l'installation sûre et correcte de ce produit.



WARNING: Ce symbole d'alerte de sécurité et ce mot d'avertissement signalent une situation dangereuse qui, si elle n'est pas évitée, pourrait entraîner la mort ou des blessures graves.



CAUTION: Ce symbole d'alerte de sécurité et ce mot d'avertissement signalent une situation dangereuse qui, si elle n'est pas évitée, pourrait entraîner des blessures légères ou de gravité modérée.



NOTICE

NOTICE: Ce symbole d'information et ce mot d'avertissement signalent des renseignements importants.

17.2 Consignes de sécurité générales



WARNING: Avant de commencer l'installation de ce produit, lisez attentivement, comprenez parfaitement et suivez chacune des instructions générales de sécurité ci-dessous ; le non-respect de ces instructions peut entraîner la mort ou des blessures graves pour vous ou pour une personne se trouvant à proximité.

- Suivez tous les messages de sécurité et les instructions de ce manuel d'installation, ainsi que toutes les instructions fournies sur l'écran tactile du produit, lors de l'installation de ce produit.
- Ce produit crée un champ électromagnétique pendant son fonctionnement. Ce champ peut interférer avec des implants médicaux actifs ou passifs. Les personnes ayant des implants médicaux doivent consulter leur médecin avant de tenter l'installation de ce produit.
- Les câbles de ce produit peuvent être sous tension. L'exposition à une tension électrique peut provoquer une décharge électrique. Ne touchez pas les câbles de ce produit lorsqu'il est branché.
- Ce manuel d'installation contient des messages de sécurité et des instructions d'entretien à suivre une fois l'installation terminée. Ne jetez pas ce manuel d'installation. Conservez ce manuel d'installation dans un endroit sec et facile à trouver.
- Si vous avez des questions concernant un message de sécurité ou une instruction contenue dans ce manuel d'installation, contactez le service d'assistance de Coloreel à l'adresse <https://www.coloreel.com/support> avant de commencer l'installation de ce produit.

17.3 Consignes de sécurité relatives à l'installation



WARNING: Avant de commencer l'installation de ce produit, lisez attentivement, comprenez parfaitement et suivez chacune des instructions de sécurité pour l'installation ci-dessous ; le non-respect de ces instructions peut entraîner la mort ou des blessures graves pour vous ou pour une personne se trouvant à proximité.



WARNING: Lisez les messages d'avertissement qui suivent avant d'installer le support sur pied et l'unité Coloreel.

- Ce produit ne doit être installé que par des techniciens de service qualifiés.
- Plusieurs pièces de ce produit sont grandes ou lourdes, et certaines étapes de l'installation de ce produit nécessitent au moins trois techniciens de service qualifiés. Ce produit doit être installé par un minimum de trois techniciens de service formés.
- L'installation et le fonctionnement sûrs de ce produit exigent que chaque étape de l'installation de ce produit soit effectuée de la manière indiquée dans ce manuel d'installation.

NOTICE NOTICE: Toutes les indications du présent manuel d'instructions - telles que « gauche », « droite », « avant » et « arrière » - sont fournies du point de vue d'une personne faisant face au produit tel qu'il est assemblé.

18 Liste des pièces

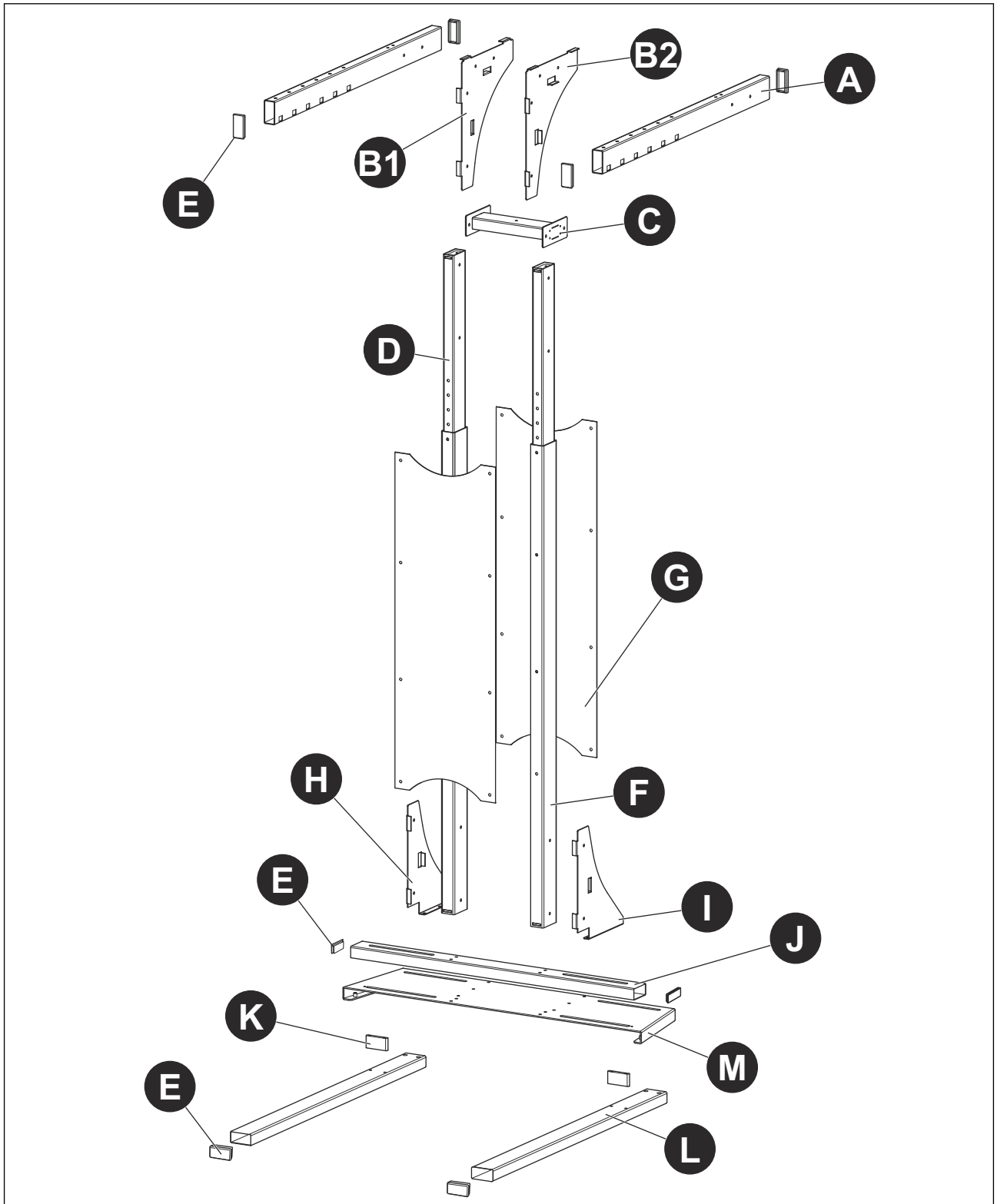
18.1 Introduction

Votre Coloreel® Instant Thread Color Unit - ou ITCU - est fourni avec les pièces et le matériel illustrés et énumérés ci-dessous.



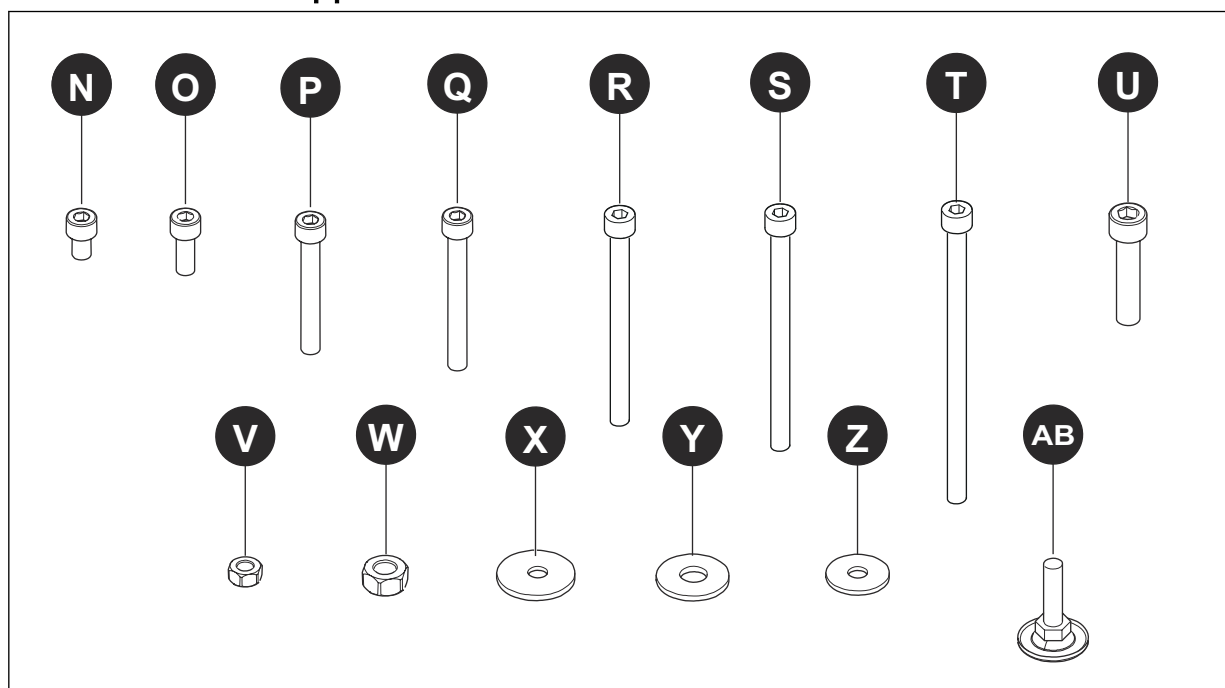
WARNING: Chaque pièce et élément de quincaillerie illustré et énuméré ci-dessous est nécessaire pour une installation et un fonctionnement sûrs et adéquats du Produit. Le fait de ne pas installer correctement une pièce ou un élément de quincaillerie lors de l'installation du produit peut entraîner la mort ou des blessures graves pour vous, l'utilisateur de ce produit ou une personne se trouvant à proximité. Si vous pensez qu'une pièce ou un élément matériel est manquant ou endommagé, contactez l'assistance Coloreel à l'adresse <https://www.coloreel.com/support> avant de commencer l'installation de ce produit.

18.2 Pièces détachées pour pieds de sol



Référence	Quantité	Nom
A	2	Poutre supérieure
B1	1	Plaque de support supérieure gauche
B2	1	Plaque de support supérieure droite
C	1	Support intermédiaire
D	2	Poutre de réglage de la hauteur
E	8	Couvercles d'extrémité
F	2	Poutre inférieure
G	2	Couverture de la feuille
H	1	Plaque de support inférieure gauche
I	1	Plaque de support inférieure droite
J	1	Poutre de base
K	2	Plaque d'écrou
L	2	Poutre de plancher
M	1	Plaque de base

18.3 Matériel de support au sol



Référence	Quantité	Nom
N	2	Boulon, M6x12
O	18	Boulon, M8x20
P	4	Boulon, M8x55
Q	8	Boulon, M8x60
R	4	Boulon, M8x65

Référence	Quantité	Nom
S	4	Boulon, M8x100
T	8	Boulon, M8x110
U	4	Boulon, M10x80 FT
V	26	Écrou, M8
W	4	Écrou, M10
X	8	Rondelle, 8,4 x 24 x 2
Y	4	Rondelle, 10,5 x 20 x 2
Z	60	Rondelle, 8,4 x 16 x 1,6
AB	8	Pieds réglables

19 Assemblage des pièces

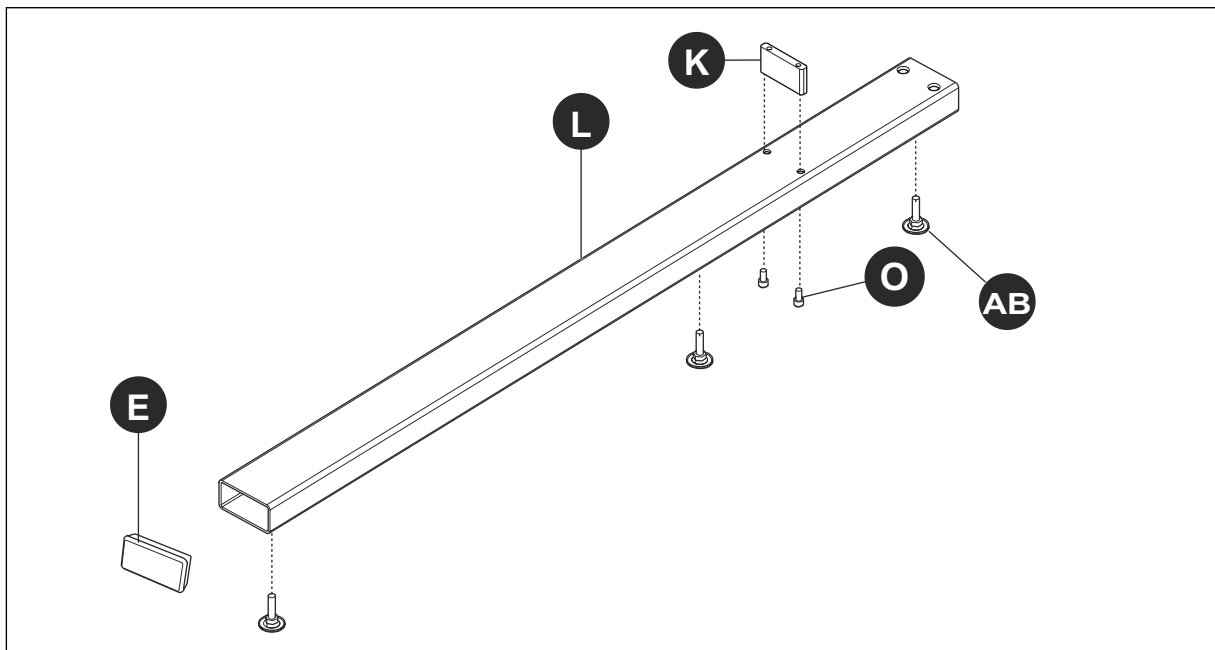
19.1 Introduction

NOTICE NOTICE: L'installation correcte du site ITCU nécessite :

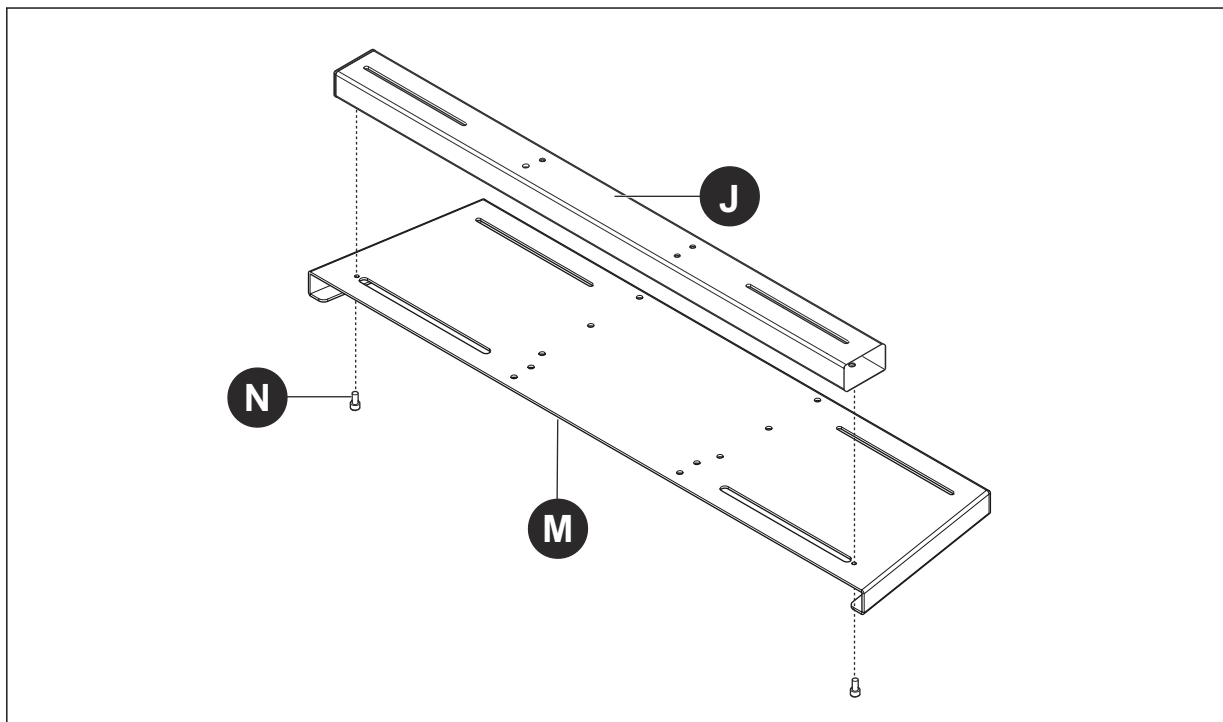
- Le ITCU doit être installé dans un endroit où il y a une distance minimale de 8 ½ pieds entre le plancher et le plafond, ou entre le plancher et tout objet situé sous le plafond qui se trouve dans un rayon de 12 pouces du haut du support de plancher de l'appareil tel qu'assemblé ; et
- Le site ITCU doit être installé au niveau du plan horizontal, et ne peut être installé ou utilisé à un angle supérieur à 3° du plan horizontal ; et
- La distance entre l'alimentateur de sortie de ITCU et l'aiguille à broder doit être aussi courte que possible pour une meilleure précision des couleurs, et la distance entre le port de l'alimentateur de sortie et l'aiguille à broder ne doit pas dépasser 36 pouces ; et
- Le site ITCU doit être installé de manière à ce que l'angle de l'orifice d'alimentation de sortie de l'unité par rapport à l'aiguille à broder ne dépasse pas 10° par rapport au plan vertical.

19.2 Montage du support au sol

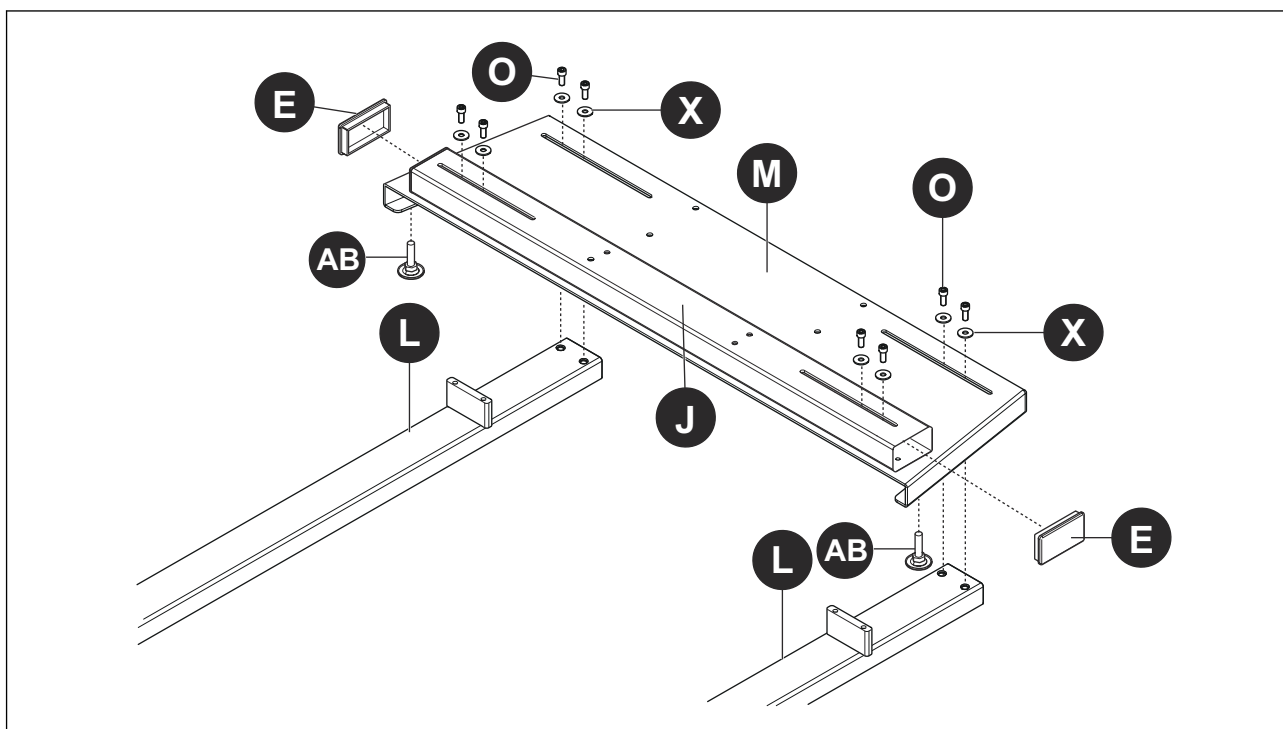
1. Installez les pieds réglables (AB) sur chaque poutre de plancher (L). Ne serrez pas les pieds réglables (AB) à cette étape. Fixer les plaques d'écrou (K) à chaque poutre de plancher (L) avec 2 boulons (O) ; serrer les boulons (O). Installez les couvercles d'extrémité (E) à chaque extrémité de chaque poutre de plancher (L).



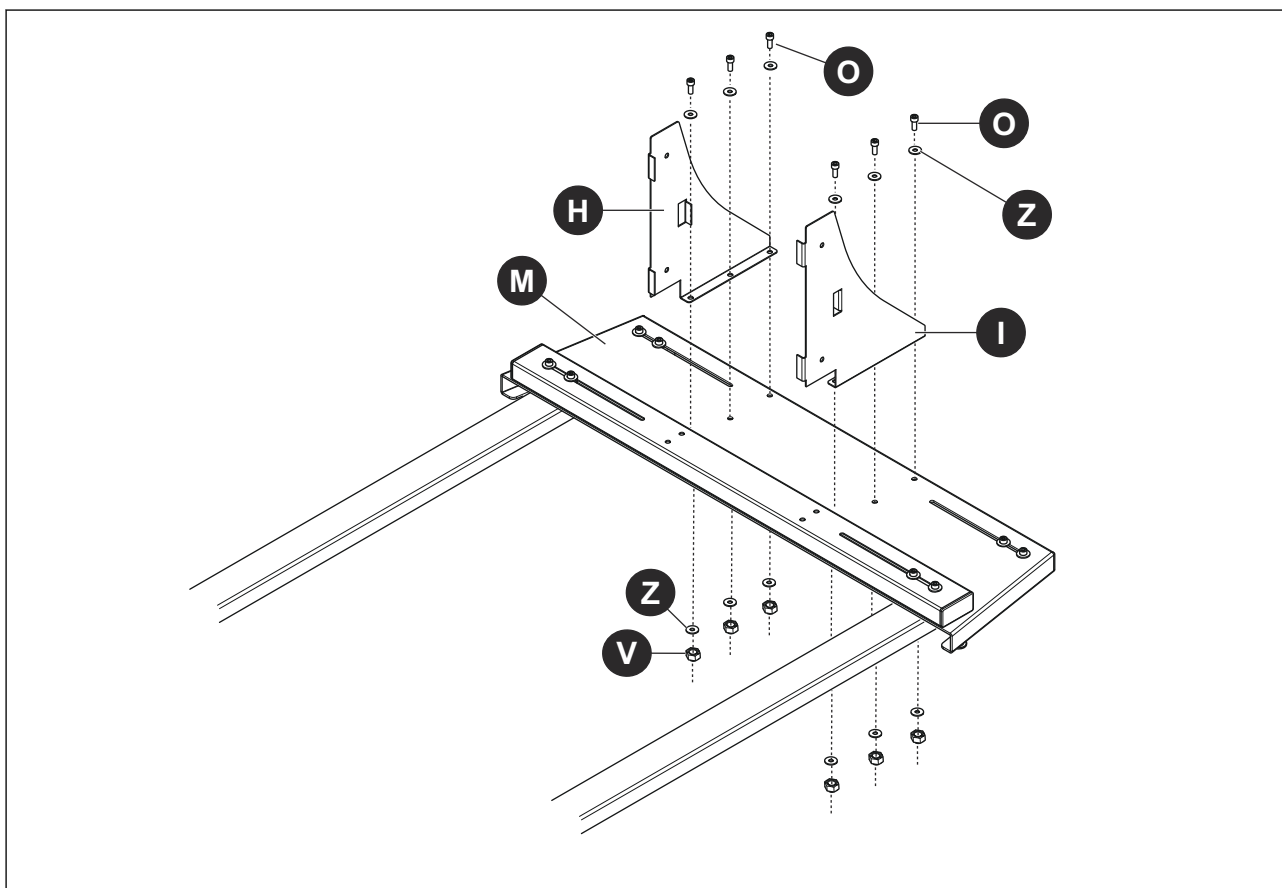
2. Fixer la poutre de base (J) à la plaque de base (M) avec 2 (N) ; serrer les boulons (N).



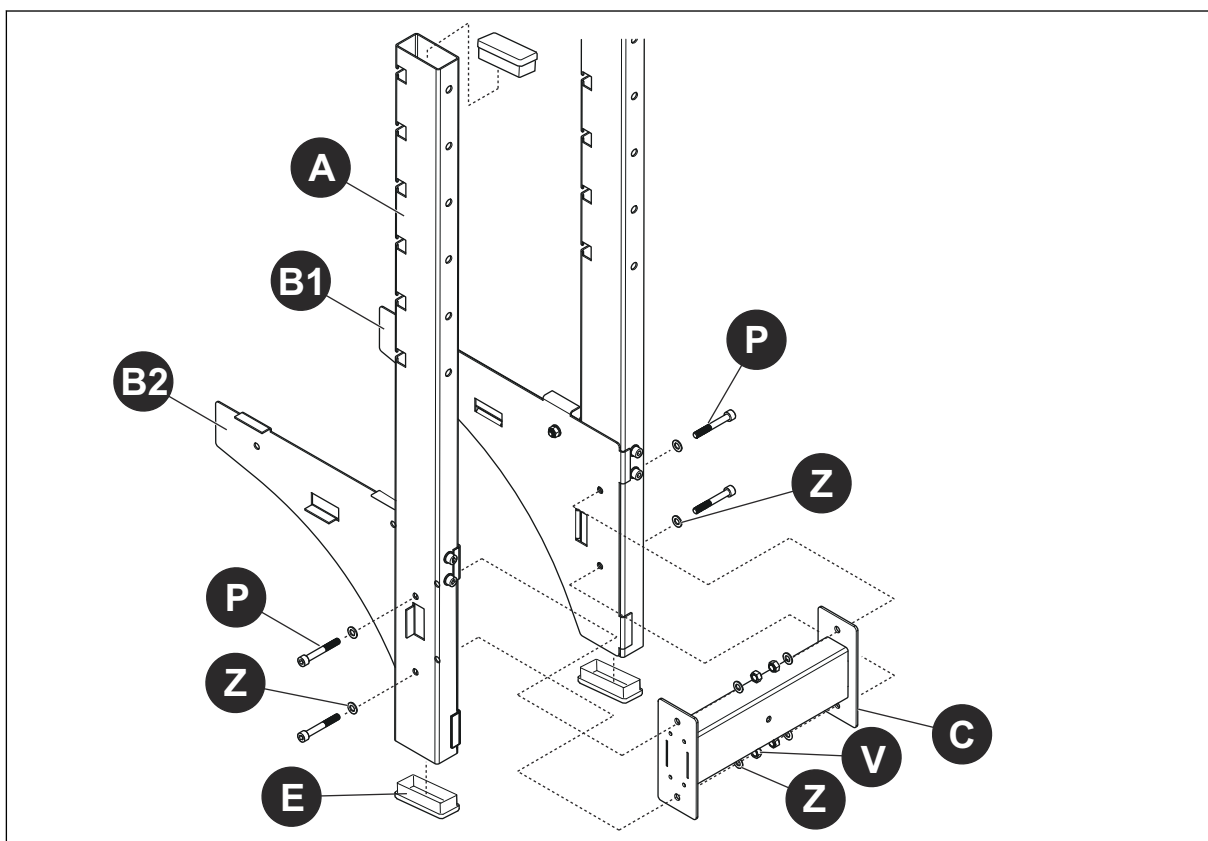
3. Fixez les pieds réglables (AB) à la plaque de base (M). Ne serrez pas les pieds réglables à cette étape. Fixez la plaque de base (M) à chaque poutre de plancher (L) avec 4 boulons (O) et 4 rondelles (X) par poutre de plancher ; serrez tous les boulons (O). Installez les couvercles d'extrémité (E) à chaque extrémité de la poutre de base (J).



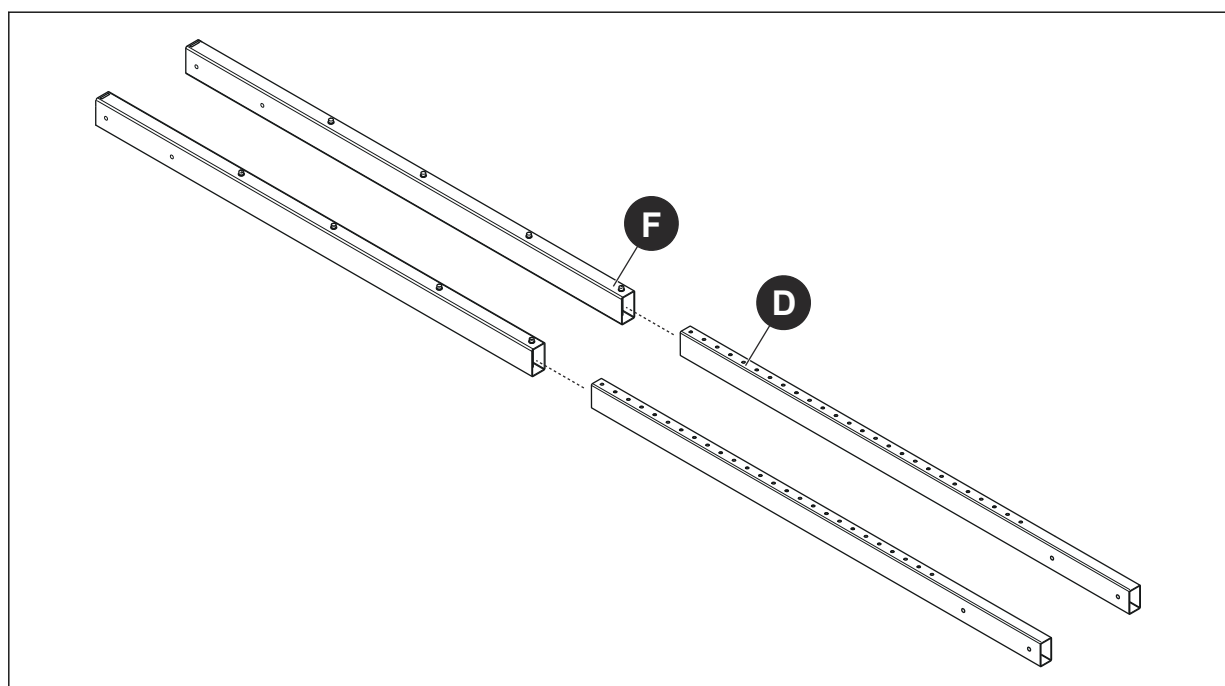
4. Fixer la plaque de support inférieure gauche (H) au sommet de la plaque de base (M) avec 3 boulons (O) et 3 rondelles (Z). Fixer la plaque de support inférieure droite (I) à la plaque de base (M) avec 3 boulons (O) et 3 rondelles (Z). Sous la plaque de base (M), installer 3 écrous (V) et 3 rondelles (Z) par plaque de support inférieure (H, I). Serrez tous les boulons (O) et les écrous (V).



5. **NOTICE** **NOTICE:** L'avant de chaque poutre supérieure (A) comporte six fentes s'étendant sur le côté inférieur de la poutre ; l'arrière de chaque poutre supérieure (A) comporte deux trous s'étendant sur les côtés de la poutre. Six brides partent de la face extérieure de chaque plaque de support supérieure (B). Le haut de chaque plaque de support supérieure (B) est plus long que le bas de la plaque. L'avant de chaque plaque de support supérieure (B) est droit, et l'arrière de chaque plaque est conique.
 - a. Placer l'arrière d'une poutre supérieure (A) contre la face extérieure d'une plaque de support supérieure (B). Relier sans serrer l'arrière de la poutre supérieure (A) à la plaque de support supérieure (B) en insérant le boulon (P) et la rondelle (Z) dans chaque trou de la face extérieure de la poutre supérieure (A) et dans la face intérieure de la plaque de support supérieure (B).
 - b. Montez le support central (C) sur les 2 boulons (P) qui sortent de la face intérieure de la plaque de support supérieure (B) ; installez les rondelles (Z) et les écrous sur chaque boulon (P) et serrez.
 - c. Placez l'arrière de la deuxième poutre supérieure (A) contre la face extérieure de la deuxième plaque de support supérieure (B). Relier sans serrer l'arrière de la poutre supérieure (A) à la plaque de support supérieure (B) en insérant le boulon (P) et la rondelle (Z) dans chaque trou de la face extérieure de la poutre supérieure (A) et à travers la face intérieure de la plaque de support supérieure (B).
 - d. Montez le support central (C) sur les 2 boulons (P) qui sortent de la face intérieure de la deuxième plaque de support supérieure (B) ; installez les rondelles (Z) et les écrous sur chaque boulon (P) et serrez.



6. Insérez les poutres de réglage de la hauteur (D) dans les poutres inférieures (F). Positionnez chaque poutre de réglage de la hauteur (D) dans la poutre inférieure (F) de façon à ce que, lorsque le site ITCU est installé sur les plaques de support supérieures (A), la distance entre l'alimentateur de sortie du site ITCU et l'aiguille à broder ne dépasse pas 36 pouces. Assurez-vous que les trous de chaque poutre de réglage de la hauteur (D) sont alignés avec les 4 trous de chaque côté de la poutre inférieure (F) dans laquelle elle est insérée.



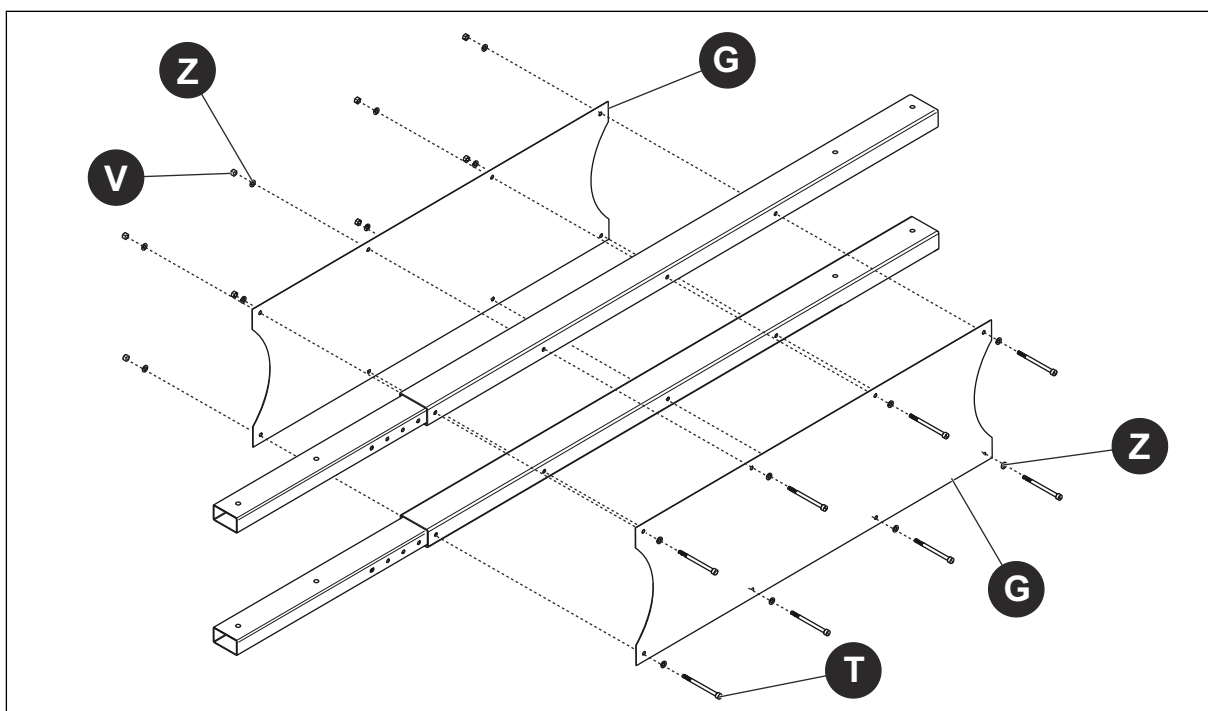
NOTICE NOTICE: Lorsque le site ITCU est monté sur les plaques de support supérieures (A), l'alimentateur de sortie sera situé à environ 36 pouces du bas des plaques de support.

7.

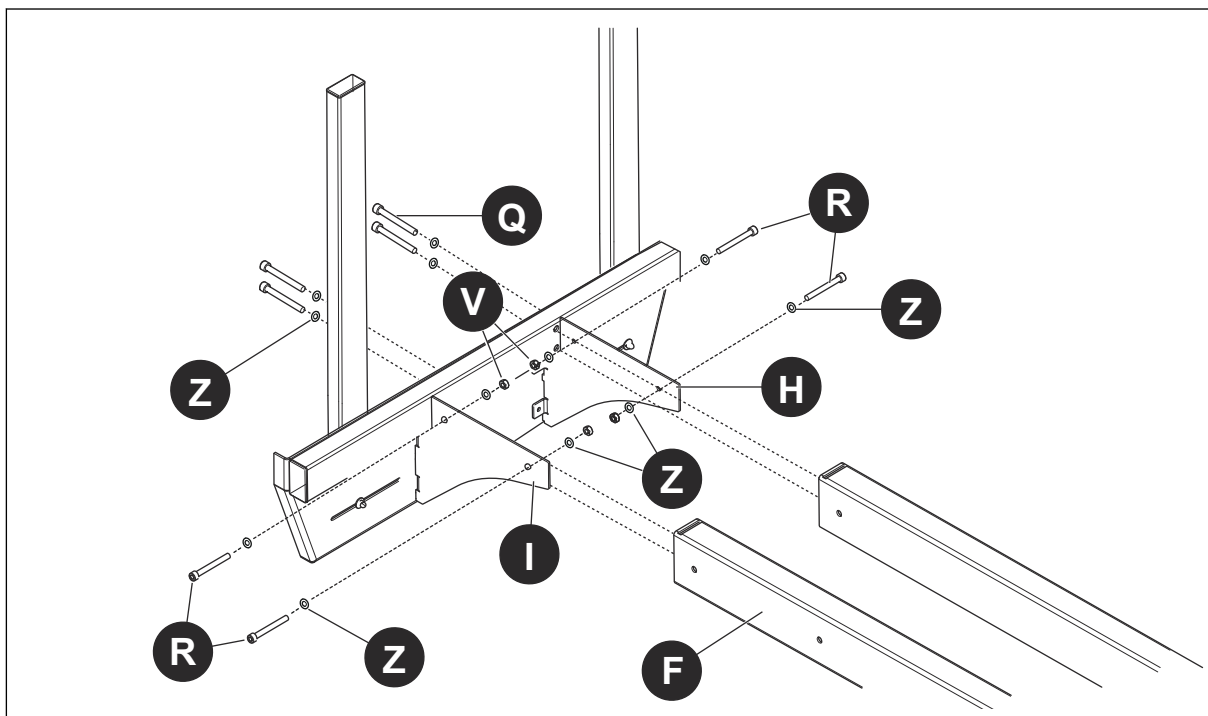


CAUTION: La fixation en toute sécurité des couvercles de tôle (G) aux poutres inférieures (F) et aux poutres de réglage de la hauteur (D) qui y sont insérées nécessite au moins deux techniciens de service qualifiés en raison de la taille et du poids de l'ensemble. Si vous tentez de fixer les couvercles de tôle (G) aux poutres inférieures (F) sans faire appel à au moins deux techniciens de service qualifiés, vous risquez de subir des blessures légères ou modérées.

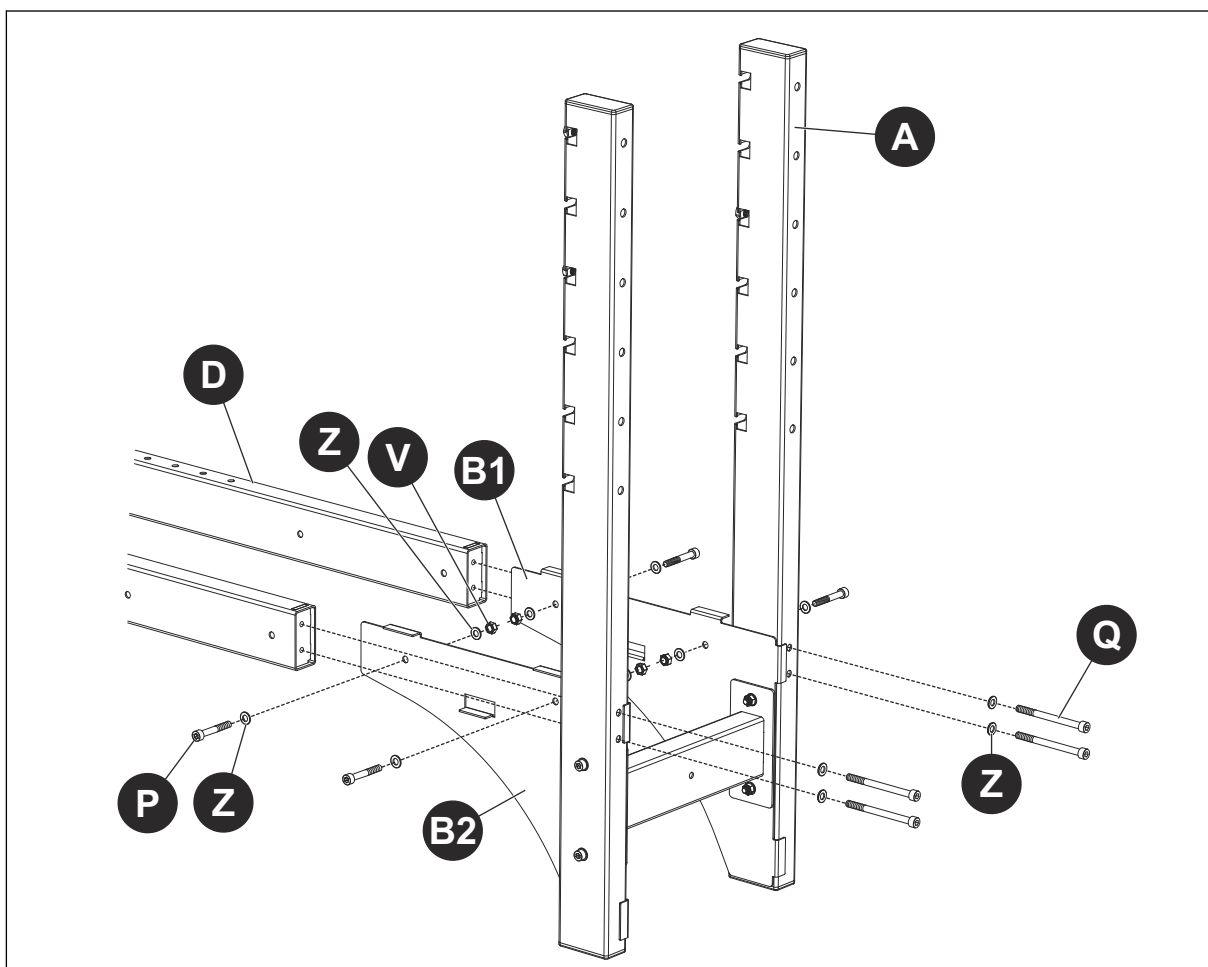
- a. Alignez chacun des 4 trous situés le long d'un bord de la housse (G) avec chacun des 4 trous situés sur le côté de la poutre inférieure (F) et de la poutre de réglage de la hauteur (D) qui y est insérée. Insérez le boulon (T) avec la rondelle (Z) dans chaque trou du couvercle de la feuille (G) et dans chaque trou de la poutre inférieure (F).
- b. Alignez chacun des 4 trous le long d'un bord de la deuxième bâche (G) avec chacun des 4 boulons (T) traversant la poutre inférieure (F). Insérez chaque boulon (T) dans le trou correspondant du deuxième couvre-feuilles (G) et fixez-les avec une rondelle (Z) et un écrou (V).
- c. Alignez chacun des 4 trous de la deuxième poutre inférieure (F) avec chacun des 4 trous sur les bords opposés de chaque couverture de feuille (G). Insérez le boulon (T) avec la rondelle (Z) dans chaque trou du premier couvre-feuilles (G), puis à travers la poutre inférieure (F) et le deuxième couvre-feuilles (G). Fixez chacun d'eux avec la rondelle (Z) et l'écrou (V). Serrez tous les écrous (V).



8.
 - a. Insérer le bas des poutres inférieures (F) entre les faces intérieures des plaques de support inférieures (H, I) et contre le haut de la plaque frontale (M). Aligner les trous des poutres inférieures (F) avec les trous des plaques de support inférieures (H, I), et insérer les boulons (R) avec les rondelles (Z) à travers chaque trou des plaques de support inférieures (H, I) et des poutres inférieures (F) ; les fixer sans serrer avec la rondelle (Z) et l'écrou (V).
 - b. Insérez les boulons (Q) avec les rondelles (Z) dans chacun des 4 trous de la face inférieure de la plaque frontale (M) et dans le bas des poutres inférieures (F).
 - c. Serrez les 4 écrous (V) et les 4 boulons (Q).



- 9.
- a. Faites glisser les plaques de support supérieures avec les poutres supérieures fixées (A) sur les poutres de réglage de la hauteur (D). Alignez chaque trou des côtés des poutres supérieures (A) avec chaque trou des côtés des plaques de support supérieures (B).
 - b. Insérer les boulons (R) avec les rondelles (Z) dans chaque trou sur les côtés des poutres supérieures et des plaques de support supérieures. Fixez sans serrer avec la rondelle (Z) et l'écrou (V).
 - c. Insérez les boulons (S) avec les rondelles (Z) dans les trous du haut des poutres supérieures (A) et vissez les boulons dans les poutres de réglage de la hauteur (D).
 - d. Serrez les 4 écrous (V) et les 4 boulons (S).



WARNING: Le levage et le redressement en toute sécurité du pied de sol entièrement assemblé nécessitent au moins deux personnes en raison de la taille et du poids du pied de sol. Si vous tentez de soulever et de redresser le pied de sol entièrement assemblé sans l'aide d'au moins deux personnes, vous risquez de vous blesser gravement ou de blesser une personne se trouvant à proximité.

10. Mettez le support au sol entièrement assemblé à la verticale. Assurez-vous que tous les boulons et écrous installés sont bien serrés. En utilisant un niveau sur les faces supérieures des poutres supérieures (A) et du support central (C), réglez les pieds réglables (AB) de façon à ce que le support de sol soit de niveau de l'avant à l'arrière et de gauche à droite.

NOTICE NOTICE: Lorsqu'il est entièrement assemblé et en position verticale :

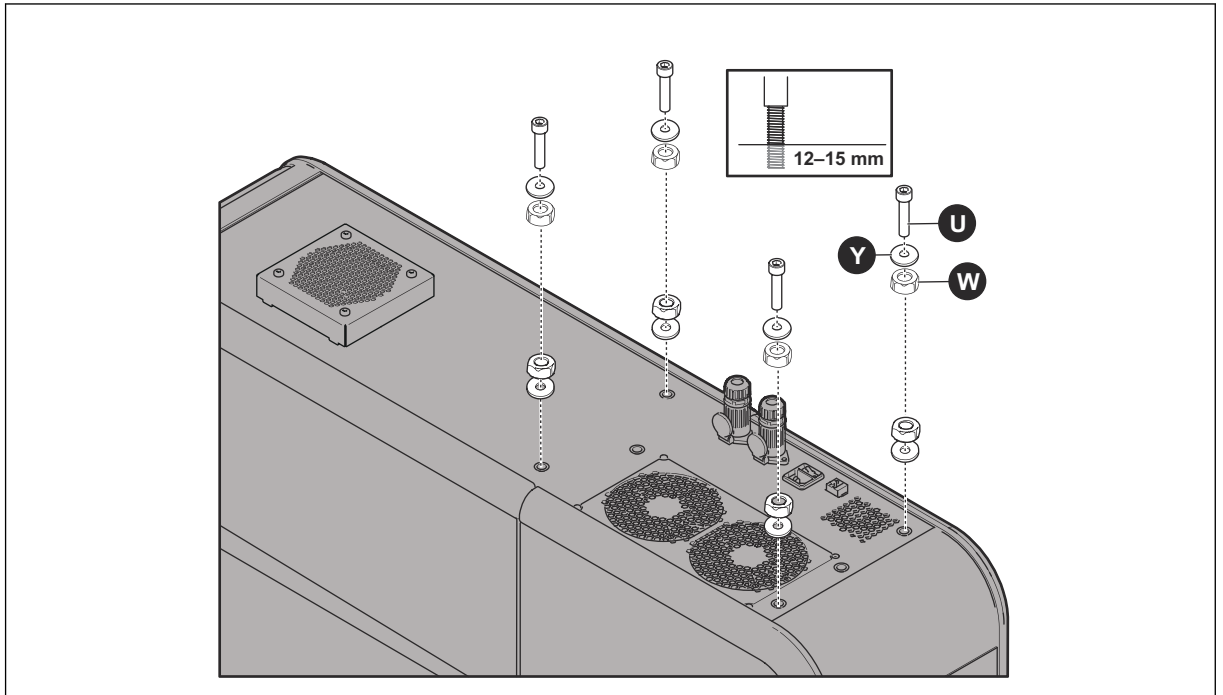
- Le haut du support au sol doit être au moins 12 pouces en dessous du plafond ou de tout objet suspendu en dessous du plafond et dans un rayon de 12 pouces de l'endroit où le ITCU doit être installé et utilisé ; et
- Le support au sol ne peut être installé ou utilisé à un angle supérieur à 3° par rapport au plan horizontal.
- Le support au sol doit être placé à l'intérieur et à proximité d'une prise électrique facilement accessible afin que le ITCU puisse être directement branché sur cette prise.

19.3 ITCU fixation au support de sol



WARNING: Les câbles de ce produit peuvent être sous tension. L'exposition à une tension électrique peut provoquer une décharge électrique. Ne branchez pas ce produit lorsque vous le fixez au support de sol. Le fait de brancher le produit tout en le fixant au support de sol peut entraîner des blessures graves ou mortelles pour vous ou une personne se trouvant à proximité.

1. Installez les boulons (U), les rondelles (Y) et l'écrou (W) sur la plaque du cadre de l'ITCU, en haut de l'unité. Serrez les boulons (U) de ½ pouce dans la plaque du cadre.

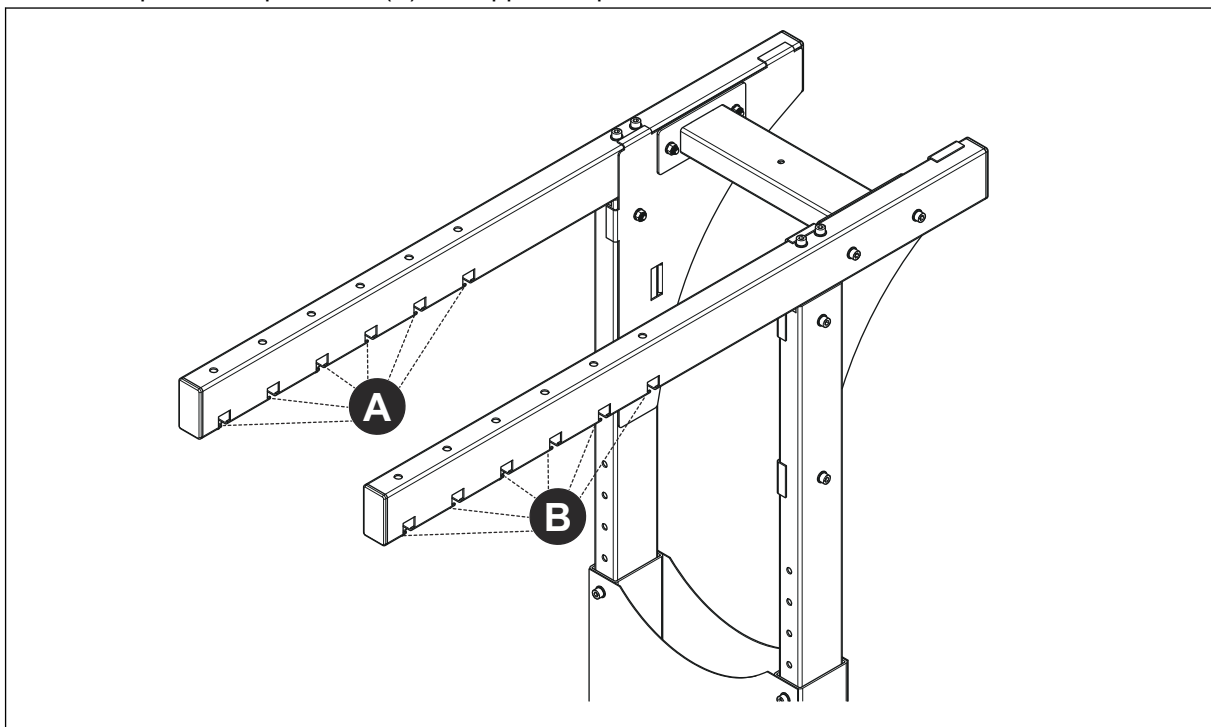


2. Retirez les portes détachables de ITCU.

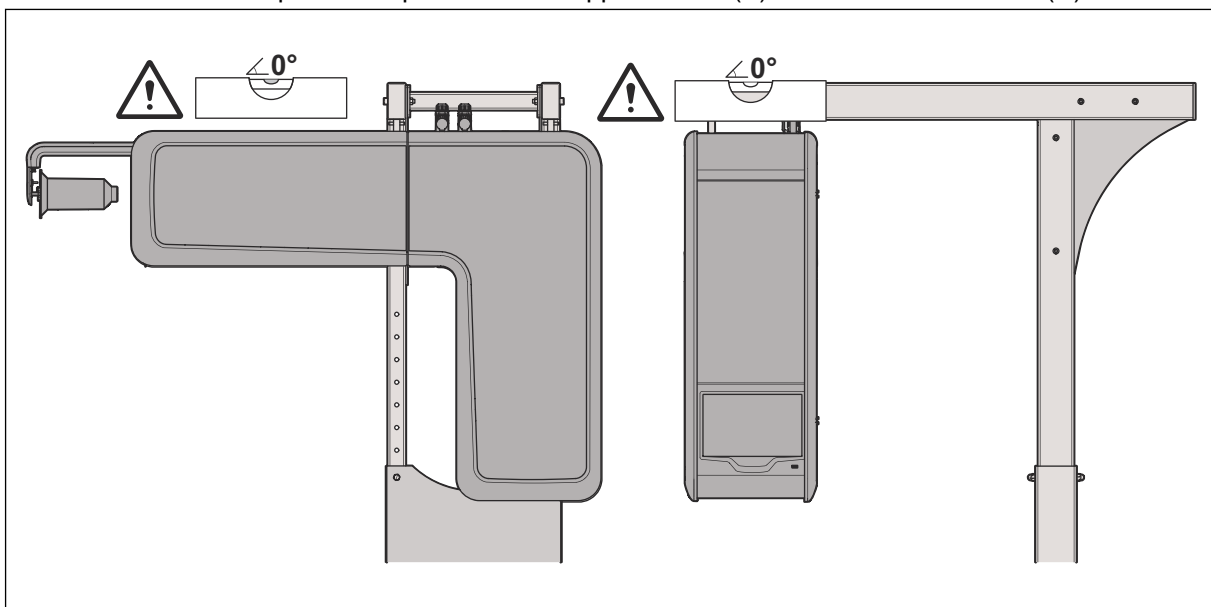


WARNING: La fixation sûre du ITCU support au sol nécessite au moins 2 personnes en raison de la taille et du poids de l'appareil. Si vous essayez de fixer le site ITCU au support au sol sans l'aide d'au moins deux personnes, vous risquez de vous blesser gravement ou de blesser une personne se trouvant à proximité.

3. Soulevez ITCU et alignez les têtes des boulons installés (U) à gauche des fentes situées à l'avant des poutres supérieures (A) du support de plancher.



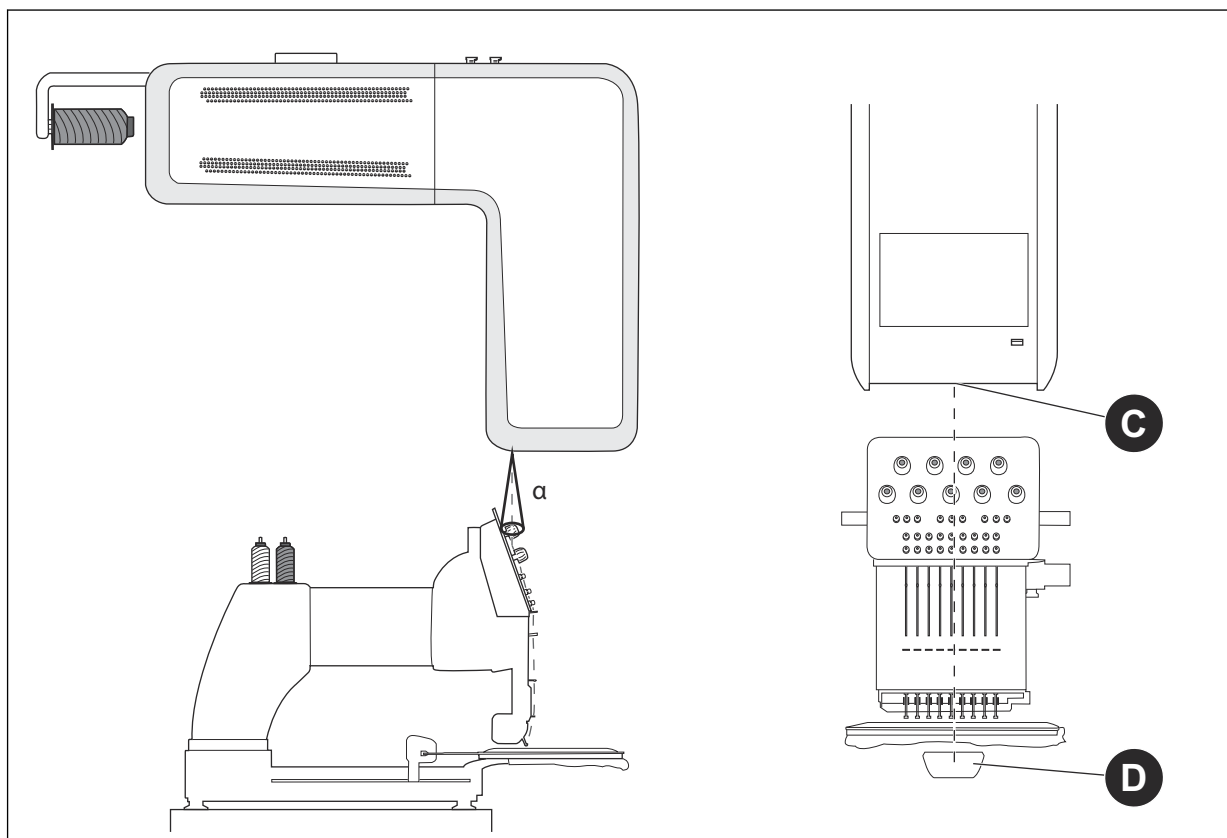
4. Faites glisser ITCU vers la droite jusqu'à ce que les têtes des boulons installés (U) soient complètement insérées dans les fentes des poutres supérieures du support de plancher (A).
5. En utilisant un niveau sur le dessus de ITCU, ajustez (W) et les boulons (U) installés dans la plaque du cadre de l'unité afin que l'unité soit de niveau de l'avant à l'arrière et de gauche à droite. Fixez ITCU aux poutres supérieures du support au sol (A) en serrant les boulons (U).



NOTICE NOTICE: Le site ITCU ne peut être installé ou utilisé à un angle supérieur à 3° par rapport au plan horizontal. Le site ITCU ne peut être installé ou utilisé lorsque ses ouvertures de ventilation sont limitées par un objet situé à moins de 6 pouces des ouvertures de ventilation.

6. Réinstallez les portes amovibles sur ITCU, et installez la bobine de fil sur l'unité.

7. Placez la machine à broder sous l'assemblage, en position verticale ITCU. La machine à broder doit être positionnée de façon à ce que le port d'alimentation de sortie de ITCU soit aligné verticalement (voir (C) et (D) ci-dessous) avec l'entrée de fil de la machine à broder et le centre du bras de fil inférieur de la machine à broder.

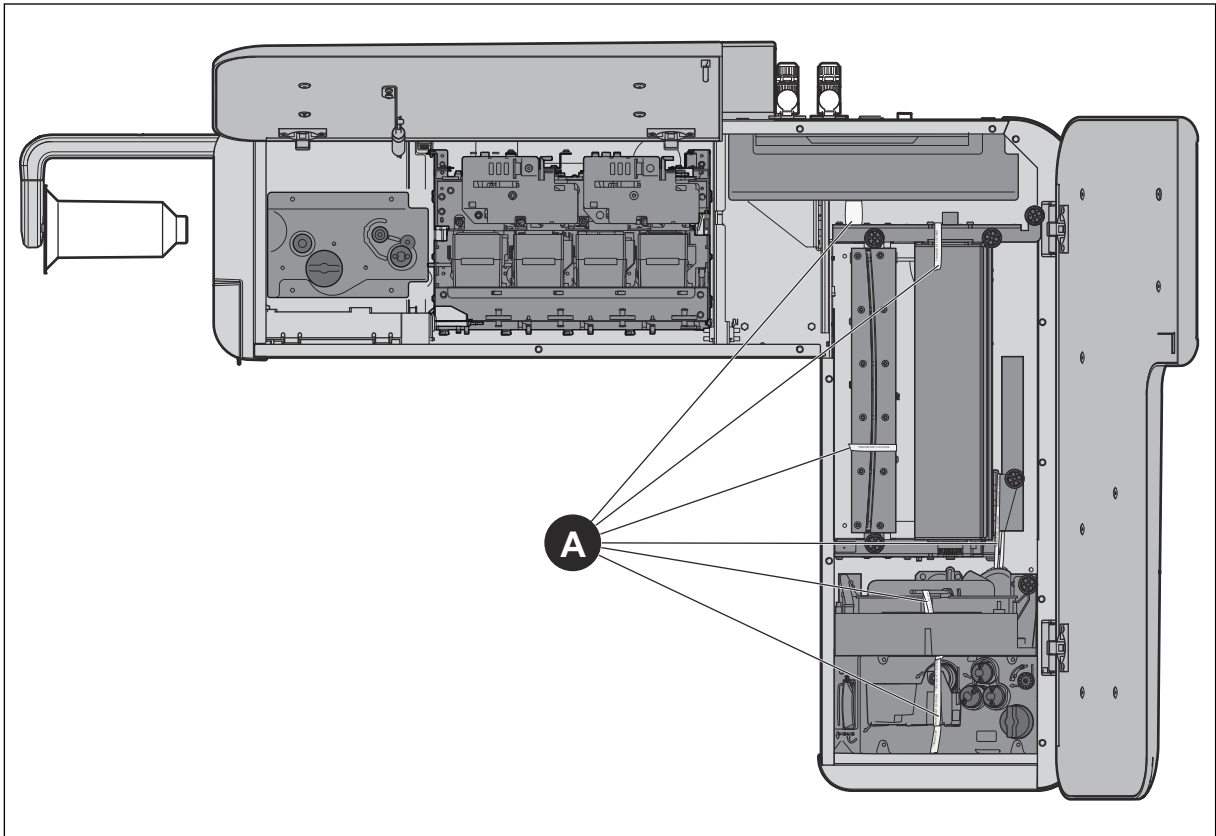


NOTICE NOTICE: L'angle vertical entre le port de l'alimentateur de sortie de ITCU et l'entrée du fil de la machine à broder ne peut pas dépasser 10°. La distance entre l'alimentateur de sortie de l'unité et l'aiguille à broder doit être aussi courte que possible pour une meilleure précision des couleurs, et ne doit pas dépasser 36 pouces.

19.4 Verrous de transport

Ouvrez la porte avant de ITCU et retirez soigneusement les 6 verrous de transport. Après avoir retiré les 6 verrous de transport, fermez solidement la porte avant du site ITCU.

NOTICE NOTICE: Avant d'installer le site ITCU sur un réseau ou de tenter de faire fonctionner l'unité, tous les verrous de transport doivent être retirés ; le non-respect de cette consigne entraînera l'endommagement de ce produit.



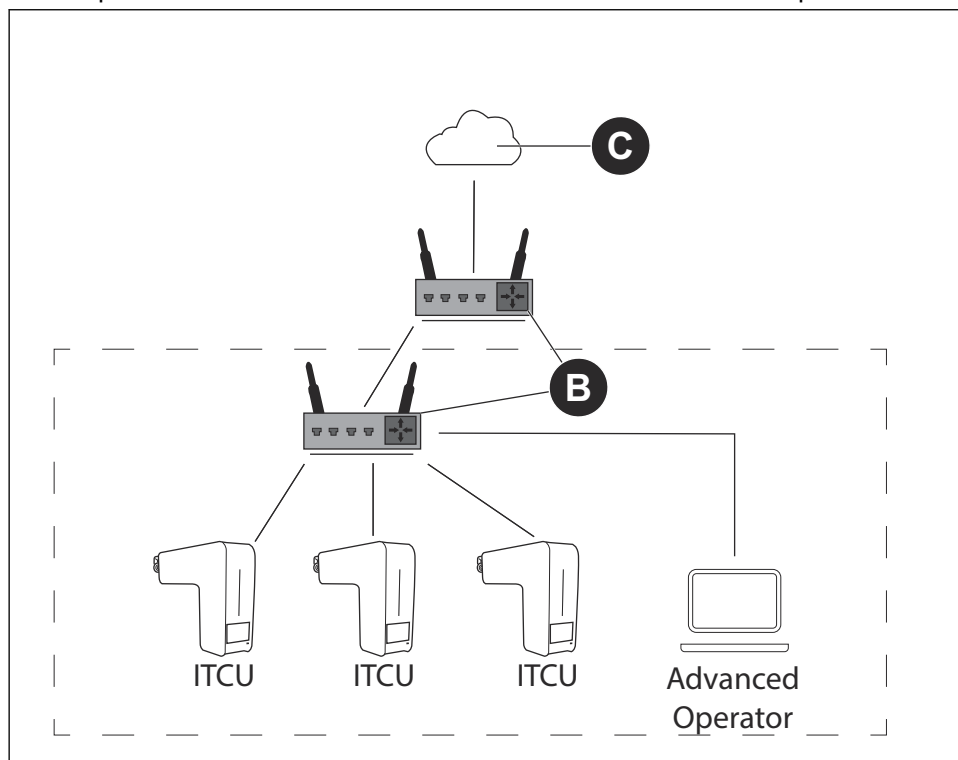
20 Configuration du réseau

20.1 Introduction

Pour utiliser l'ITCU, vous devez la relier à un réseau. Nous vous recommandons d'installer l'appareil sur un réseau connecté à Internet pour vous assurer que vous pouvez accéder aux dernières mises à jour du logiciel. Si cela n'est pas possible, vous pouvez connecter l'ITCU à un réseau local.

20.2 Pour connecter une ITCU Coloreel à un réseau

Assurez-vous d'avoir un routeur, un accès à Internet et un ordinateur pour accéder au site ITCU. Le site ITCU disposera d'un réseau distinct à l'intérieur du réseau de l'entreprise.



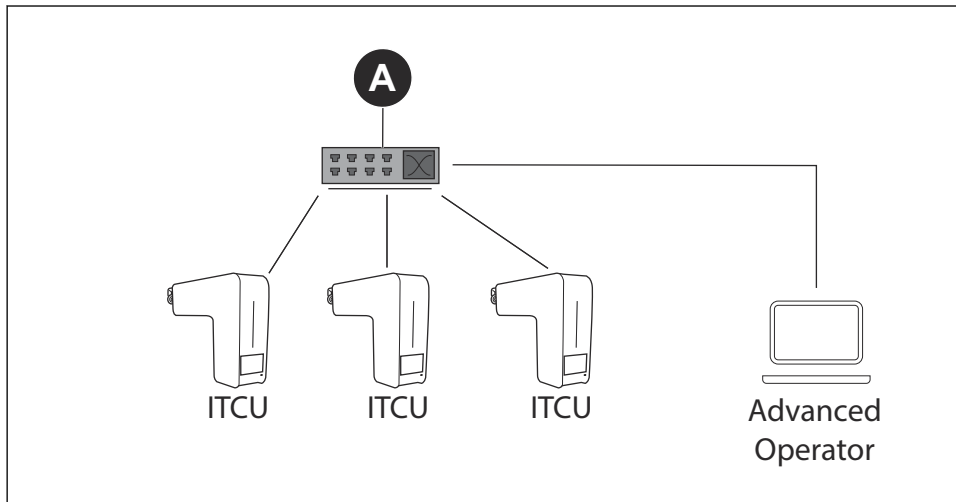
1. Connectez l'ITCU au routeur (B). Connectez le câble Ethernet à un connecteur privé.

NOTICE **NOTICE:** Si votre site de production dispose d'un réseau fermé pour la production, utilisez le connecteur public qui est connecté à l'Internet pour une mise à jour du logiciel.

2. Connectez l'ordinateur au réseau avec accès Internet (C).
3. Identifiez l'adresse IP de ITCU.
4. Connectez-vous à l'adresse ITCU. Reportez-vous au *manuel complet de l'opérateur*.

20.3 Connecter une ITCU Coloreel à un réseau local

Assurez-vous d'avoir un commutateur/routeur (A) et un ordinateur pour accéder au site ITCU.



1. Branchez l'ITCU au commutateur/routeur (A). Connectez le câble Ethernet à un connecteur privé.

NOTICE **NOTICE:** Si votre site de production dispose d'un réseau fermé pour la production, utilisez le connecteur public qui est connecté à l'Internet pour une mise à jour du logiciel.

2. Branchez l'ordinateur au commutateur/routeur (A).
3. Définissez une IP statique pour le site ITCU. Si vous ne savez pas comment définir une IP statique, consultez votre service informatique.
4. Connectez-vous à l'adresse ITCU. Reportez-vous au *manuel complet de l'opérateur*.

21 Amorçage ITCU

21.1 Utilisation de la fonction d'amorçage

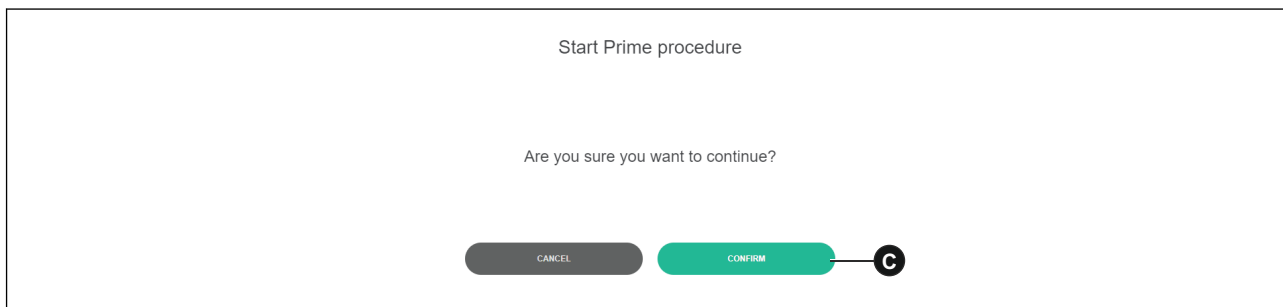
La fonction d'amorçage doit être utilisée avant d'utiliser le site ITCU pour la première fois.

L'amorçage peut être effectué par un technicien de service agréé par Coloreel, avec les identifiants de connexion du *technicien*.

1. Installez toutes les cartouches de couleur avant de démarrer le site ITCU. Reportez-vous au *manuel complet de l'opérateur*.
2. Assurez-vous que le réservoir de déchets du site ITCU est vide.
3. Dans le panneau opérateur, sélectionnez *Maintenance*.
4. Sélectionnez *Prime* (A).



5. Cliquez sur le bouton *Start prime* (B).
6. Cliquez sur le bouton *Confirmer* (C). La procédure d'apprêt commencera.



22 Auto-calibrage ITCU

22.1 Introduction

L'auto-étalonnage peut être effectué par un technicien de service agréé par Coloreel, avec des identifiants de connexion de *technicien*.



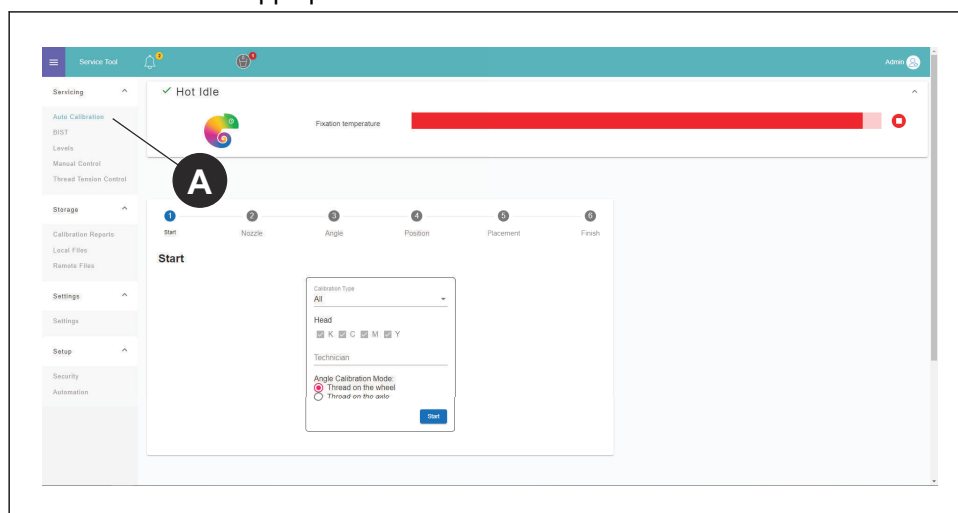
WARNING: Pour exécuter les fonctions d'auto-calibrage avec le site ITCU, il faut d'abord que l'appareil soit fileté. Avant d'essayer d'enfiler le ITCU, lisez attentivement, comprenez parfaitement et suivez chaque instruction contenue dans les sections 2 et 4 du manuel d'utilisation du ITCU. Si vous ne lisez pas attentivement, ne comprenez pas et ne suivez pas chaque instruction contenue dans les sections 2 et 4 du guide de démarrage rapide et du manuel d'utilisation complet de ITCU avant de tenter d'enfiler l'appareil, vous ou une personne se trouvant à proximité risquez de mourir ou d'être gravement blessé.

NOTICE

NOTICE: L'exécution de toute fonction d'auto-calibrage avec le site ITCU sans que l'appareil ne soit pas fileté peut entraîner des dommages à ce produit ou à d'autres biens.

22.2 Auto-Calibration

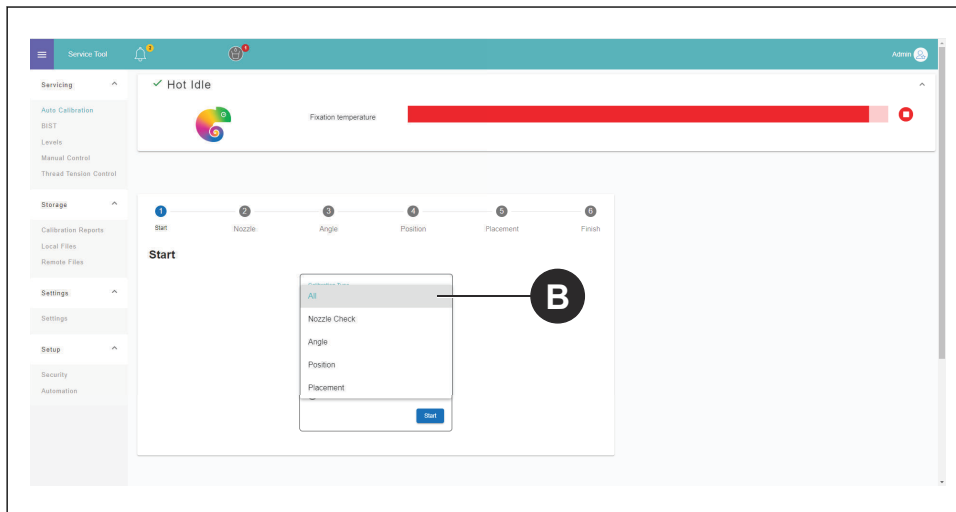
L'onglet Calibrage automatique (A) permet de calibrer les têtes d'impression du site ITCU afin que l'encre soit correctement appliquée sur le fil.



22.3 Effectuer un calibrage automatique

L'auto-calibrage peut être effectué de différentes manières. Le mode *Tous* calibrera toutes les couleurs. D'autres modes d'étalonnage permettent d'étalonner séparément les couleurs individuelles.

1. À la page Étalonnage automatique, sélectionnez le mode d'étalonnage *Tous* dans la liste déroulante (B).

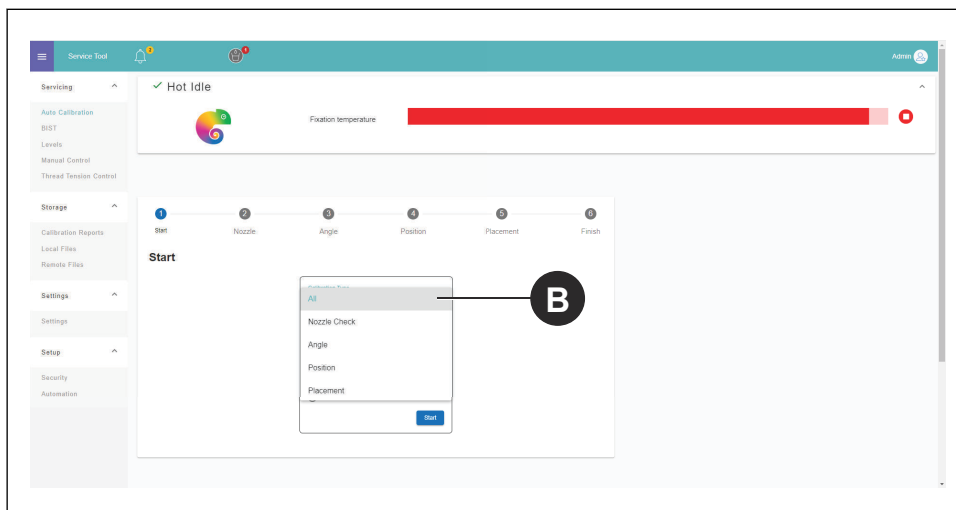


2. Appuyez sur **Start** et laissez l'auto-calibrage se terminer.

NOTICE NOTICE: Le site ITCU passe en *mode service* et se réchauffe lorsque vous lancez l'étalonnage automatique.

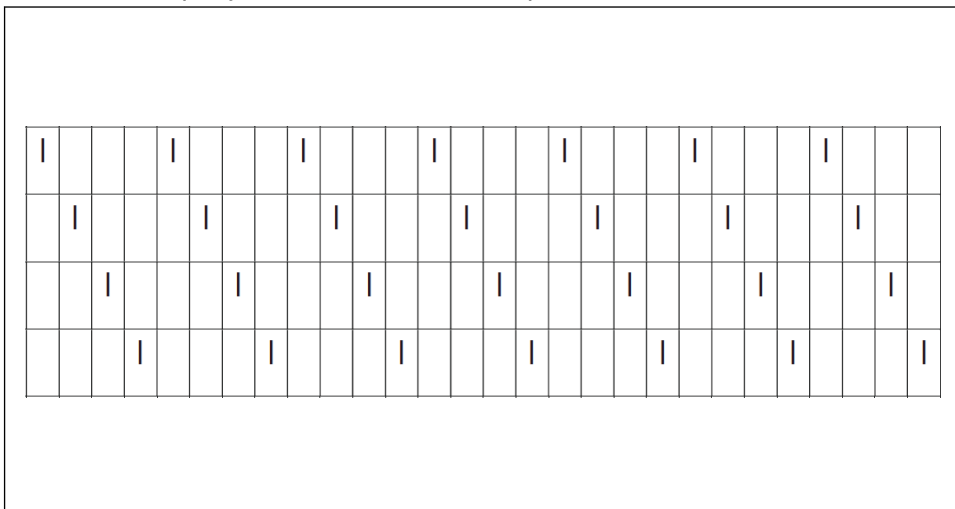
22.4 Effectuer un contrôle de la buse

1. À la page Auto-Calibration, sélectionnez *Nozzle Check (Vérification de la buse)* dans la liste déroulante (B).



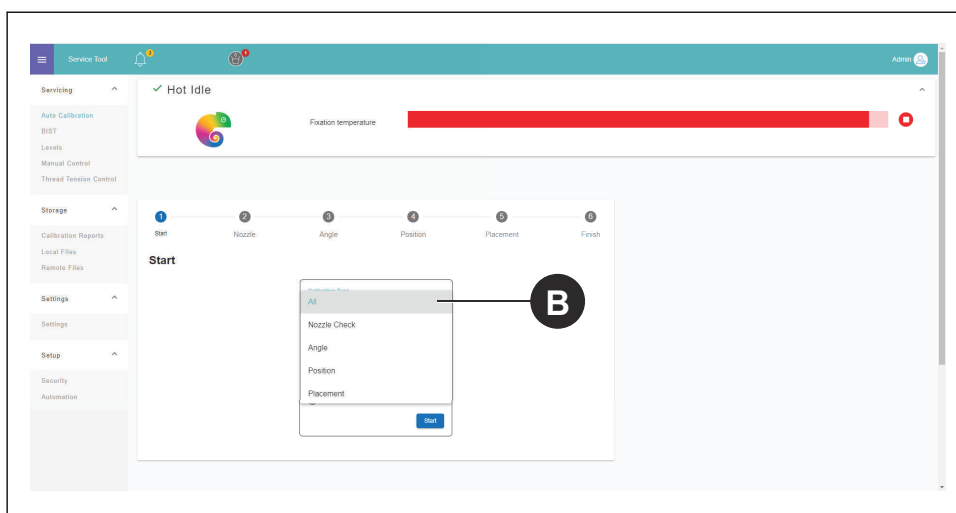
2. Appuyez sur **Start**.
3. Tenez un morceau de papier entre le fil et la tête de la buse.
4. Tirez le papier vers vous et, en même temps, tirez le fil dans le sens de l'alimentation du fil.

5. Assurez-vous qu'il y a de la couleur sur chaque section.



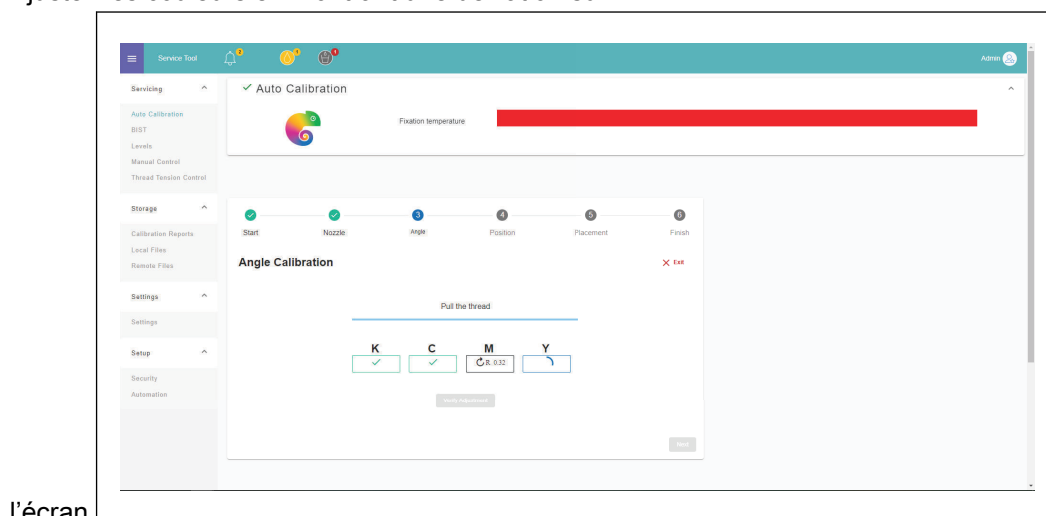
22.5 Réalisation d'un étalonnage de l'angle de la tête

1. À la page Étalonnage automatique, sélectionnez *Étalonnage de l'angle de la tête* dans la liste déroulante (B).



2. Appuyez sur **Start**.
3. Tirez le fil.

4. Ajustez les couleurs en montrant une déviation sur



NOTICE NOTICE: Pour savoir comment régler physiquement les couleurs sur le site ITCU, reportez-vous à, [22.5.1](#).

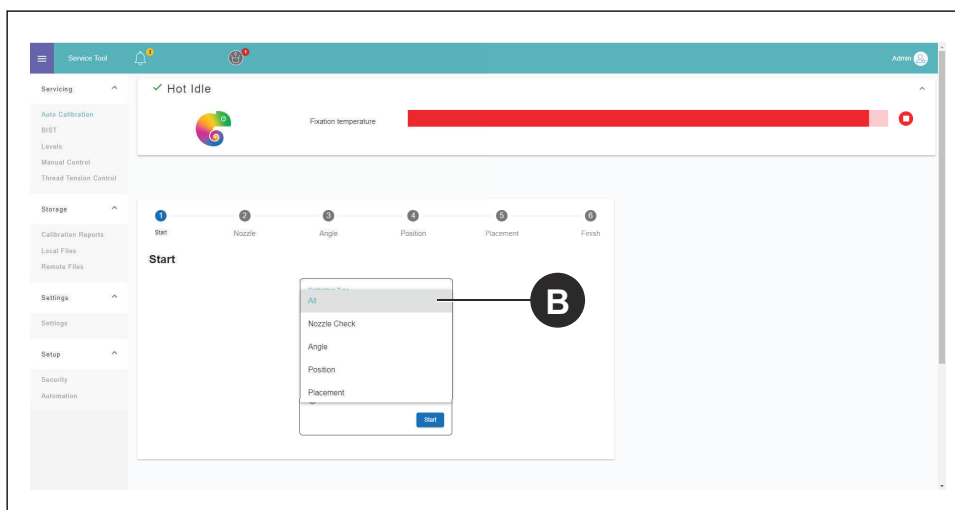
5. Tirez à nouveau sur le fil pour effectuer un étalonnage de la ou des couleurs ajustées.

22.5.1 Pour ajuster les couleurs

1. Desserrez les vis de blocage de 2,5 tours sur la tête d'impression de la couleur que vous voulez régler.
2. Réglez la vis de réglage en fonction de la valeur indiquée sur l'écran. L est dans le sens inverse des aiguilles d'une montre et R dans le sens des aiguilles d'une montre.
3. Serrez les vis de blocage avec une force de 0,35 Nm.

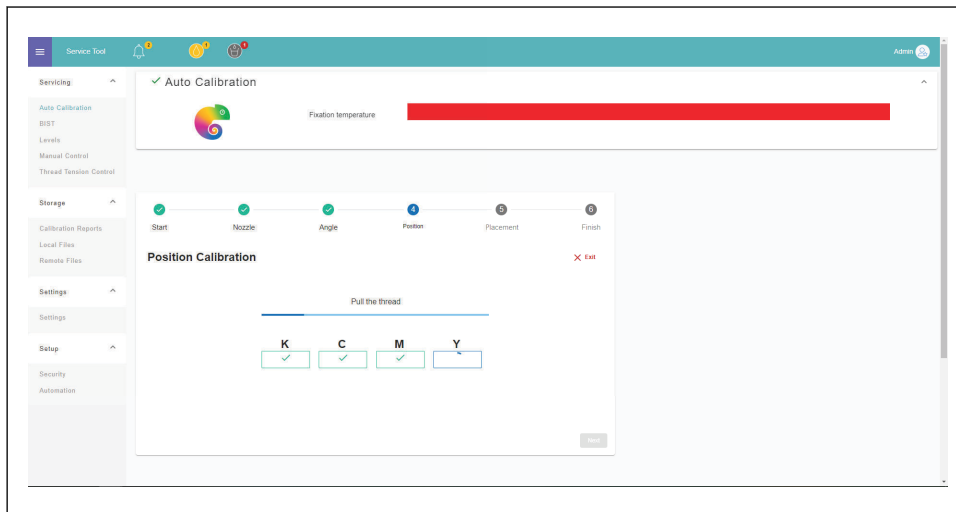
22.6 Réalisation d'un étalonnage de la position de la tête

1. À la page Étalonnage automatique, sélectionnez *Étalonnage de la position de la tête* dans la liste déroulante (B).



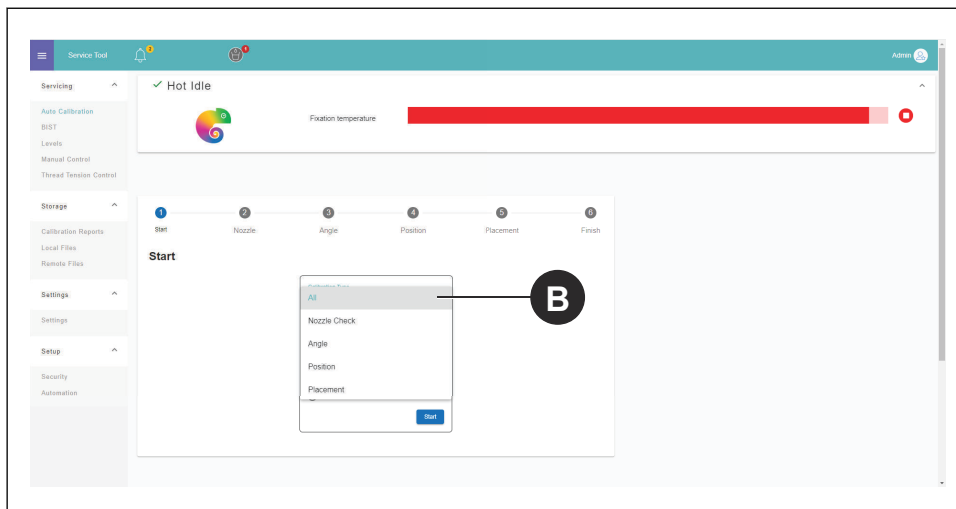
2. Appuyez sur **Start**.
3. Tirez le fil.

4. Toutes les couleurs sont calibrées en même temps et la position de chaque tête est enregistrée dans le *fichier de configuration*.



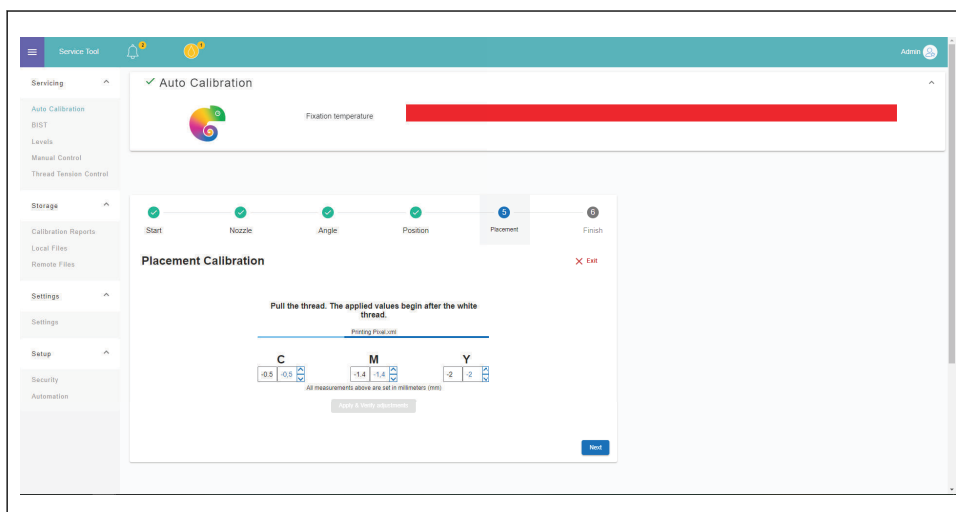
22.7 Effectuer un étalonnage du positionnement de la tête

1. À la page Étalonnage automatique, sélectionnez *Étalonnage du placement de la tête* dans la liste déroulante (B).

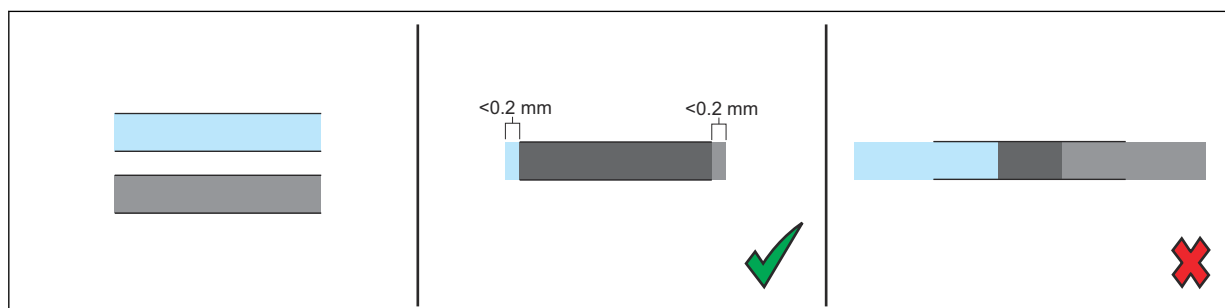


2. Appuyez sur **Start**.

3. Tirez le fil. Un motif de deux couleurs est posé sur le fil.

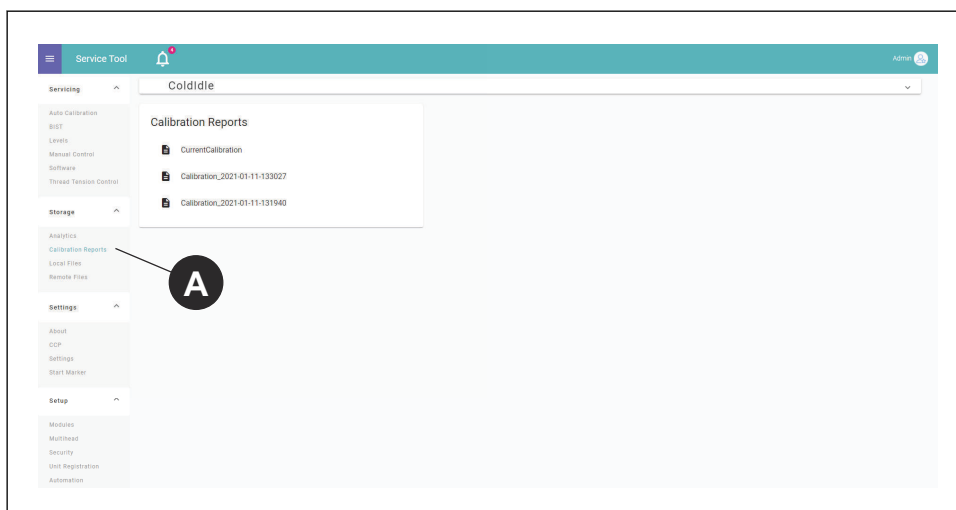


4. Assurez-vous que les couleurs sont superposées, avec un espace d'écart maximum inférieur à 0,2 mm de chaque côté.



22.8 Exécution du rapport d'étalonnage

1. Sélectionnez *Rapports d'étalonnage* (A) dans le menu de la barre latérale.



2. Cliquez sur le rapport que vous souhaitez afficher.

23 Réglages du nombre de points

23.1 Introduction

Pour améliorer la précision des changements de couleur (CCP), vous devez ajouter les informations relatives au nombre de points de la machine à broder dans les *paramètres* du site ITCU. Saisissez les informations nécessaires pour définir correctement les paramètres :

Points de saut provoquant une coupe	Nombre de points de saut consécutifs qui provoque une coupe (0-9, par défaut : 3)
Points de départ	Nombre de points d'attache intérieurs (0-10, par défaut : 4)
Points d'arrêt	Nombre de points d'attache extérieurs (0-10, par défaut : 2)
Points d'attache après rupture de fil	Nombre de points d'attache réalisés après une rupture de fil (0-10, par défaut : 0)
Longueur du point	Longueur d'un point d'attache en mm (0.1-5, par défaut : 0,5)
Supprimer les points DST sans aucune longueur (par défaut : activé)	Activé/désactivé
Capteur de points monté sur l'arbre principal	Activé/désactivé
Rotations supplémentaires de l'arbre principal lors d'une coupe	Nombre de rotations de l'arbre principal qui se produisent pendant la coupe, à l'exclusion des points d'attache (0-5, par défaut : 1)
Rotations supplémentaires de l'arbre principal lors d'un changement de couleur	Nombre de rotations de l'arbre principal qui se produisent pendant le changement de couleur, à l'exclusion des points d'attache (0-5, par défaut : 2)

23.2 Gestion des paramètres CCP

1. Sélectionnez *Réglages*.
2. Sélectionnez *Précision du changement de couleur* depuis le menu des réglages.

23.3 Alignement des paramètres de comptage de points

1. Sélectionnez *Réglages*.
2. Sélectionnez *Précision du changement de couleur* depuis le menu des réglages.

3. Ajoutez les données d'entrée dans les champs sous *Machine à broder* (A).

COLOREEL 30% 25% 20% 5% 74% 36% 26°

CCP

Active Setup

Twilly

Data Collection Method

Aggregated Sample Data

A Embroidery Machine

Jump convert
3
Number of consecutive jump stitches that causes a trim (0-9, default: 3)

Tie ins
4
Number of tie in stitches (0-10, default: 4)

Tie offs
2
Number of tie off stitches (0-10, default: 2)

Thread break ties
0
Number of tie stitches made after a thread break (0-10, default: 0)

Tie stitch length
0.5
Length of a tie stitch in mm (0.1-5, default: 0.5)

B Advanced

4. Pour accéder aux paramètres avancés, sélectionnez le bouton (B) et ajoutez les données d'entrée.

NOTICE NOTICE: Si vous n'êtes pas sûr des réglages du nombre de points de la machine à broder utilisée avec le site ITCU, consultez le manuel de votre machine à broder.

24 Remarques

Unlock your potential

Coloreel is a Swedish textile innovation brand with groundbreaking technology that enables high-quality coloring of textile thread on demand, unlocking a world of potential.

If you have questions contact us at:

info@coloreel.com

Follow us on the web or social media



Coloreel
Gjuterigatan 9
553 18 Jönköping
Sweden

www.coloreel.com

COLOREEL